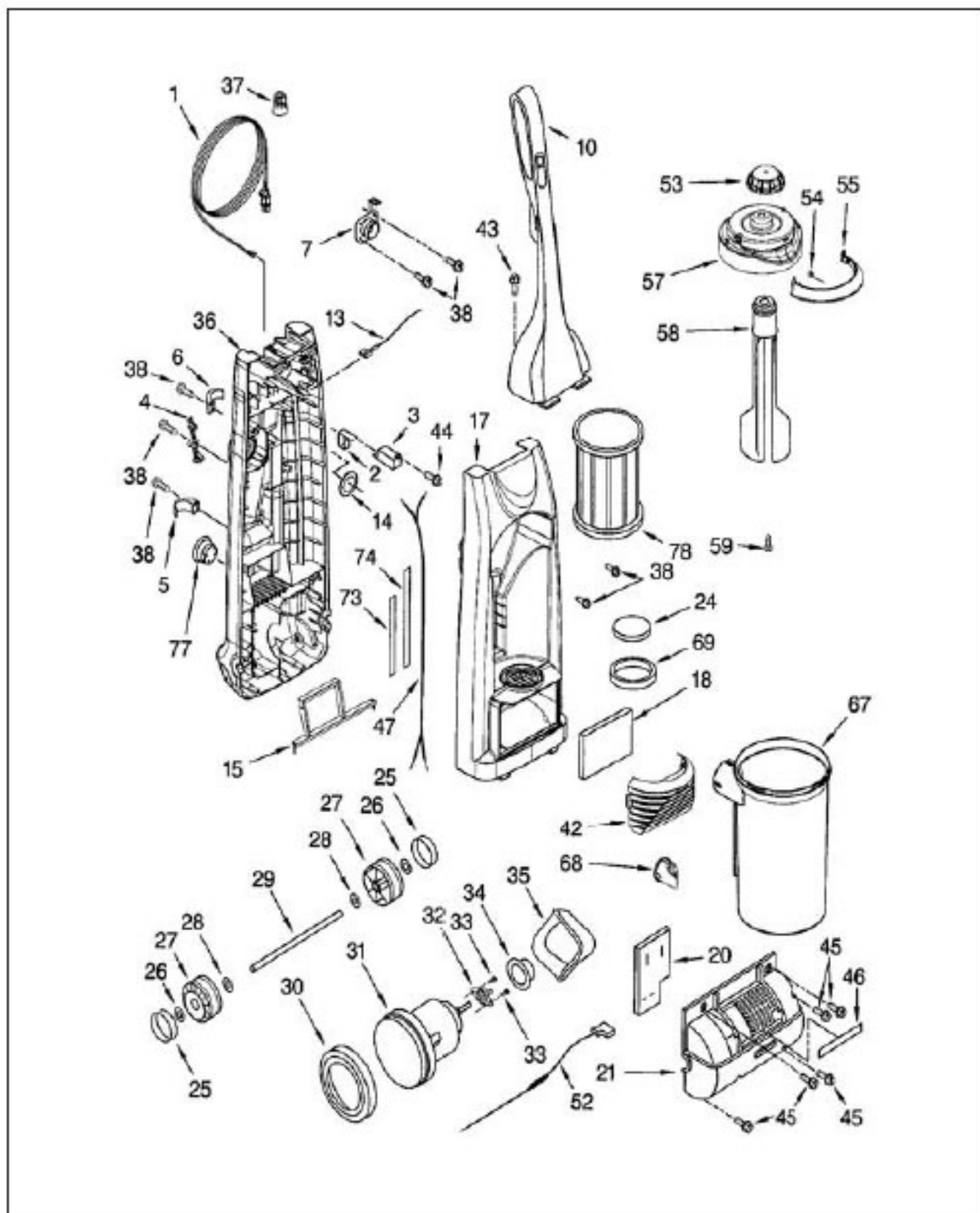


KENMORE Original & Replacement

UPRIGHT VACUUM Model 116.32728200



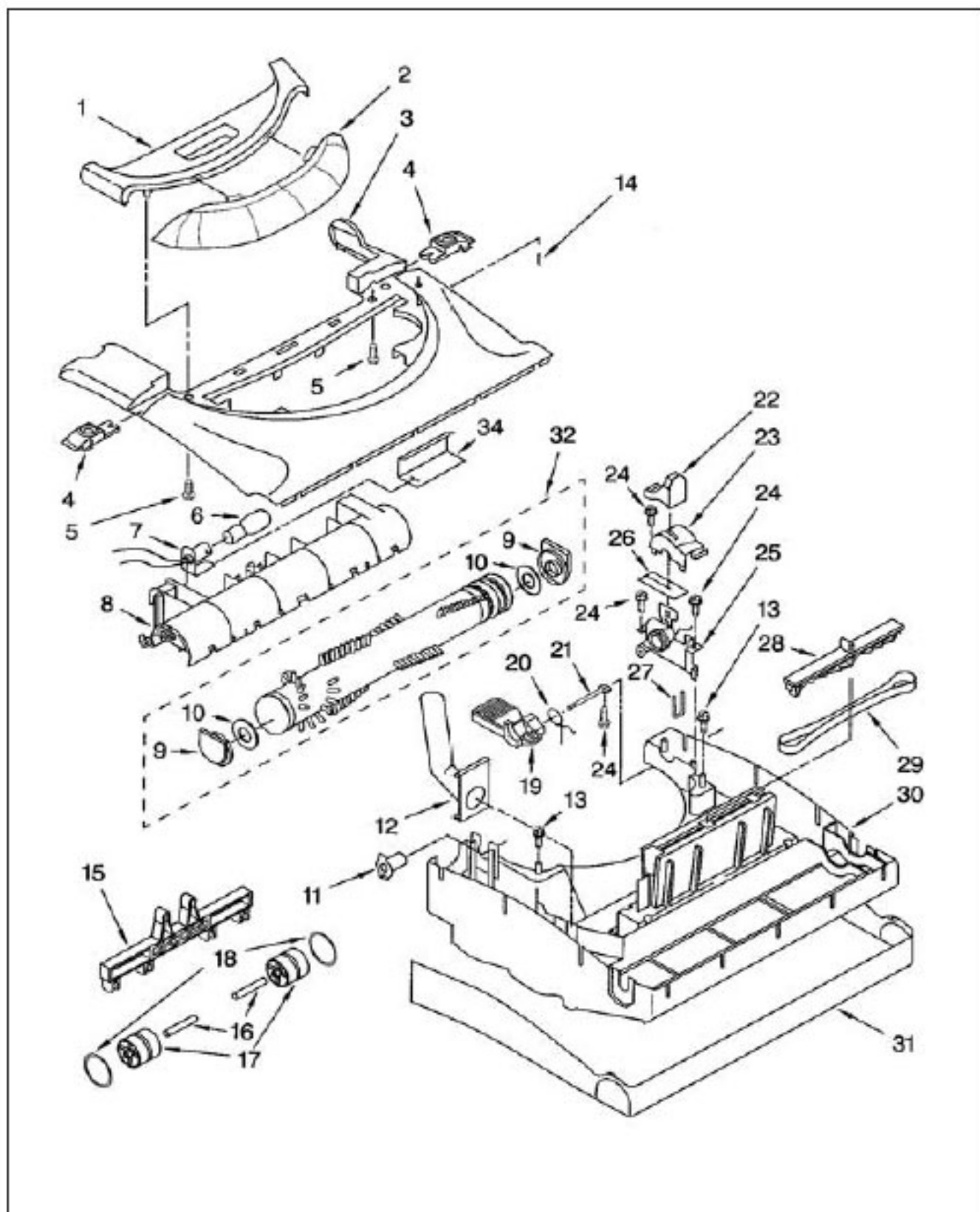
Original & Replacement **KENMORE** UPRIGHT VACUUM Model 116.32728200

KEY	PART NO.	DESCRIPTION
1	FA-3040	Cord, power
2	KE-4370396	Lever, on-off switch
3	KE-4368653	On-off switch, above, floor
4	KE-4370400	Holder
5	KE-4370399	Holder, hose
6	KE-4370392	Holder, wand
7	NLA	Bag supporter
10	KE-8191574	Handle assembly (complete)
13	KE-4370427	Wire, black lead
14	KE-4370575	Suction inlet packing
15	KE-8191575	Packing, dust container
17	KE-8191594	Cover, dust
18	KER-1800	Filter sears no. 20-86889
20	KE-8191577	Filter, exhaust
21	KE-8191578	Case, motor
24	KE-8191579	Filter
25	KE-4370240	Cushion, rubber
26	KE-4369564	Stopper, wheel (2)
27	KE-4370177	Wheel, rear
28	KE-4369562	Washer, wheel
29	KE-4369561	Shaft, rear wheel
30	KE-4370404	Support, rubber mount (front)
31	KE-8191580	Hose, flexible
32	KE-4370266	Flange, motor
33	KE-4370284	Screw, flange
34	KE-4370265	Support, rubber motor (front)
35	KE-4369569	Suppressoer, noise
36	KE-8191595	Compartment, dust
37	SS-3270	Wire Connector
38	KE-4368563	Screw, motor, case mounting
42	KE-8191582	Cover, filter
43	KE-4370420	Screw, handle
44	KE-4370280	Screw, motor case mounting
45	KE-4368563	Screw, motor, case mounting
46	NLA	Packing, motor case (adhesive back)
47	KE-4370465	Wire, cord
52	KE-8191589	Lead wire, assembly
53	KE-8191556	Knob, filter
54	KE-8191592	Spring
55	KE-8191557	Handle
57	KE-8192122	Handle lid
58	KE-8192121	Cam, knocking
59	KE-4369085	Screw, knocking cam
67	KE-8192147	Case filter assembly
68	KE-8191569	Valve, grommett
69	KE-8191570	Dust packing
73	KE-4368606	Packing, motor case
74	NLA	Body packing (right)
77	KE-8191895	Protector assembly
78	KER-1810	Filter unit

NLA = No Longer Available

KENMORE Original & Replacement

UPRIGHT VACUUM Model 116.32728200

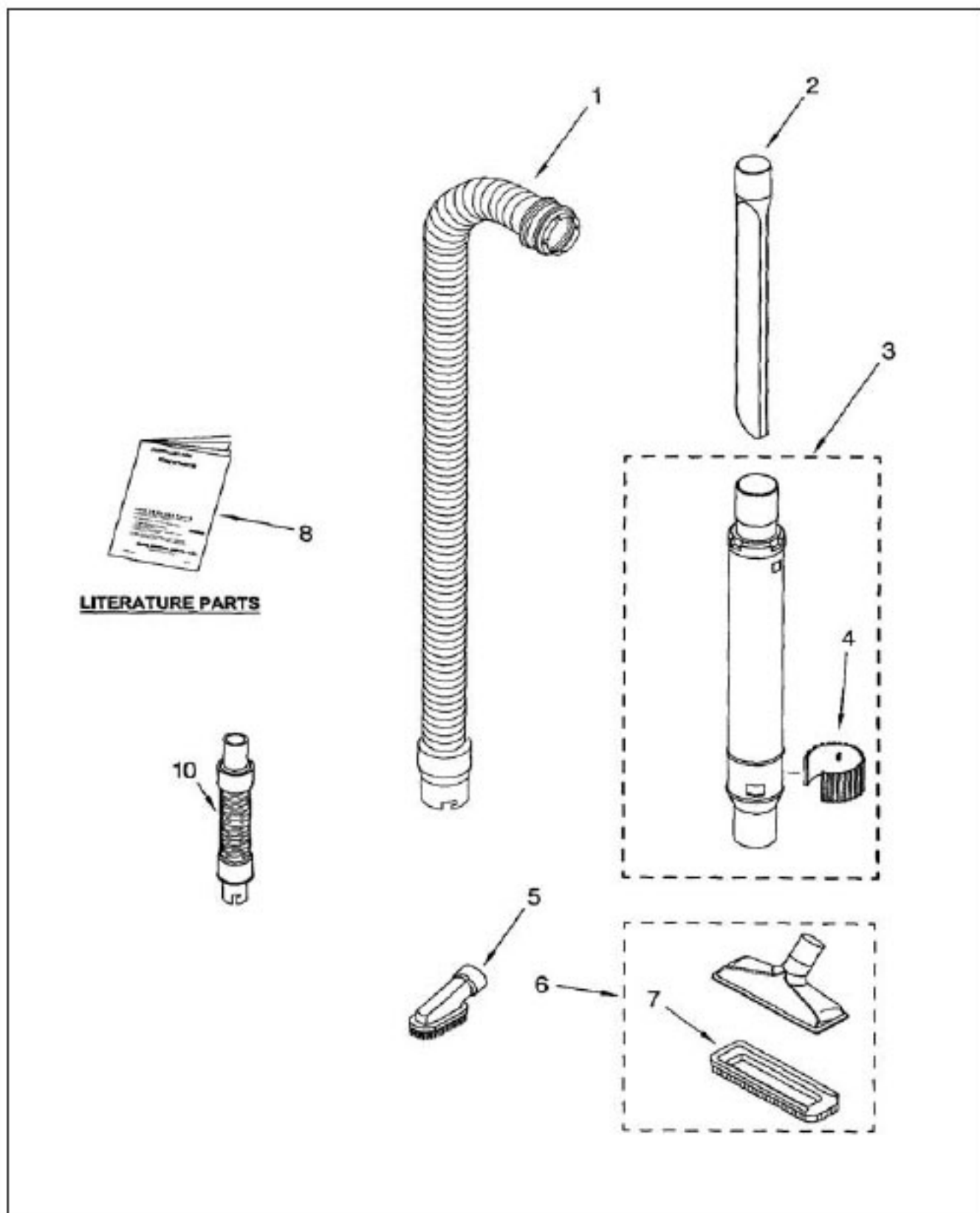


Original & Replacement **KENMORE**
UPRIGHT VACUUM Model 116.32728200

KEY	PART NO.	DESCRIPTION
1	KE-8192053	Cover, light
2	KE-4370410	Window
3	KE-8191552	Housing, nozzle
4	KE-8191553	Latch, nozzle - left side
4A	KE-8191554	Latch, nozzle - right side
5	KE-4368563	Screw, motor, case mounting
6	FA-3515	Bulb, light sears no. 20-5240
7	KE-4369526	Socket, bulb
8	KE-8174976	Cover, agitator, brush
9	KE-8192018	Bearing holder
10	KE-8192144	Spacer
11	KE-4369527	Shaft, wheel
12	KE-4370263	Bearing, nozzle
13	KE-4369606	Screw, retaining
14	KE-4370274	Spring, pedal
15	KE-4369543	Cam, height adjustment
16	KE-4369499	Shaft, roller (2)
17	KE-4370182	Wheel, cam (2)
18	KE-4370183	Cushion, cam rubber
19	KE-4370394	Pedal
20	KE-4370258	Spring, pedal
21	KE-4370259	Shaft, pedal
22	KE-4370260	Cover, foot pedal
23	KE-8191555	Cover, belt
24	KE-4368563	Screw, motor, case mounting
25	KE-8195180	Shifter, belt
26	KE-4370544	Nozzle, packing
27	KE-4369535	Guard, belt
28	KE-4369542	Sliding knob height adjustment
29	PR-1015	Belt, sears no. 20-5275
30	KE-8174966	Lower plate assembly
31	KE-8174967	Guard, furniture
32	KE-8192015	Agitator assembly
34	KE-4370433	Reflector, nozzle

KENMORE Original & Replacement

UPRIGHT VACUUM Model 116.32728200



Original & Replacement **KENMORE**
UPRIGHT VACUUM Model 116.32728200

KEY	PART NO.	DESCRIPTION
1	KE-8191584	Hose, flexible
2	KE-4388884	Tool, crevice *sears no. 20-52631
3	KE-4388888	Wand, telescopic
4	KE-4388996	Regulatory, suction
5	KE-4388881	Brush, combination
6	KE-4388609	Brush, combination
7	KE-4388610	Holder, brush
10	KE-8191834	Hose unit