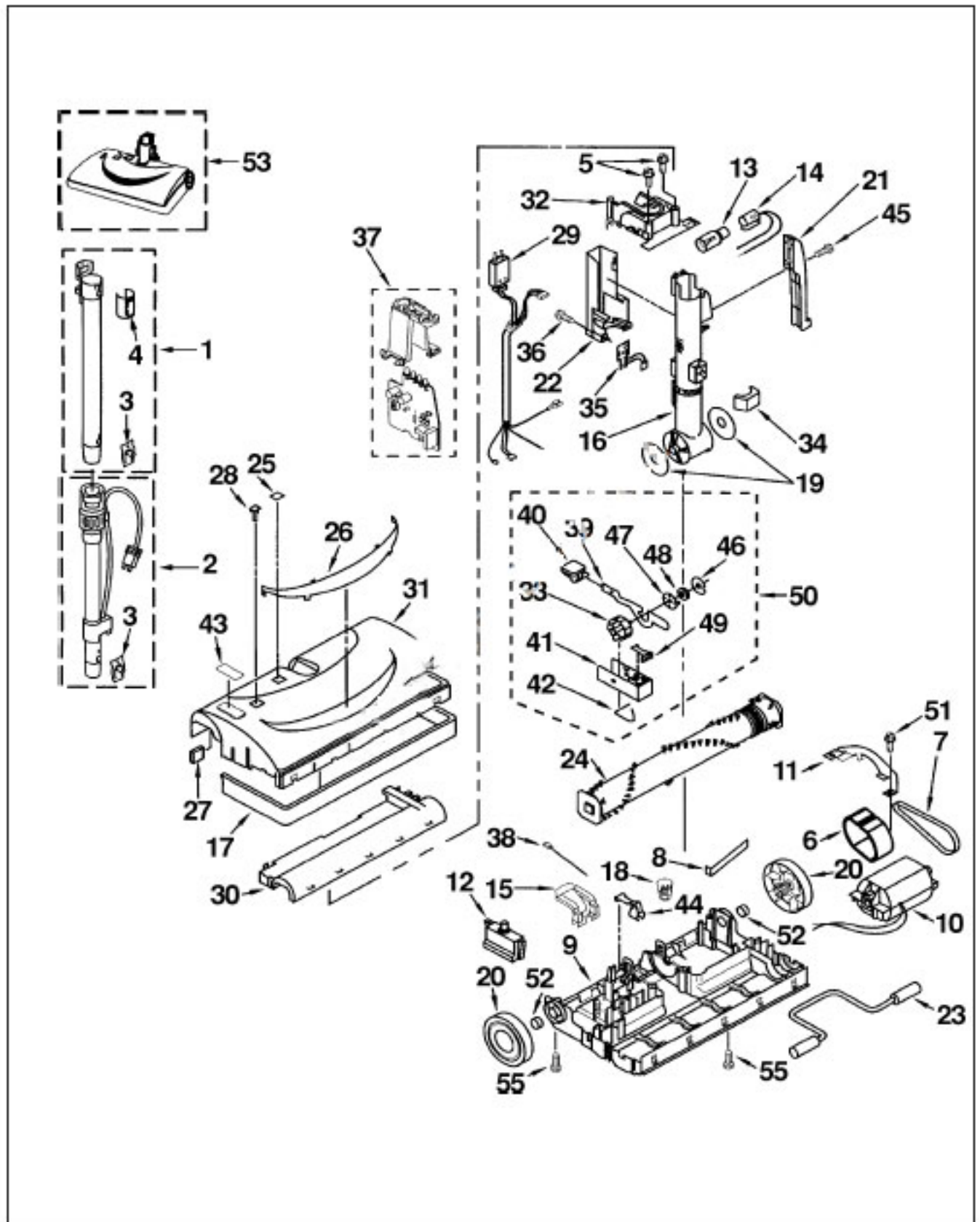


PANASONIC

Original & Replacement

Model V9658



Original & Replacement **PANASONIC**

Model V9658

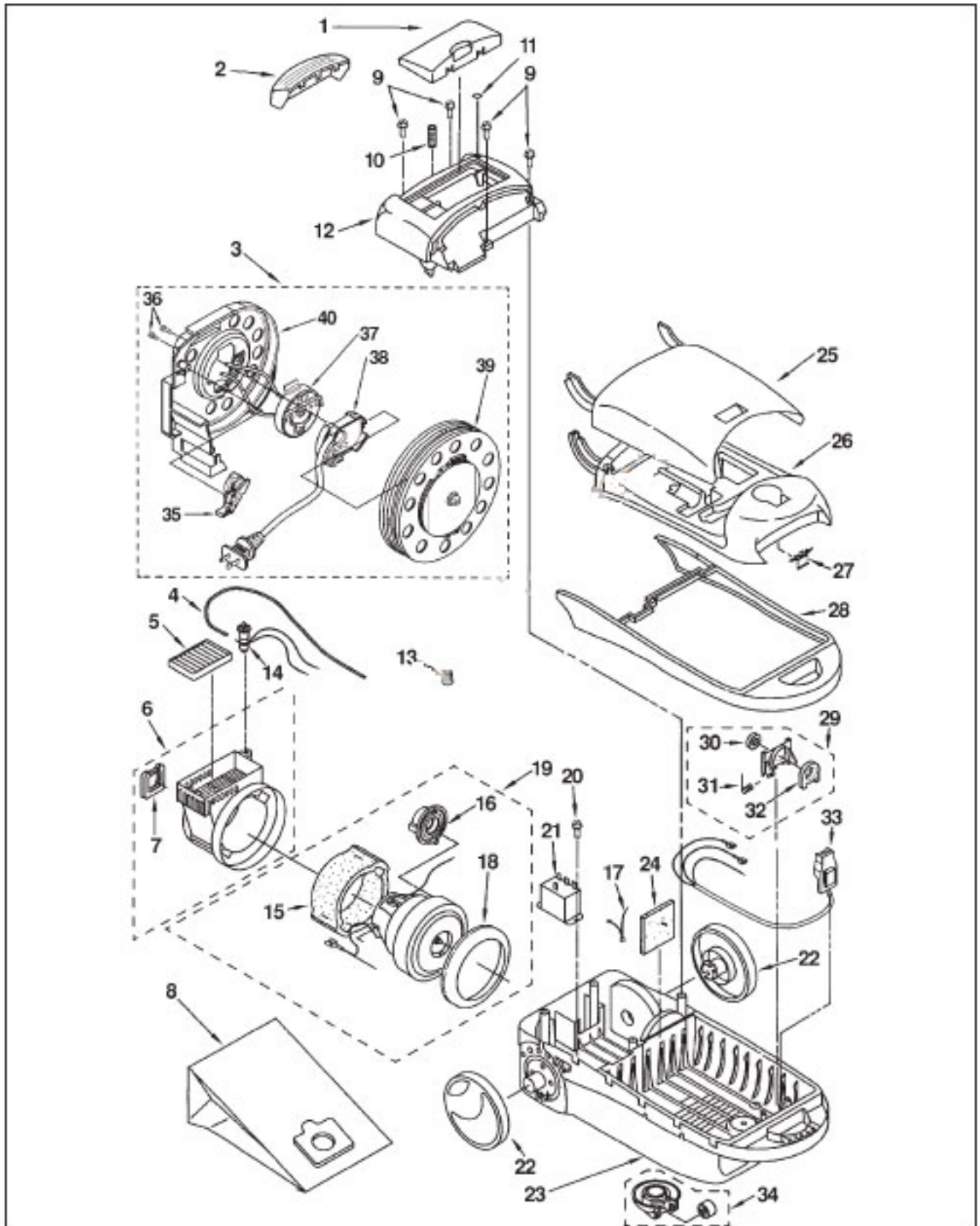
PARTS LIST (POWER NOZZLE)

KEY	PART NO.	DESCRIPTION	KEY	PART NO.	DESCRIPTION
1	P-50054	Wand, Upper	27	P-37KAKSZ000	Filter, Intake
2	P-50072	Wand, Lower W/Cord	28	P-13DAUJZVU6	Extension Button
3	P-725-419	Lock, Spring Wand	29	P-87VAXEZV06	Lead Wire
4	P-70QBPJZV06	Quick Release	30	P-01QAKTZW03	Cover, Brushroll
5	P-881-550	Screw	31	P-02RCRXZBUZ	Nozzle Cover
6	P-747-156	Gasket, Motor	32	P-62VAKTZV06	Cap, Swivel
7	P-MC330B	Serpentine Belt (Type CB-6)	33	P-747-291	Cam Indicator
7	KER-1079	Serpentine Belt (Type CB-6)	34	P-75547	Front Cover
8	P-742-002	Spring, Motor Adjust	35	P-85VGJZ00	PCB Ass'y, Swivel (Mini)
9	P-72152	Base	36	P-XTN4+24BFY	Screw
10	P-80521	Motor, Nozzle	37	P-87GGJZU01	PCB Ass'y, P/N (Main)
11	P-705-093	Bridge, Motor	38	P-85GAXEZ000	Lead Wire
12	P-97KAXEZV04	Overload Protector	39	P-747-287	Lever, Indicator
13	FA-3515	Bulb	40	P-48AMGZV06	Pad, Foot Pedal
14	P-93HABFZ00	Socket, Bulb	41	P-742-015	Indicator Block
15	P-73723	Release, Pedal	42	P-725-775	Spring Assist
16	P-72424	Swivel	43	P-33MGJZ00	Window, Dust Sensor
17	P-10AAKTZV06	Furniture Guard	44	P-742-013	Lifter
18	SS-3270	Wire Nut	45	P-7701	Screw
19	P-742-019	Seal, Swivel	46	P-722-906	Washer, Thrust
20	P-71062	Wheel, Rear	47	P-722-955	Catch, Indexing
21	P-70QBEXZV06	Pedal, Quick Release	48	P-705-635	Washer
22	P-89QAENZV06	Rear Cover	49	P-742-016	Ratchet, Catch
23	P-744-029	Axle, Ass'y, Front	50	P-83MAKSZV06	Indicator Block
24	P-20006	Brushroll, Serpentine W/Square End Caps	51	P-881-297	Screw
25	P-21HGJZ00	Lens, Height Adjustment	52	P-84CAKTZ000	Bushing
26	P-21HAKTZ000	Lens, Light Cover	53	P-50XCRXZB0Z	Power Nozzle Ass'y

PANASONIC

Original & Replacement

Model V9658



Original & Replacement **PANASONIC**

Model V9658

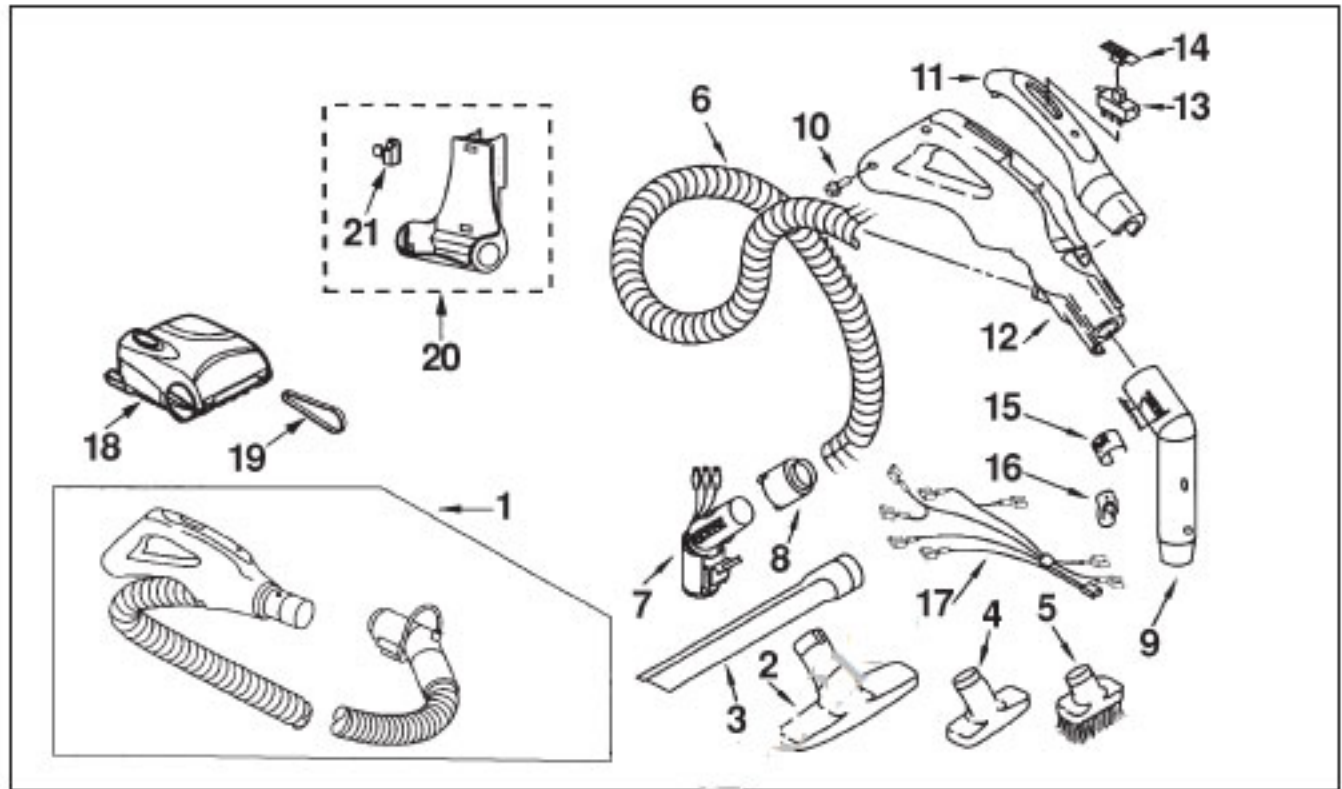
PARTS LIST (CANISTER & CORD REEL)

KEY	PART NO.	DESCRIPTION	KEY	PART NO.	DESCRIPTION
1	P-41KBAKZBUZ	Filter Cover	21	P-38027	Relay
2	P-48NAKTZV08	Button, Cord Rewind	22	P-99CAKTZV07	Wheel, Rear
3	P-30786	Cord Reel Ass'y With Stopper	23	P-03AAUYZV07	Lower Body
4	P-82PAKTZ000	Tube, Switch	24	P-18078	Filter, Secondary
5	P-18047	Exhaust Filter (HEPA)	25	P-74PCRZXZBUZ	Tool Storage Cover
6	P-93FAUXZ000	Motor Shield	26	P-60KCRXZBUZ	Dust Cover
7	P-03FAKTZ000	Motor Support Rubber	27	P-01DAKTZV07	Latch, Dust Cover
8	P-MC150M	Paper Bag C5 Microfiltration 3 Pk	28	P-31AAXAZV08	Furniture Guard
8	KER-14551	Paper Bag C5	29	P-11KAKTZR01	Mount, Bag
		DVC Microlined 3 Pk	30	P-84HAKTZ000	Packing (Inlet)
8	KER-14550	Paper Bag C5	31	P-708-024	Spring, Bag Mount
		Microfiltration ENV 3 Pk	32	P-03LAKTZ000	Gasket, Bag Mount
9	P-414-8999	Screw, Canopy Cover	33	P-90EAKTZV08	Receptacle
10	P-744-258	Spring, Cord Rewind Button	34	P-93CAKTZV07	Castor, Swivel Ass'y
11	P-08MCRXZ000	Window, Indicator	35	P-94NAKTZV08	Brake Lever Ass'y
12	P-95HAUYZBUZ	Canopy Cover	36	P-77020	Screw
13	SS-3270	Wire Nut	37	P-19NAVAZ000	Contact Base Ass'y
14	P-98MAKTZ000	Performance Indicator Light	38	P-98NAKTZ000	Contact Disc Ass'y
15	P-99GAKTZ000	Noise Suppressor	39	P-01NAKTZ000	Cord Reel Hub Ass'y
16	P-03FAXAZ000	Motor Support (Rear)	40	P-04AGEEZV07	Cord Reel Bracket
17	P-81GAWAZ000	Lead Wire			
18	P-02FBUYZ000	Motor Support (Front)			
19	P-80188	Motor Ass'y			
20	P-XTN4+14BFY	Screw			

PANASONIC

Original & Replacement

Model V9658



PARTS LIST (POWER NOZZLE)

KEY	PART NO.	DESCRIPTION	KEY	PART NO.	DESCRIPTION
1	P-40478	Hose Ass'y	11	P-88GASMZB0Z	Switch Cover
2	P-96RAKTZV08	Floor Brush	12	P-93BASMZV08	Handle Ass'y
3	P-80RAKZZV08	Crevice Tool	13	P-09ESTZ000	Switch
4	P-88RAKZZV08	Upholstery Brush	14	P-99EAUJZVU8	Decal, Switch
5	P-88RAJRZV08	Dusting Brush	15	P-50523	Suction Control
6	P-05PAEPZV08	Hose Only	16	P-415-2093	Spring Wand Lock Ass'y
7	P-92PCAZZV08	Swivel Ass'y	17	P-37GSTZV08	Wire Harness
8	P-22PAFZZV08	Adapter, Hose	18	P-85PCSUZV0N	Power Nozzle (Mini)
9	P-98PSTZV08	Curved Pipe	19	P-28SBPKZ000	Belt, Power Nozzle (Mini)
10	P-XTN4+12BFY	Screw	20	P-86BPBKZV08	Attachment Caddy
			21	P-82DBPJZV08	Locking Clip