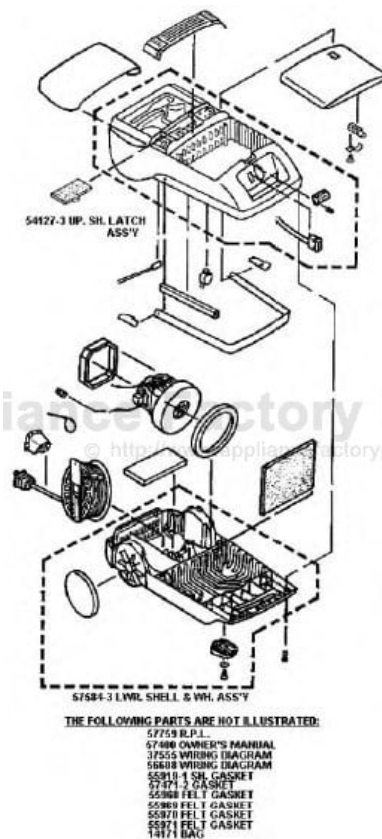


This Owner's Manual is provided and hosted by [Appliance Factory Parts](http://ApplianceFactoryParts.com).



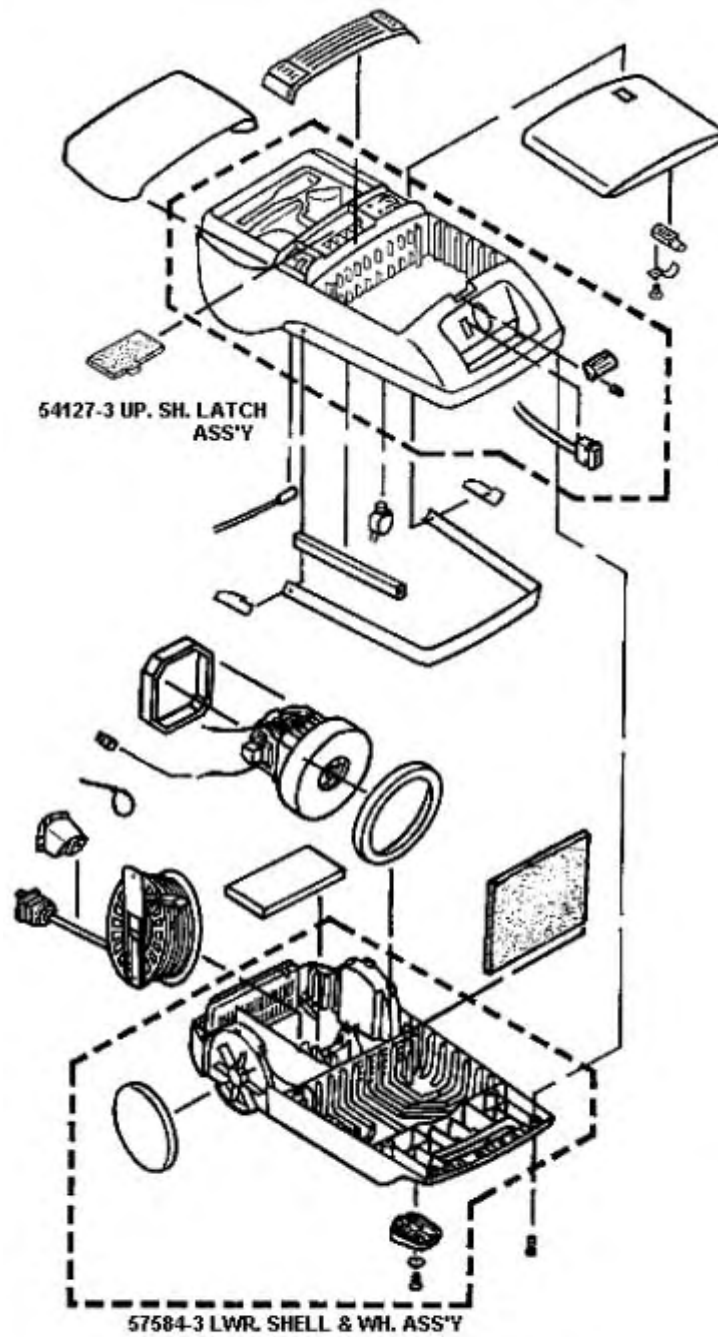
Kenmore 860.22750 Owner's Manual

[Shop genuine replacement parts for Kenmore
860.22750](#)



[Find Your Kenmore Vacuum Cleaner Parts - Select From 745 Models](#)

----- Manual continues below -----

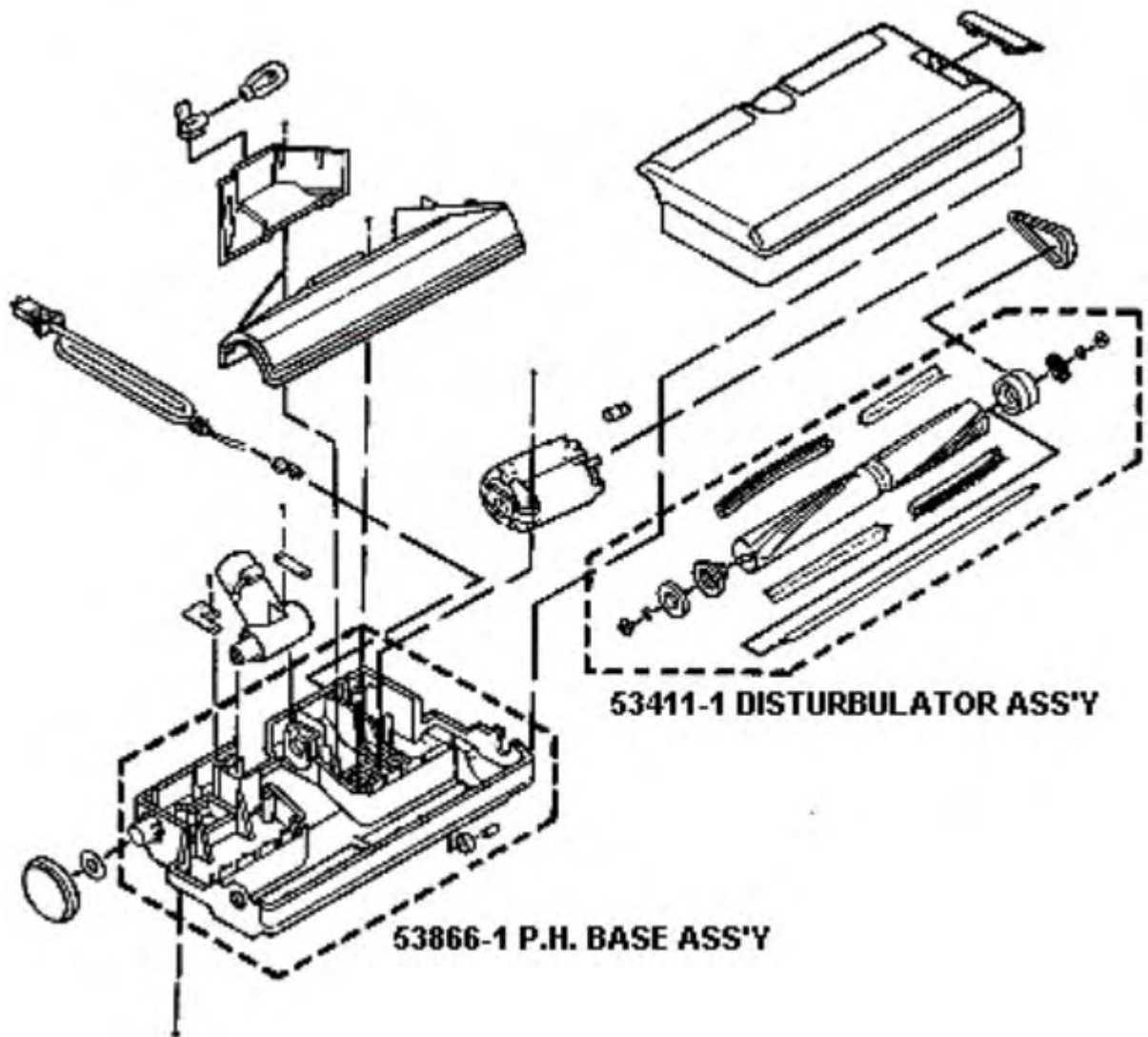


THE FOLLOWING PARTS ARE NOT ILLUSTRATED:

- 57759 R.P.L.
- 57400 OWNER'S MANUAL
- 37555 WIRING DIAGRAM
- 56608 WIRING DIAGRAM
- 55919-1 SH. GASKET
- 57471-2 GASKET
- 55968 FELT GASKET
- 55969 FELT GASKET
- 55970 FELT GASKET
- 55971 FELT GASKET
- 14171 BAG

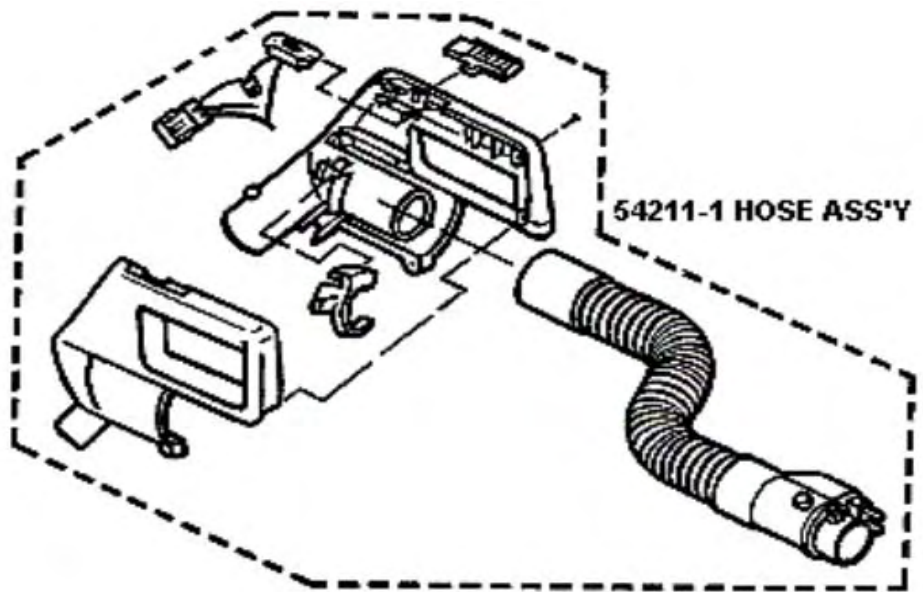
MAIN UNIT - 6885A - 860.22750

Ref #	Part	Description	Comments	Qty
1	26440-20	WHEEL - REAR		
2	26651-4	CONNECTOR ASSEMBLY		
3	26715	GASKET - MOTOR MOUNTING		
4	27009-1	BUTTON - LATCH		
5	36341-3	SWITCH - PUSH		
6	37403-1	CASTER		
7	37657	FILTER - MOTOR		
8	37761-1	BAG INDICATOR ASSEMBLY		
9	37966	SOUND FOAM		
10	38071-1	CLIP - FURNITURE GUARD (R		
11	38072-1	CLIP - FURNITURE GUARD (L		
12	38083	EXHAUST FILTER		
13	46713-1	TIE - CABLE (PURCHASED)		
14	53197-1	SCREW PACKAGE		
15	53214-2	WIRE SPLICE 5		
16	53238-1	SCREW PKG (EW312-6T5Z		
17	53238-8	SCREW PACKAGE		
18	54128-2	BAG COVER & GRPHCS ASSY -		
19	54292	MOTOR ASSY - CTND		
20	55446	NUT - HEX		
21	55463	GASKET - MOTOR STACK		
22	55794	SPRING		
23	55919-1	GASKET - SHELL		
24	55968	GASKET - FELT		
25	55969	GASKET - FELT		
26	55970	GASKET - FELT		
27	55971	GASKET - FELT		
28	56326-1	WIRE TUBE (NLA)		
29	56376	WASHER		
30	56750	CLIP - BAG INDICATOR		
31	57471-2	GASKET-SHELL (57471- (NLA)		
32	57720	THERMOSTAT		



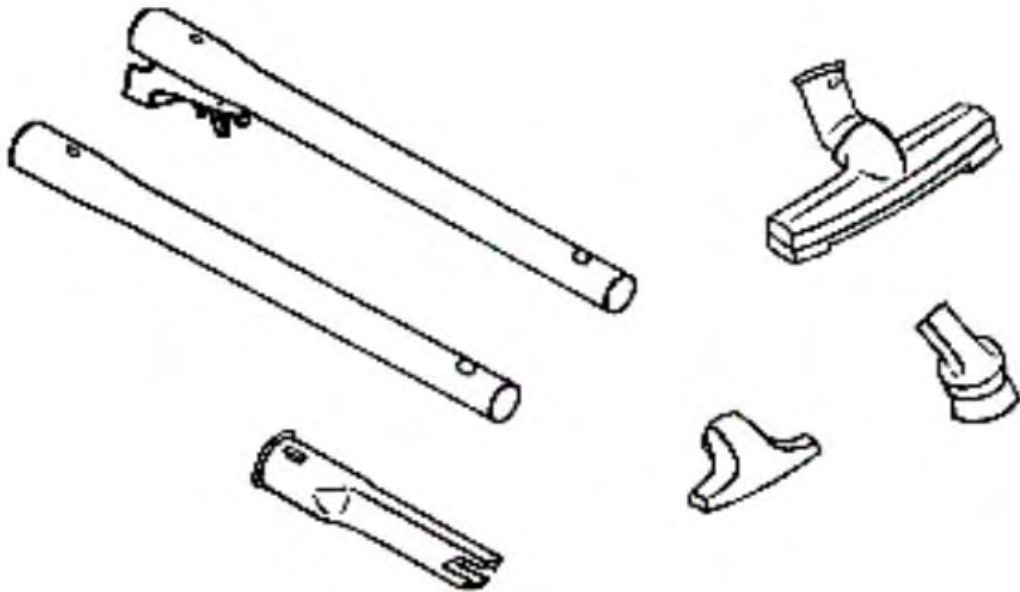
POWERHEAD - 6885A - 860.22750

Ref #	Part	Description	Comments	Qty
1	13650	TUBE - DISTURBULATOR		
2	26159-7	MOTOR ASSEMBLY - CARTONED		
3	26469-1	WINDOW - BELT		
4	36943	BELT - DRIVE		
5	37429	DISTURBULATOR REPAIR KIT		
6	37434-8	WHEEL - REAR		
7	37578	DISTURBULATOR REPAIR KIT		
8	37579	Discontinued, use 52995		
9	37755-1	CORD & SPRING ASSY		
10	40009A	LAMP - HEADLIGHT		
11	52988-2	BRISTLE STRIP SET		
12	53158	LOCK NUT PACKAGE		
13	53167	WASHER - SHAFT PACKAGE		
14	53190-1	BUSHING - STRAIN RELIEF-P		
15	53214-2	WIRE SPLICE 5		
16	53238-18	SCREW PACKAGE		
17	53238-19	SCREW PACKAGE		
18	53238-8	SCREW PACKAGE		
19	53242	DISTURBULATOR CAP		
20	53243	CAP - DISTURBULATOR		
21	53411-1	DISTURBULATOR ASSY - CRTN		
22	53866-1	POWERHEAD BASE ASSY - PAC		
23	54016-14	POWERHEAD HOOD ASSY - PAC		
24	55979	SPRING STRAP		
25	55980	STRAP		
26	56180	FELT WASHER		
27	56232-1	DISTURBULATOR COVER ASSEM		
28	56489	AXLE		
29	56698-1	AIR DUCT COVER ASSEMBLY		
30	56824	WHEEL & SLEEVE ASSEMBLY		
31	56830-1	HANDLE SOCKET & CORD KIT		



HOSE - 6885A - 860.22750

Ref #	Part	Description	Comments	Qty
1	37774-1	SWITCH & CONNECTOR ASSY		
2	37789-8	COVER - BLEEDER		
3	38124-8	COVER & GRAPHICS (38124-9		
4	53257-1	SCREWS - PACKAGE 10		
5	54009-5	HANDLE ASSY 2 WIRE (PACKA		
6	54211-1	HOSE ASSEMBLY - CARTONED		



Ref #	Part	Description	Comments	Qty
1	26708-1	TOOL - CREVICE		
2	34691-7	UPHOLSTERY NOZZLE ASSY -		
3	37737	WAND - LOWER		
4	37738-1	UPPER WAND ASSEMBLY		
	37774-1	SWITCH & CONNECTOR ASSY		
	37789-8	COVER - BLEEDER		
	38124-8	COVER & GRAPHICS (38124-9		
8	45947-7	DUSTING BRUSH - PACKAGED		
	53257-1	SCREWS - PACKAGE 10		
10	53355-5	FLOOR & WL BRUSH & ELBOW-		
	54009-5	HANDLE ASSY 2 WIRE (PACKA		