

This Owner's Manual is provided and hosted by [Appliance Factory Parts](#).



Kirby G6 GENERATION 6 Owner's Manual

[Shop genuine replacement parts for Kirby G6
GENERATION 6](#)



[Find Your Kirby Vacuum Cleaner Parts - Select From 64 Models](#)

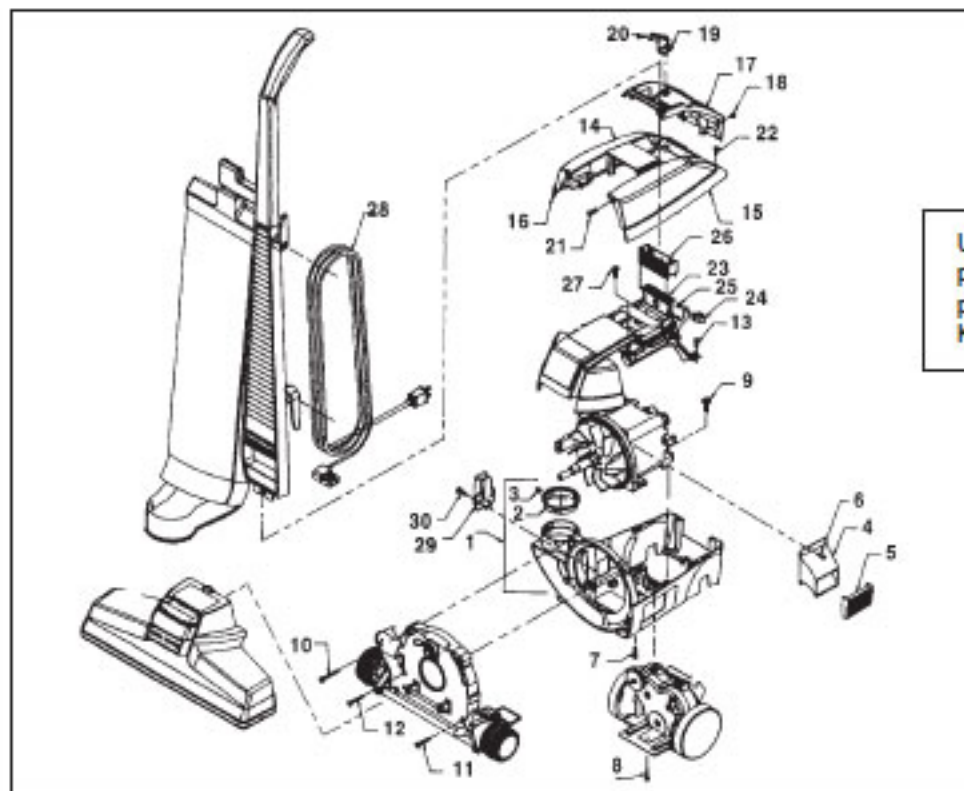
----- Manual continues below part list -----

Available Replacement Parts for Kirby G6 GENERATION 6

| | |
|--------------------------|-----------------------------|
| 1211 | RUBBER PLUG FOR HERMIDIFIER |
| K-301291 | BELT, W/INSIDE TRACK, 1PK |

KIRBY Original

GENERATION 3, G4, G5, G6, ULTIMATE G, DIAMOND EDITION, SENTRIA



Use only KIRBY parts to insure top performance of KIRBY products.

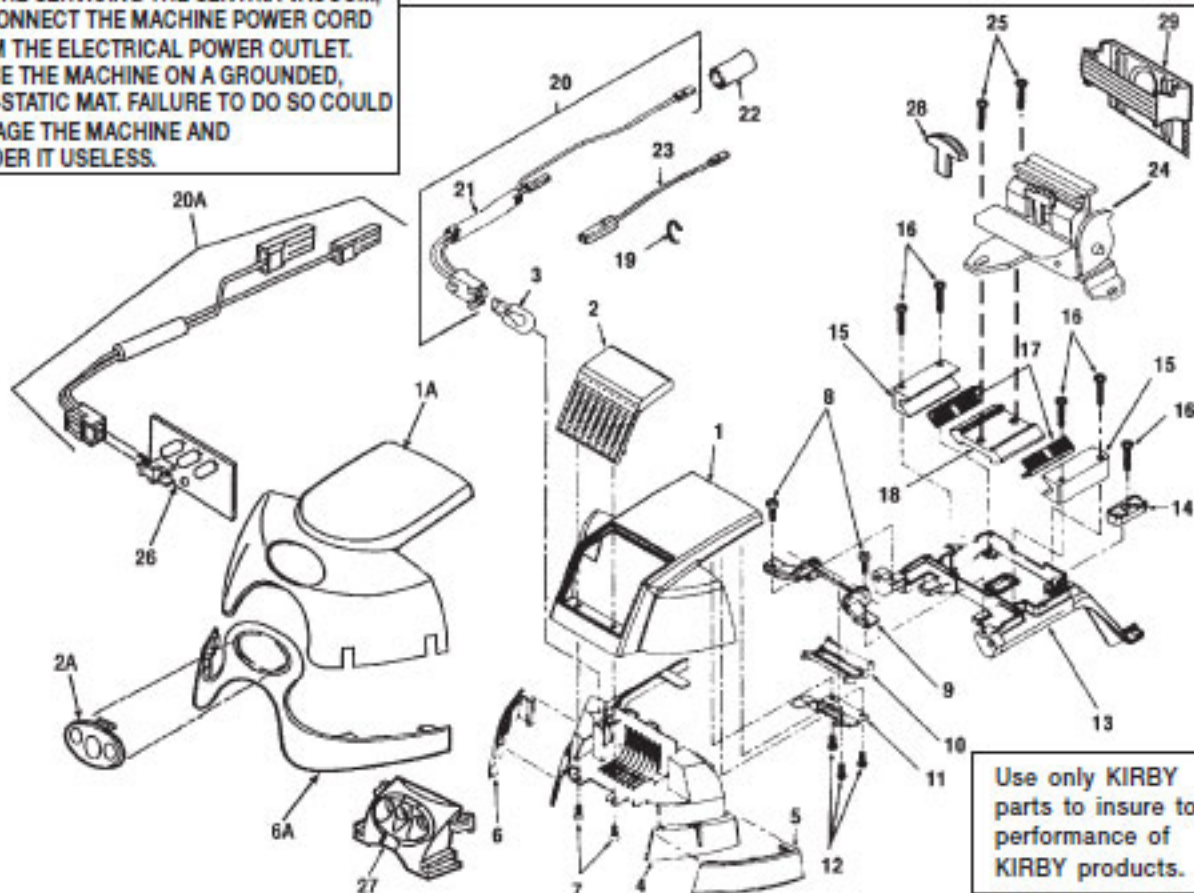
| KEY | PART NO. | DESCRIPTION | KEY | PART NO. | DESCRIPTION |
|-----|-----------|--|-----|----------|--|
| 1 | K-604389* | Base Sub-Ass'y | 17 | K-111206 | Scuff Plate Sentria |
| 2 | K-601989 | O-Ring - Horn Adaptor | 18 | K-631689 | Screw - Scuff Plate G3-Diamond Edition |
| 3 | K-100689 | Rivet - Horn Adaptor | 18 | K-111206 | Screw - Scuff Plate Sentria |
| 4 | K-106393 | Exhaust Duct | 19 | NLA | Cord Clip & Tie |
| 5 | K-104189 | Grill - Exhaust Duct G3 | 19 | NLA | Cord Clip & Tie G4 |
| 5 | K-104193 | Grill - Exhaust Duct G4 | 20 | K-232497 | Screw - Cord Clip |
| 5 | K-104199 | Grill - Exhaust Duct G5, G6 | 21 | K-125389 | Screw - Cover to Fan Case Front |
| 5 | K-104101 | Grill - Exhaust Duct Ultimate G, Diamond Edition | 22 | K-232497 | Screw - Cover to Base Rear |
| 5 | K-104106 | Grill - Exhaust Duct Sentria | 23 | K-671901 | Handle Pivot Spring Ass'y G3-Diamond Edition |
| 6 | K-148985 | Screw - Exhaust Duct | 23 | K-671906 | Handle Pivot Spring Ass'y Sentria |
| 7 | K-500090 | Screw - Base to Motor | 24 | K-672489 | Tilt Knob - Handle Pivot |
| 8 | K-500090 | Screw - Power Drive to Base | 25 | K-673289 | Screw - Tilt Knob G3 |
| 9 | K-600289 | Screw - Motor/Static Wire to Base | 26 | K-178689 | Boot - Handle Pivot G3 |
| 10 | K-134689 | Screw - Fan Case to Base Top | 26 | K-178697 | Boot - Handle Pivot G5 |
| 11 | K-125089 | Screw - Fan Case to Base Bottom | 26 | K-178699 | Boot - Handle Pivot G4, G6, Ultimate G |
| 12 | K-125189 | Screw - Fan Case Front Flat Head | 26 | K-178601 | Boot - Handle Pivot Diamond Edition |
| 13 | K-232497 | Screw - Slide Bracket to Base | 26 | K-178606 | Boot - Handle Pivot Sentria |
| 14 | NLA | Cover W/Trim Strips | 27 | K-672389 | Screw - Pivot Ass'y to Slide |
| 15 | K-630989 | Cover Trim Strip - Left G3 | 28 | K-192091 | Cord, W/out Boot G3 |
| 15 | K-630993 | Cover Trim Strip - Left G4 | 28 | K-192093 | Cord W/Clip G4 Dark Gray |
| 15 | K-630997 | Cover Trim Strip - Left G5 | 28 | K-192097 | Cord G5 Black Cherry |
| 15 | K-630999 | Cover Trim Strip - Left G6 | 28 | K-192099 | Cord G6 Black |
| 15 | K-630901 | Cover Trim Strip - Left Ultimate G, Diamond Edition | 28 | K-192001 | Cord Ultimate G, Diamond Edition Light Gray |
| 15 | K-630906 | Cover Trim Strip - Left Sentria | 28 | K-192006 | Cord Sentria Dark Gray |
| 16 | K-630889 | Cover Trim Strip - Right G3 | 29 | K-196091 | Cover - Cord Set G3 |
| 16 | K-630893 | Cover Trim Strip - Right G4 | 29 | K-196093 | Cover - Cord Set G4 |
| 16 | K-630897 | Cover Trim Strip - Right G5 | 29 | K-196099 | Cover - Cord Set G5, G6 |
| 16 | K-630899 | Cover Trim Strip - Right G6 | 29 | K-196001 | Cover - Cord Set Ultimate G, Diamond Edition |
| 16 | K-630801 | Cover Trim Strip - Right Ultimate G, Diamond Edition | 29 | K-196006 | Cover - Cord Set Sentria |
| 16 | K-630806 | Cover Trim Strip - Right Sentria | 30 | NLA | Screw - Cord Cover (Order K-232497) |
| 17 | K-111290 | Scuff Plate G3 | | K-233506 | Screw - Cord Clip To Cover Shell Sentria |
| 17 | K-111295 | Scuff Plate G4 | | K-233597 | Screw - Cord Clip & Scuff Plate G3- G5 |
| 17 | K-111297 | Scuff Plate G5 | | | |
| 17 | K-111299 | Scuff Plate G6 | | | |
| 17 | K-111201 | Scuff Plate Ultimate G, Diamond Edition | | | |

* SERIALIZED HOUSINGS ARE NOT CURRENTLY AVAILABLE FROM KIRBY

Original **KIRBY**

GENERATION 3, G4, G5, G6, ULTIMATE G, DIAMOND EDITION, SENTRIA Headlight Cap/Slide Bracket

BEFORE SERVICING THE SENTRIA VACUUM, DISCONNECT THE MACHINE POWER CORD FROM THE ELECTRICAL POWER OUTLET. PLACE THE MACHINE ON A GROUNDED, ANTI-STATIC MAT. FAILURE TO DO SO COULD DAMAGE THE MACHINE AND RENDER IT USELESS.

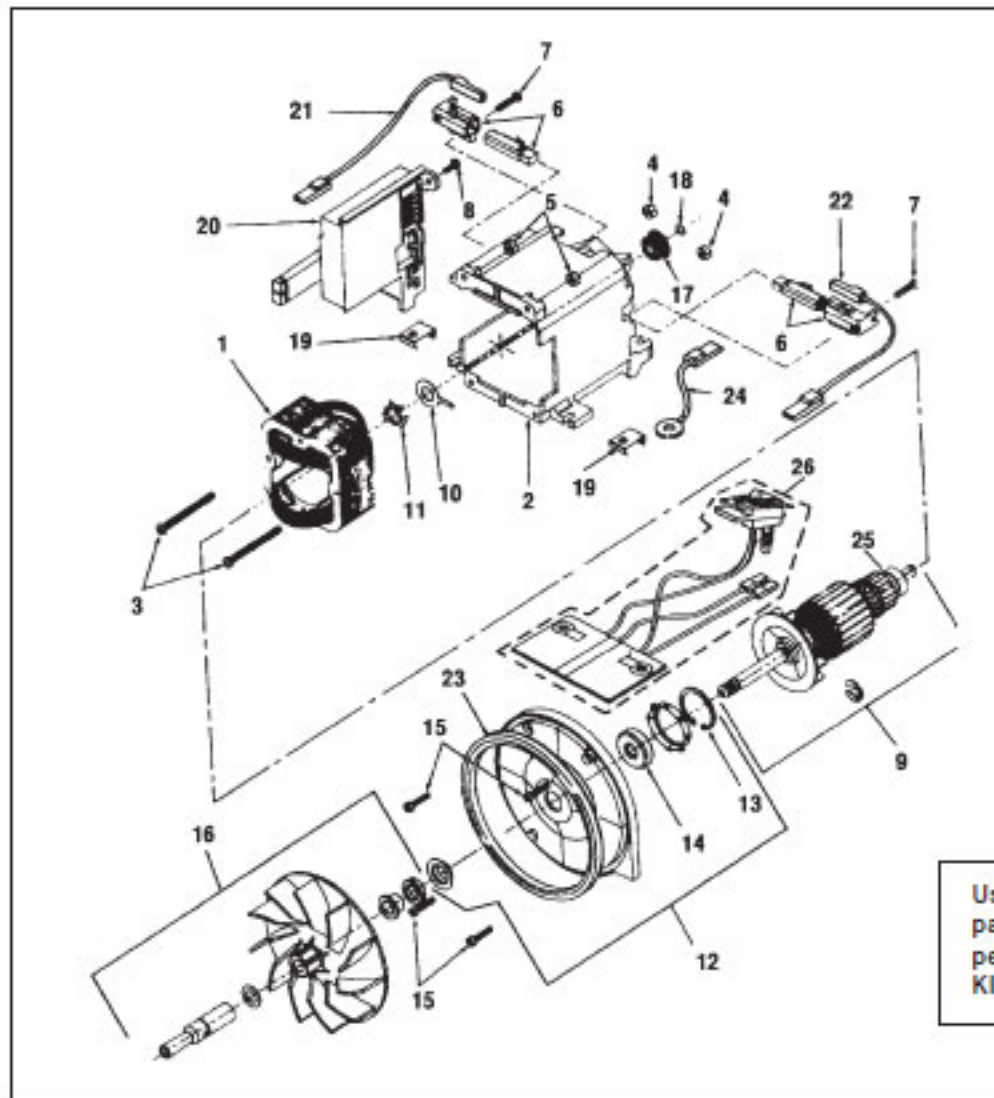


| KEY | PART NO. | DESCRIPTION |
|-----|----------|---|
| 1 | K-160089 | Headlight Cap - Less Trim G3, G4 |
| 1 | K-160097 | Headlight Cap - Less Trim G5-Diamond Edition |
| 1A | K-160006 | Headlight Cap Sentria |
| 2 | K-108589 | Lens - Headlight Cap G3, G4 |
| 2 | K-108597 | Lens - Headlight Cap G5-Diamond Edition |
| 2A | K-108506 | Lens - Headlight Cap Sentria |
| 3 | K-109289 | Light Bulb |
| 4 | K-161790 | Headlight Frame Bracket G3 |
| 4 | K-161793 | Headlight Frame Bracket G4 |
| 4 | K-161797 | Headlight Frame Bracket G5 |
| 4 | K-161799 | Headlight Frame Bracket G6-Diamond Edition |
| 4 | K-161706 | Headlight Frame Bracket Sentria |
| 5 | NLA | Headlight Trim Strip - Left G3 (Order K-161790) |
| 6 | NLA | Headlight Trim Strip - Right G3 (Order K-161790) |
| 6A | K-163506 | Trim Strip - Headlight Cap Sentria |
| 7 | K-162689 | Screw - Frame Bracket to Cap |
| 8 | NLA | Screw - Headlight Pivot to Slide Bracket (Order K-232497) |
| 9 | K-161389 | Headlight Pivot Casting |
| 10 | K-161689 | Bushing - Headlight Pivot |

| KEY | PART NO. | DESCRIPTION |
|-----|----------|--|
| 11 | K-162889 | Plate - Headlight Pivot |
| 12 | K-102168 | Screw - Plate to Headlight Pivot |
| 13 | K-170189 | Slide Bracket Casting |
| 14 | K-179489 | Wedge - Slide Adjustment |
| 15 | K-178789 | Guide Block - Slide Bracket |
| 16 | K-675590 | Screw - Guide and Wedge to Slide Bracket |
| 17 | K-178989 | Roller Bearing Ass'y |
| 18 | K-676592 | Slide W/Centering Spring Ass'y |
| 19 | K-608089 | Cable Tie - Lead Wires |
| 20 | K-603889 | Headlight Harness Ass'y G3-Diamond Edition |
| 20A | K-603806 | Headlight Harness Ass'y Sentria |
| 21 | K-660589 | Insulator Sleeve - Black |
| 22 | K-606889 | Insulator Sleeve - Clear |
| 23 | K-607189 | Headlight Jumper Wire |
| 24 | K-671901 | Handle Pivot Spring Ass'y G3-Diamond Edition |
| 24 | K-671906 | Handle Pivot Spring Ass'y Sentria |
| 25 | K-672389 | Screw - Pivot Ass'y To Slide |
| 26 | K-164306 | LED Circuit Board - Headlight Cap Sentria |
| 27 | K-163906 | LED Bracket - Headlight Cap Sentria |
| 28 | K-677506 | Tilt Knob Sentria |
| 29 | K-178606 | Rubber Boot - Handle Pivot Spring Sentria |

KIRBY Original

GENERATION 3, G4, G5, G6, ULTIMATE G, DIAMOND EDITION, SENTRIA Motor Unit Assembly

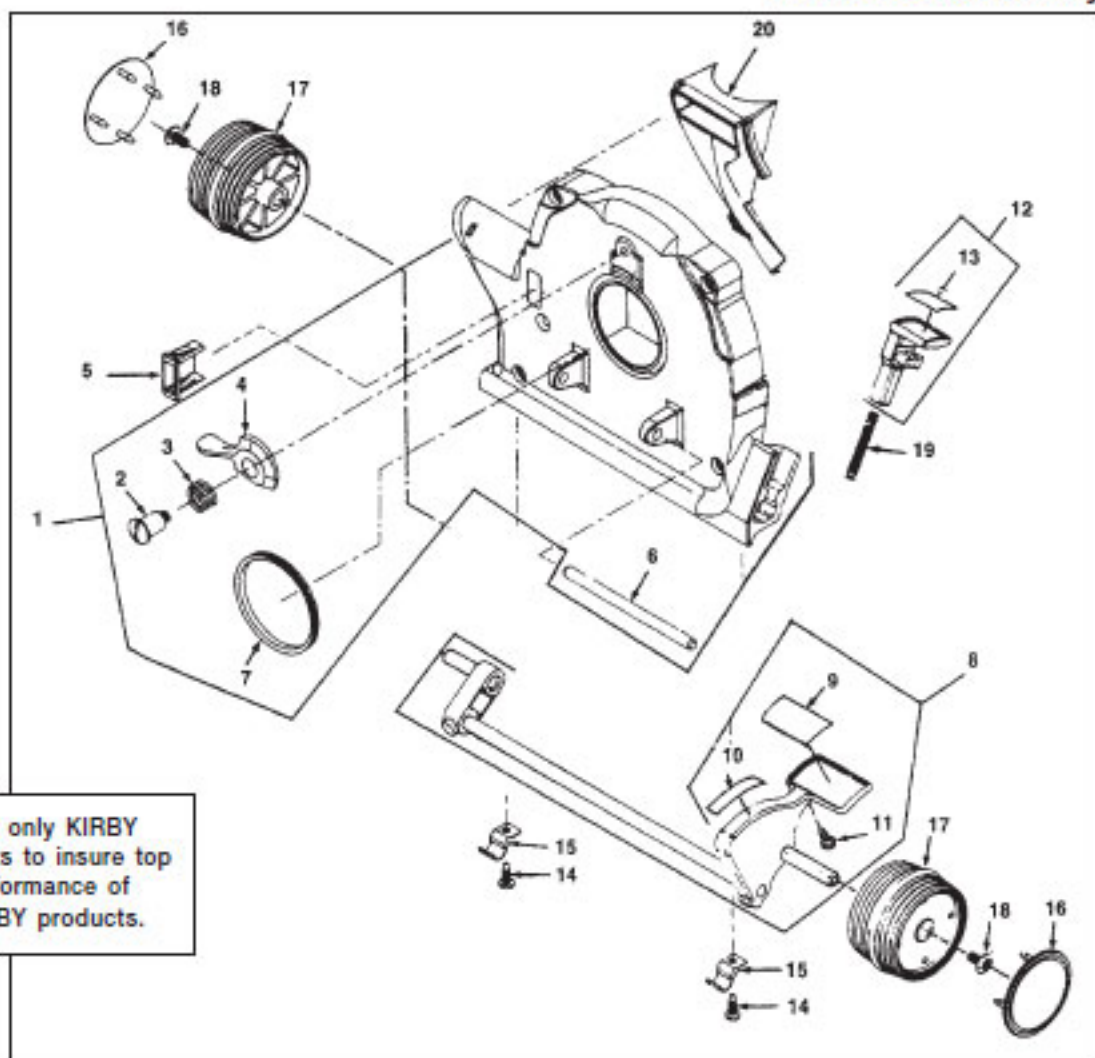


Use only KIRBY parts to insure top performance of KIRBY products.

| KEY | PART NO. | DESCRIPTION | KEY | PART NO. | DESCRIPTION |
|-----|----------|---------------------------------------|-----|----------|---|
| | K-101396 | Motor Ass'y G3-Sentria | 14 | K-116073 | Front Bearing |
| 1 | K-103989 | Field Coil | 15 | K-600189 | Screw - Bearing Plate to Motor Housing |
| 2 | K-100189 | Motor Housing | 16 | K-119092 | Fan Ass'y |
| 3 | K-104689 | Screw - Motor Field | 17 | K-243503 | Sprocket Gear - Motor G3-Ultimate G |
| 4 | K-600589 | Nut - Field Screw | 17 | K-550603 | Sprocket Gear - Motor Diamond Edition, Sentria |
| 5 | K-600589 | Nut - Bearing Plate to Motor Housing | 18 | K-556489 | Clip - Motor Drive |
| 6 | K-107189 | Brush Holder W/Brush | 19 | K-602289 | Clip - Motor Housing |
| 7 | K-107989 | Screw - Brush Cartridge | 20 | K-110590 | Power Switch G3-Sentria |
| 8 | K-148985 | Screw - Power Switch to Motor Housing | 21 | K-602889 | Brush Lead Ass'y - Right |
| 9 | K-114789 | Armature (W/Rear Bearing) | 22 | K-602989 | Brush Lead Ass'y - Left |
| 10 | K-601889 | Static Washer | 23 | K-600389 | Motor Seal |
| 11 | K-115674 | Finger Spring | 24 | K-603589 | Static Wire Ass'y |
| 12 | K-105789 | Bearing Plate Ass'y | 25 | K-115573 | Rear Bearing |
| 13 | K-101076 | Ring Retainer - Bearing Plate | 26 | K-632703 | Switch, Attachment Speed With Circuit Board Diamond Edition |

Original **KIRBY**

GENERATION 3, G4, G5, G6, ULTIMATE G, DIAMOND EDITION, SENTRIA Fan Case Assembly

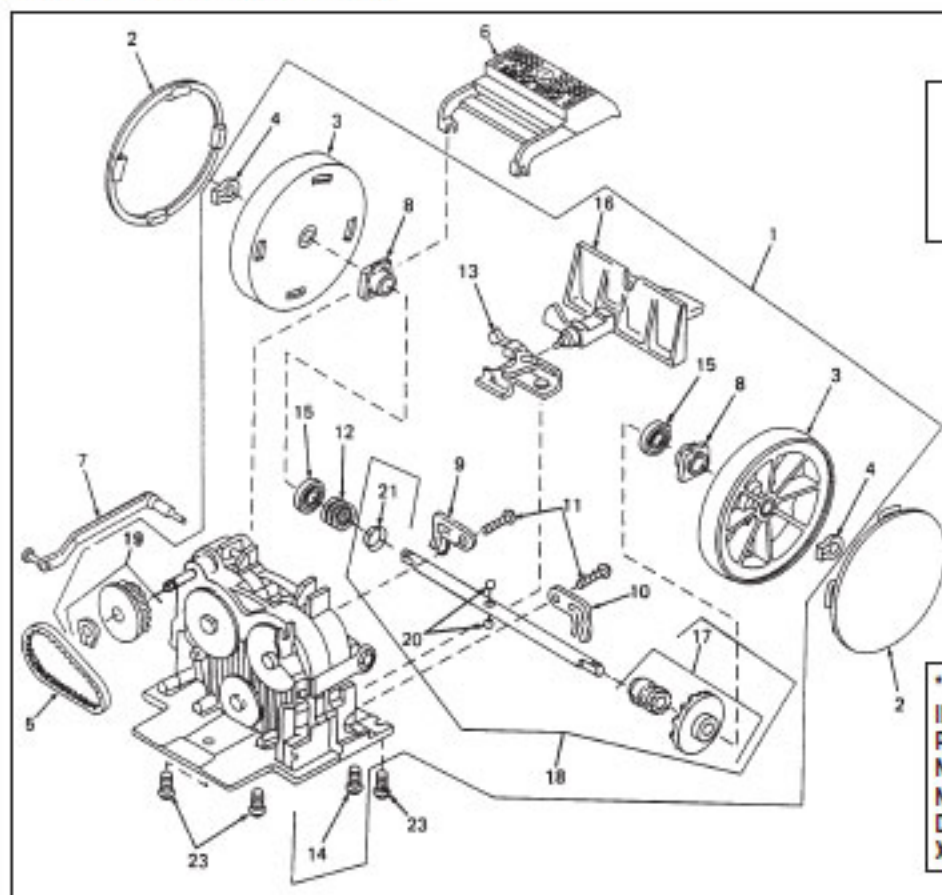


Use only KIRBY
parts to insure top
performance of
KIRBY products.

| KEY | PART NO. | DESCRIPTION | KEY | PART NO. | DESCRIPTION |
|-----|----------|---|-----|----------|--|
| 1 | K-119789 | Fan Case Ass'y G3-G4 | 12 | K-631589 | Ratchet Lock Ass'y |
| 1 | K-119797 | Fan Case Ass'y G5-Sentria | 13 | NLA | Label - Ratchet Lock G3 |
| 2 | K-1211 | Screw - Nozzle lock | 13 | NLA | Label - Ratchet Lock G4 |
| 3 | K-1212 | Spring - Nozzle Lock | 14 | K-193281 | Screw - Front Shaft Clamp |
| 4 | K-121056 | Lever - Nozzle Lock G3-G4 | 15 | K-134073 | Clamp - Front Shaft |
| 4 | K-121097 | Lever - Nozzle Lock G5-Sentria | 16 | K-131889 | Hubcap - Front Wheel G3 |
| 5 | K-610089 | Bezel - Power Switch G3-G5 | 16 | K-131893 | Hubcap - Front Wheel G4 |
| 5 | K-610099 | Bezel - Power Switch G6-Diamond Edition | 16 | K-131897 | Hubcap - Front Wheel G5 |
| 5 | K-610006 | Bezel - Power Switch Sentria | 16 | K-131899 | Hubcap - Front Wheel G6 |
| 6 | K-121689 | Nozzle Attaching Shaft | 16 | K-131801 | Hubcap - Front Wheel Ultimate G-Diamond Edition |
| 7 | K-122068 | Seal Ring G3-G4 | 16 | K-131806 | Hubcap - Front Wheel Sentria |
| 7 | K-122097 | Seal Ring G5-Sentria | 17 | K-131993 | Front Wheel G3, G4 Dark Gray |
| 8 | K-131689 | Wheel Shaft Ass'y G3-Sentria | 17 | K-131997 | Front Wheel G5 Black Cherry |
| 9 | NLA | Label - Wheel Shaft Pedal G3 | 17 | K-131999 | Front Wheel G6 Black |
| 9 | K-130793 | Label - Wheel Shaft Pedal G4 | 17 | K-131901 | Front Wheel Ultimate G, Diamond Edition Light Gray |
| 10 | NLA | Label - Height Adjustment G3 | 17 | K-131906 | Front Wheel Sentria Dark Gray |
| 10 | K-632093 | Label - Height Adjustment G4 | 18 | K-1321 | Screw - Front Wheel |
| 10 | K-633706 | Label - Height Adjustment Sentria | 19 | K-1331 | Spring - Ratchet Lock |
| 11 | K-232497 | Screw - Micro Adjustment | 20 | K-125489 | Volute Deflector |

KIRBY Original

GENERATION 3, G4, G5, G6, ULTIMATE G, DIAMOND EDITION, SENTRIA
Power Drive Assembly



Use only KIRBY parts to insure top performance of KIRBY products.

* THE TRANSMISSION BELT WAS CHANGED IN MAY 2005 DURING DIAMOND EDITION PRODUCTION. IDENTIFY THE UNIT BY SERIAL NUMBER: AFTER THE FIRST DIGIT THE NEXT ARE 2 DIGIT YEAR FOLLOWED BY 2 DIGIT MONTH. IF THE SERIAL NUMBER IS X0507XXXX, IT WAS MADE IN JULY OF 2005.

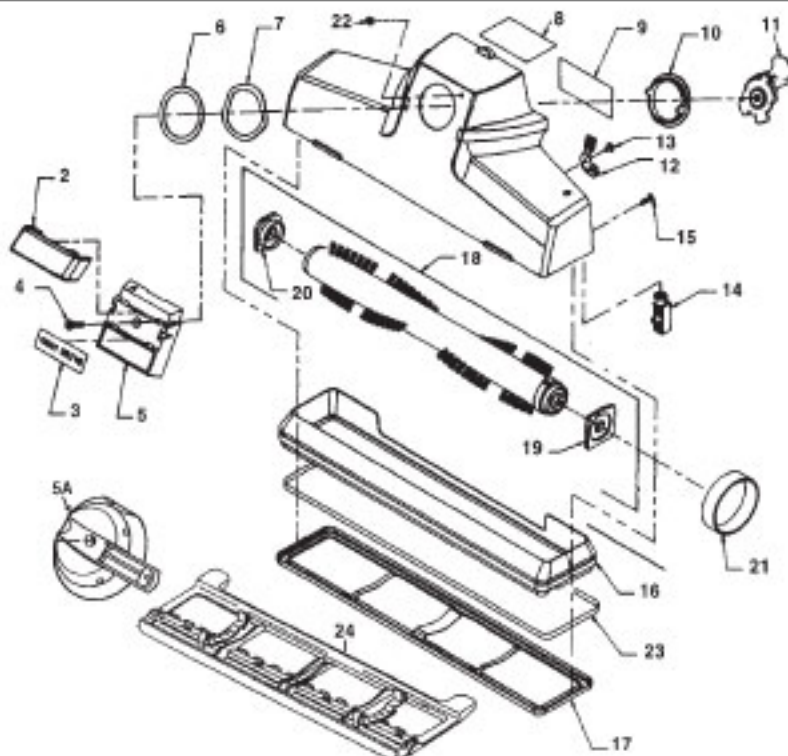
| KEY | PART NO. | DESCRIPTION | KEY | PART NO. | DESCRIPTION |
|-----|-----------|---|-----|----------|---|
| 1 | K-552389 | Power Drive Ass'y G3 W/Rear Wheels | 6 | K-110399 | Foot Pedal G6 Black |
| 1 | K-552393 | Power Drive Ass'y G4-G6 W/Rear Wheels | 6 | K-110301 | Foot Pedal Ultimate G, Diamond Edition Light Gray |
| 1 | K-552301 | Power Drive Ass'y Ultimate G, Diamond Edition W/Rear Wheels | 6 | K-110306 | Foot Pedal Sentria Dark Gray |
| 1 | K-552306 | Power Drive Ass'y Sentria W/Rear Wheels | 7 | K-608789 | Actuating Rod - Foot Pedal to Power Switch |
| 2 | K-555989 | Hubcap - Rear Wheel G3 | 8 | K-550889 | Bushing - Rear Axle |
| 2 | K-555993 | Hubcap - Rear Wheel G4 | 9 | K-555489 | Right Retainer - Axle |
| 2 | K-555997 | Hubcap - Rear Wheel G5 | 10 | K-555589 | Left Retainer - Axle |
| 2 | K-555999 | Hubcap - Rear Wheel G6 | 11 | K-556589 | Screw - Axle Retainer |
| 2 | K-555901 | Hubcap - Rear Wheel Ultimate G, Diamond Edition | 12 | K-556689 | Spring - Rear Axle |
| 2 | K-555906 | Hubcap - Rear Wheel Sentria Dark Gray | 13 | K-557689 | Bracket Cam Ass'y - Neutral Pedal |
| 3 | K-556299 | Rear Wheel G3-G6 Black | 14 | K-557789 | Screw - Neutral Pedal |
| 3 | K-556201 | Rear Wheel Ultimate G, Diamond Edition Light Gray | 15 | K-557889 | Bearing - Rear Axle |
| 3 | K-556206 | Rear Wheel Sentria Dark Gray | 16 | K-558489 | Neutral Pedal Cam Ass'y G3 |
| 4 | K-556489 | Clip - Rear Wheel | 16 | K-558499 | Neutral Pedal Cam Ass'y G4-Ultimate G |
| 5 | K-554189* | Primary Drive Belt G3-Diamond Edition | 16 | K-558401 | Neutral Pedal Cam Ass'y Diamond Edition |
| 5 | K-554105* | Primary Drive Belt Diamond Edition-Sentria | 16 | K-550406 | Neutral Pedal Cam Ass'y Sentria |
| 6 | K-110389 | Foot Pedal G3 Taupe | 17 | K-559890 | Clutch Overload Gear Ass'y |
| 6 | K-110393 | Foot Pedal G4 Dark Gray | 18 | K-560090 | Rear Axle W/Balls |
| 6 | K-110397 | Foot Pedal G5 Black Cherry | 19 | K-243503 | Primary Gear Kit W/Snap Ring And Motor Gear |
| | | | | K-550505 | Primary Gear No Clip Sentria |
| | | | | N/A | Clip - Trans Sprocket Gear |
| | | | 20 | K-561491 | Steel Ball |
| | | | 21 | K-561892 | Cup Washer |
| | | | 23 | K-500090 | Screw |

N/A = Not Available

Original **KIRBY**

GENERATION 3, G4, G5, G6, ULTIMATE G, DIAMOND EDITION, SENTRIA Floor Nozzle Assembly

Use only KIRBY parts to insure top performance of KIRBY products.

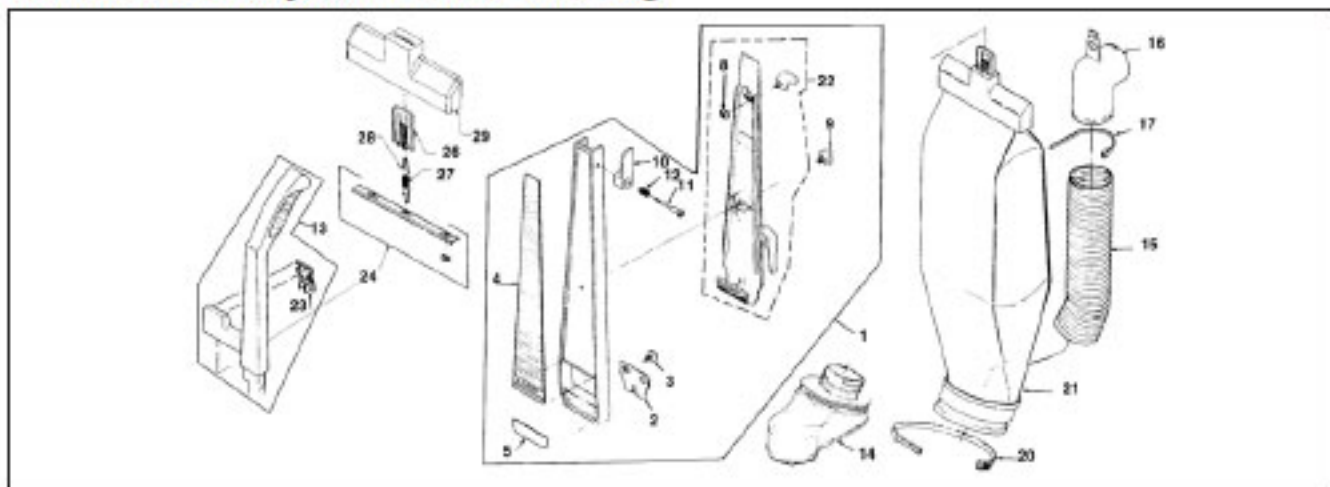


| KEY | PART NO. | DESCRIPTION | KEY | PART NO. | DESCRIPTION |
|-----|-----------|--|-----|----------|--|
| | K-141690 | Nozzle Ass'y Less Brush and Belt G3 | 14 | K-640393 | BPI Ass'y |
| | K-141693 | Nozzle Ass'y Less Brush and Belt G4 | 15 | K-148985 | Screw - BPI Ass'y |
| | K-141697 | Nozzle Ass'y Less Brush and Belt G5 | 16 | K-140489 | Nozzle Bumper G3 |
| | K-141699 | Nozzle Ass'y Less Brush and Belt G6 | 16 | K-140493 | Nozzle Bumper G4 |
| | K-141602 | Nozzle Ass'y Less Brush and Belt Ultimate G, Diamond Edition | 16 | K-140497 | Nozzle Bumper G5 |
| | K-141606* | Nozzle Ass'y Less Brush & Belt Sentria | 16 | K-140499 | Nozzle Bumper G6 |
| 2 | K-144089 | Trim Strip - Belt Lifter G3 | 16 | K-140401 | Nozzle Bumper Ultimate G, Diamond Edition |
| 3 | K-673689 | Label - Tech Drive G3 | 16 | K-140406 | Nozzle Bumper Sentria |
| 3 | K-673693 | Label - Belt Lifter G4 Rectangle Shape | 17 | K-152689 | Rug Plate |
| 3 | K-673697 | Label - Belt Lifter G5 Trapezoid Shape | 18 | K-156293 | Brushroll Ass'y Ball Bearing G3, G4 |
| 3 | K-673699 | Label - Belt Lifter G6 Trapezoid Shape | 18 | K-152502 | Brushroll Ass'y Ball Bearing G5-Ultimate G |
| 4 | K-640489 | Screw - Belt Lifter G3-G6 | 18 | K-152505 | Brushroll Ass'y Ball Bearing Diamond Edition & Sentria |
| 4 | K-232501 | Screw Belt Lifter Ultimate G-Sentria | 19 | K-156390 | Brush End Cap - Small G3 |
| 5 | K-144089 | Belt Lifter Body W/Arrow Labels G3 | 19 | K-156393 | Brush End Cap - Small G4-Sentria |
| 5 | K-144093 | Belt Lifter Body G4 W/Label | 20 | K-156490 | Brush End Cap - Large G3 |
| 5 | K-159297 | Belt Lifter Body G5 W/Label | 20 | K-156493 | Brush End Cap - Large G4-Sentria |
| 5 | K-159299 | Belt Lifter G6 W/Label | 21 | K-301291 | Belt |
| 5 | K-159201 | Belt Lifter Ultimate G, Diamond Edition | 22 | K-143081 | Stop Rivet - Belt Lifter (Not Available) |
| 5A | K-159206 | Belt Lifter Body Sentria | 23 | NLA | Accent Strip - Bumper G3 (Order K-140489) |
| 6 | K-144681 | Flat Washer - Belt Lifter | 23 | NLA | Accent Strip - Bumper G4 (Order K-140493) |
| 7 | K-144181 | Spring Washer - Belt Lifter | | K-640989 | Label - Arrow (Melon) |
| 8 | K-146601 | Label - Belt Lifter Instructions G3-Ultimate G | | K-640889 | Label - Arrow (Green) |
| 8 | K-146606 | Label - Belt Lifter Instructions Sentria | 24 | NLA | Bare Floor Pad G3 (Order K-205901) |
| 9 | K-149801 | Label - Brush Adjustment G3-Diamond Edition | 24 | K-205999 | Bare Floor Pad G4-G6 |
| 9 | K-149806 | Label Brush Adjustment Sentria | 25 | K-205901 | Bare Floor Pad Ultimate G, Diamond Edition |
| 10 | K-145481 | Bearing - Belt Lifter | | | |
| 11 | K-144291 | Hook - Belt Lifter | | | |
| 12 | K-640689 | Latch Ass'y | | | |
| 13 | K-141381 | Rivet - Latch Ass'y | | | |

* NOT CURRENTLY AVAILABLE.
CALL FOR CURRENT STATUS

KIRBY Original

GENERATION 3, G4, G5, G6, ULTIMATE G, DIAMOND EDITION, SENTRIA
Handle Assembly, Mini Emtor and Bag

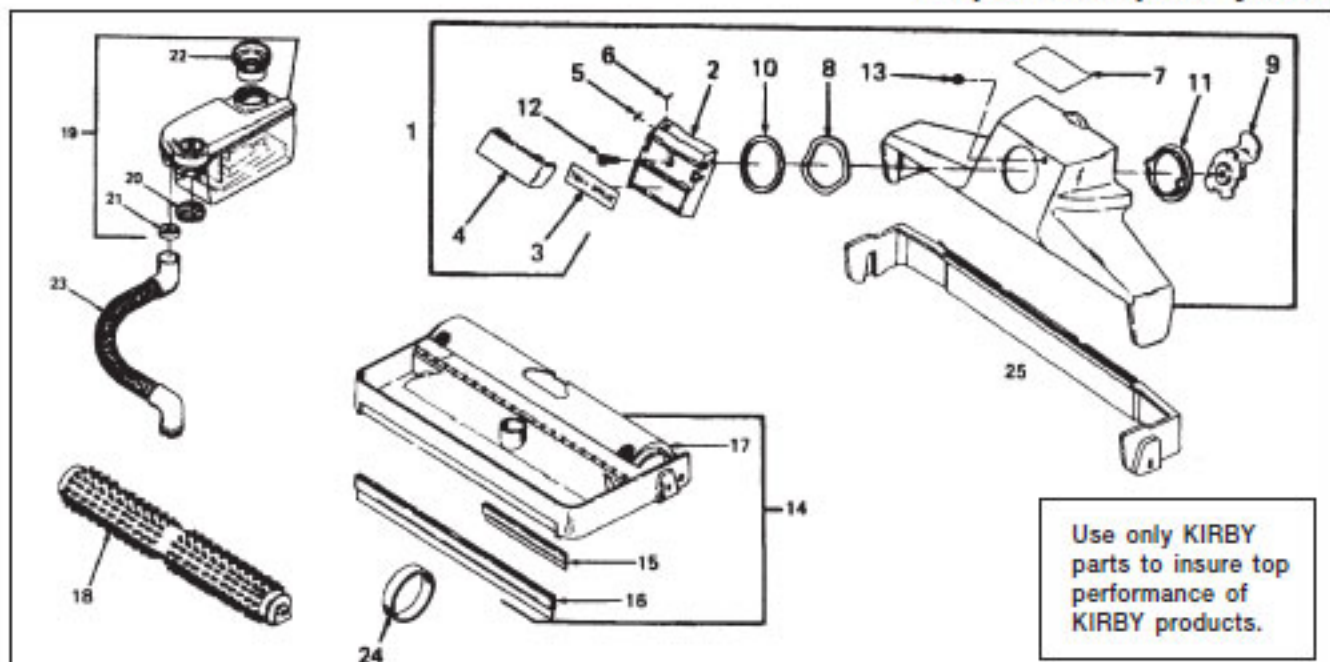


| KEY | PART NO. | DESCRIPTION | KEY | PART NO. | DESCRIPTION |
|-----|----------|---|-----|-----------|---|
| 1 | K-175090 | Handle Fork Ass'y G3 | 16 | K-190484 | Top Adapter - Fill Tube Wire Reinforced |
| 1 | K-175093 | Handle Fork Ass'y G4 | 16 | K-190499 | Top Adapter - Fill Tube Crushproof |
| 1 | K-175097 | Handle Fork Ass'y G5 | | | G6-Sentria |
| 1 | K-175099 | Handle Fork Ass'y G6 | 17 | K-191182 | Tube Tie |
| 1 | K-175001 | Handle Fork Ass'y Ultimate G | 20 | K-196599 | Bag Clamp - Mini Emtor G4-G6 |
| 1 | K-175003 | Handle Fork Ass'y Diamond Edition | 20 | K-196501 | Bag Clamp - Mini Emtor G3 |
| 1 | K-175006 | Handle Fork Ass'y Sentria | | | Ultimate G, Diamond Edition |
| 2 | K-672189 | Latch Plate | 20 | K-196506 | Bag Clamp - Mini Emtor Sentria |
| 3 | K-170489 | Screw - Latch Plate | 21 | K-190089 | Bag Ass'y (W/Bag Top Cover Ass'y) G3 |
| 4 | K-174390 | Label - Handle Fork G3 | 21 | K-190094 | Bag Ass'y W/Latch G4 |
| 4 | K-174393 | Label - Handle Fork G4 | 21 | K-190097 | Bag Ass'y W/Latch G5 |
| 4 | K-174397 | Label - Handle Fork G5 | 21 | K-190099 | Bag Ass'y W/Latch G6 |
| 4 | K-174399 | Label - Handle Fork G6 | 21 | K-190001 | Bag Ass'y W/Latch Ultimate G |
| 4 | K-174301 | Label - Handle Fork Ultimate G | 21 | K-190003 | Bag Ass'y W/Latch Diamond Edition |
| 4 | K-174303 | Label - Handle Fork Diamond Edition | 21 | K-190007* | Bag Ass'y W/Latch Sentria |
| 5 | K-673589 | Lower Label - Handle Fork | 22 | K-673789 | Rear Cover Ass'y G3 |
| 6 | K-675189 | Retainer Ring - Strain Relief | 22 | K-673793 | Rear Cover Ass'y G4 |
| 9 | K-174989 | Screw - Rear Cover G3 | 22 | K-673797 | Rear Cover Ass'y G5 |
| 9 | K-174984 | Screw - Rear Cover G4 - G6 | 22 | K-673799 | Rear Cover Ass'y G6 |
| 9 | K-174901 | Screw - Rear Cover Ultimate G-Diamond Ed. | 22 | K-673701 | Rear Cover Ass'y |
| 10 | K-173889 | Cord Hook Swivel G3 | | | Ultimate G-Diamond Edition |
| 10 | K-173893 | Cord Hook Swivel G4 | 22 | K-673706 | Rear Cover Ass'y Sentria |
| 10 | K-173897 | Cord Hook Swivel G5 | 23 | K-672089 | Bag Release Button - Handle Grip G3 |
| 10 | K-173899 | Cord Hook Swivel G6 | 23 | K-672093 | Bag Release Button - Handle Grip G4 |
| 10 | K-173801 | Cord Hook Swivel Ultimate G-Diamond Ed. | 23 | K-672097 | Bag Release Button - Handle Grip G5 |
| 10 | K-173806 | Cord Hook Swivel Sentria | 23 | K-672099 | Bag Release Button - Handle Grip G6 |
| 11 | K-174091 | Screw - Cord Hook Swivel | 23 | K-672001 | Bag Release Button |
| | | G3-Diamond Edition | | | Ultimate G, Diamond Edition |
| 11 | K-174006 | Screw - Cord Hook Swivel Sentria | 23 | K-672006 | Bag Release Button Sentria |
| 12 | K-174167 | Spring - Cord Hook Swivel | 24 | K-196189 | Bag Hanger Bar Ass'y |
| 13 | K-173389 | Handle Grip Ass'y G3 | 26 | K-196489 | Latch - Bag Top G3 |
| 13 | K-675793 | Handle Grip Ass'y G4 | 26 | K-196499 | Latch - Bag Top G4-G6 |
| 13 | K-675797 | Handle Grip Ass'y G5 | 26 | K-196401 | Latch - Bag Top Ultimate G |
| 13 | K-675799 | Handle Grip Ass'y G6 | 26 | K-196406 | Latch - Bag Top Sentria |
| 13 | K-675701 | Handle Grip Ass'y Ultimate G-Diamond Ed. | 27 | K-196789 | Spring - Bag Top |
| | | | 28 | K-196889 | Hook - Bag Top |
| 13 | K-675706 | Handle Grip Ass'y Sentria | 29 | K-191889 | Bag Top Cover G3 |
| 14 | K-186989 | Mini Emtor G3 | 29 | K-191892 | Bag Top Cover G4 |
| 14 | K-199493 | Mini Emtor With Fill Tube Ass'y G4 | 29 | K-191897 | Bag Top Cover G5 |
| 14 | K-199497 | Mini Emtor With Fill Tube Ass'y G5 | 29 | K-191899 | Bag Top Cover G6 |
| 14 | K-185899 | Mini Emtor With Fill Tube Ass'y G6 | 29 | K-191801 | Bag Top Cover Ultimate G, |
| 14 | K-185801 | Mini Emtor With Fill Tube Ass'y | | | Diamond Edition |
| | | Ultimate G, Diamond Edition | 29 | K-191806 | Bag Top Cover Sentria |
| 14 | K-185806 | Mini Emtor With Fill Tube Ass'y Sentria | | | Bezel - Handle Fork Sentria |
| 15 | K-190384 | Fill Tube | | | Screw - Handle Fork Bezel Sentria |
| 15 | K-190399 | Fill Tube, Crushproof Snap Type | | | |
| | | G3-Diamond Edition | | | |

* NOT CURRENTLY AVAILABLE.
CALL FOR CURRENT STATUS

Original **KIRBY**

GENERATION 3, G4, G5, G6, ULTIMATE G, DIAMOND EDITION, SENTRIA Carpet Shampoo System

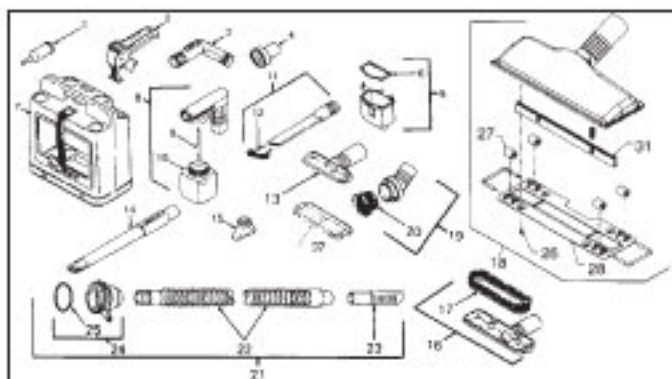


| KEY | PART NO. | DESCRIPTION | KEY | PART NO. | DESCRIPTION |
|-----|----------|---|-----|-----------|---|
| 1 | K-303189 | Carpet Shampoo Nozzle Ass'y G3 | 16 | K-305406 | Suds Leveler Strip Sentria |
| 1 | K-303193 | Carpet Shampoo Nozzle Ass'y G4 | 17 | K-304489 | Shield G3, Ultimate G, Diamond Edition |
| 1 | K-303197 | Carpet Shampoo Nozzle Ass'y G5 | 17 | K-304499 | Shield G4-G6 |
| 1 | K-303199 | Carpet Shampoo Nozzle Ass'y G6 | 17 | K-304406 | Shield Sentria |
| 1 | K-303102 | Carpet Shampoo Nozzle Ass'y Ultimate G, Diamond Edition | 18 | K-305789 | Shampoo Brushroll Ass'y |
| 1 | K-303106 | Carpet Shampoo Nozzle Ass'y Sentria | 18 | K-313292 | Polisher Brushroll Ass'y |
| 2 | K-144089 | Belt Lifter Body W/Arrow Labels G3 | 19 | K-306799 | Tank Ass'y G4-G6 |
| 2 | K-159297 | Belt Lifter Body G4-G5 W/Label | 19 | K-306701 | Tank Ass'y G3, Ultimate G, Diamond Edition |
| 2 | K-159299 | Belt Lifter Body G6 W/Label | 19 | K-306706 | Tank Ass'y Sentria |
| 2 | K-159201 | Belt Lifter Body Ultimate G, Diamond Edition W/Label | 20 | K-307389 | Filter Sponge - Tank |
| 2 | K-159206 | Belt Lifter Body Sentria | 21 | NLA | Suds Screen Ass'y G3-G4 (Order K-306799) |
| 3 | K-673689 | Label - Tech Drive G3 | 21 | K-316299 | Suds Screen Ass'y G5-Diamond Edition |
| 3 | K-673693 | Label - Belt Lifter G4 Rectangle | 21 | K-316206 | Suds Screen Ass'y Sentria |
| 3 | K-673697 | Label - Belt Lifter G5 Trapezoid Shape | 22 | K-308999 | Cap - Tank G4-G6 |
| 3 | K-673699 | Label - Belt Lifter G6 Trapezoid Shape | 22 | K-308989 | Cap - Tank G3, Ultimate G, Diamond Edition |
| 4 | NLA | Trim Strip - Belt Lifter G3 (Order K-144089) | 22 | K-308906 | Cap - Tank Sentria |
| 5 | K-640989 | Label - Arrow - Melon | 23 | K-308099 | Hose Ass'y G4-G6 |
| 6 | K-640889 | Label - Arrow - Green | 23 | K-308001 | Hose Ass'y G3, Ultimate G, Diamond Edition |
| 7 | K-304289 | Label - Warning G3-Diamond Edition | 23 | K-308006 | Hose Ass'y Sentria |
| 8 | K-144181 | Spring Washer | 24 | K-301289 | Belt |
| 9 | K-144291 | Belt Lifter Hook | 25 | K-313589* | Carpet Fluffer Shield G3, G4 |
| 10 | K-144681 | Flat Washer | 25 | K-313597* | Carpet Fluffer Shield G5 |
| 11 | K-145481 | Bearing - Belt Lifter | 25 | K-313599* | Carpet Fluffer Shield G6 |
| 12 | K-640489 | Screw - Belt Lifter | 25 | K-313501* | Carpet Fluffer Shield Ultimate G, Diamond Edition |
| 13 | N/A | Stop Rivet - Belt Lifter (Not Available) | 25 | K-313506* | Carpet Fluffer Shield Sentria |
| 14 | K-304799 | Tray Ass'y G4-G6 | | K-300306 | Valve Repair Kit Sentria |
| 14 | K-304701 | Tray Ass'y G3, Ultimate G, Diamond Edition | | | |
| 14 | K-304706 | Tray Ass'y Sentria | | | |
| 15 | K-305201 | Belt Baffle Strip G3-Diamond Edition | | | |
| 15 | K-305206 | Belt Baffle Strip Sentria | | | |
| 16 | K-305489 | Suds Leveler Strip G3 | | | |
| 16 | K-305493 | Suds Leveler Strip G4 | | | |
| 16 | K-305497 | Suds Leveler Strip G5 | | | |
| 16 | K-305499 | Suds Leveler Strip G6 | | | |
| 16 | K-305401 | Suds Leveler Strip Ultimate G, Diamond Edition | | | |

* Restricted Part

KIRBY Original

GENERATION 3-SENTRIA Attachments



Use only KIRBY parts to insure top performance of KIRBY products.

| KEY | PART NO. | DESCRIPTION |
|-----|----------|---|
| 1 | K-213884 | Inflator G3-Diamond Edition |
| 1 | K-213806 | Inflator Sentria |
| 2 | K-201089 | Portable Handle Ass'y G3, Ultimate G, Diamond Edition |
| 2 | K-201099 | Portable Handle Ass'y G4-G6 |
| 2 | K-201306 | Portable Handle Ass'y Sentria |
| 3 | K-225189 | Attachment Grip G3 |
| 3 | K-225193 | Attachment Grip G4 |
| 3 | K-225197 | Attachment Grip G5 |
| 3 | K-225199 | Attachment Grip G6 |
| 3 | K-225101 | Attachment Grip Diamond Edition-Ultimate G |
| 3 | K-225106 | Attachment Grip Sentria |
| 4 | K-214189 | Massage Cup G3-Sentria |
| 5 | K-224693 | Intake Guard Ass'y G3, G4 |
| 5 | K-224697 | Intake Guard Ass'y G5, G6 |
| 5 | K-224601 | Intake Guard Ass'y Ultimate G, Diamond Edition |
| 5 | K-224206 | Intake Guard Ass'y Sentria |
| 6 | K-224489 | Seal - Intake Guard |
| 7 | K-286999 | Kaddy Ass'y |
| 8 | K-250289 | Spray Gun Ass'y G3, Ultimate-G, Diamond Edition |
| 8 | K-250299 | Spray Gun Ass'y G4-G6 |
| 8 | K-250206 | Spray Gun Ass'y Sentria |
| 9 | K-250689 | Supply Tube - Spray Gun |
| 10 | K-251089 | Jar - Spray Gun |
| 11 | K-225989 | Crevice Tool G3 |
| 11 | K-225993 | Crevice Tool G4 |
| 11 | K-225797 | Crevice Tool G5 |
| 11 | K-225799 | Crevice Tool G6 |
| 11 | K-225701 | Crevice Tool Ultimate G, Diamond Edition |
| 11 | K-225706 | Crevice Tool Sentria |
| 12 | K-226157 | Brush - Crevice Tool |
| 13 | K-218089 | Upholstery Tool G3 |
| 13 | K-218093 | Upholstery Tool G4 |
| 13 | K-218097 | Upholstery Tool G5 |
| 13 | K-218099 | Upholstery Tool G6 |
| 13 | K-218001 | Upholstery Tool Ultimate G, Diamond Edition |
| 13 | K-212406 | Upholstery Tool Sentria |
| 14 | K-224089 | Extension Wand G3 |
| 14 | K-224093 | Extension Wand G4 |
| 14 | K-224097 | Extension Wand G5 |
| 14 | K-224099 | Extension Wand G6 |
| 14 | K-224001 | Extension Wand Ultimate G, Diamond Edition |
| 14 | K-224006 | Extension Wand Sentria |
| 15 | K-252089 | Suds-O-Cap G3, Ultimate G, Diamond Edition |
| 15 | K-252099 | Suds-O-Cap G4-G6 |
| 15 | K-252006 | Suds-O-Cap Sentria |
| 16 | K-210889 | Wall/Ceiling Brush Ass'y G3 |
| 16 | K-210893 | Wall/Ceiling Brush Ass'y G4 |
| 16 | K-210897 | Wall/Ceiling Brush Ass'y G5 |
| 16 | K-210899 | Wall/Ceiling Brush Ass'y G6 |
| 16 | K-210801 | Wall/Ceiling Brush Ass'y Ultimate G, Diamond Edition |
| 16 | K-210806 | Wall/Ceiling Brush Ass'y Sentria |
| 17 | K-218190 | Brush Strip - Wall/Cleaning |
| 18 | K-219791 | Surface Nozzle Ass'y G3 |
| 18 | K-219791 | Surface Nozzle Ass'y G4 |
| 18 | K-219791 | Surface Nozzle Ass'y G5 |
| 18 | K-219791 | Surface Nozzle Ass'y G6 |
| 18 | K-215493 | Surface Nozzle Ass'y Ultimate G, Diamond Edition |
| 18 | K-215406 | Surface Nozzle Ass'y Sentria |
| 19 | K-218489 | Duster Brush Ass'y G3 |
| 19 | K-218493 | Duster Brush Ass'y G4 |
| 19 | K-218497 | Duster Brush Ass'y G5 |
| 19 | K-218499 | Duster Brush Ass'y G6 |
| 19 | K-218401 | Duster Brush Ass'y Ultimate G, Diamond Edition |
| 19 | K-218406 | Duster Brush Ass'y Sentria |
| 20 | K-220189 | Duster Brush Ring |
| 21 | K-223689 | Hose Ass'y G3 |
| 21 | K-223693 | Hose Ass'y G4 |
| 21 | K-223697 | Hose Ass'y G5 |
| 21 | K-223699 | Hose Ass'y G6 |
| 21 | K-223602 | Hose Ass'y Ultimate G, Diamond Edition |
| 22 | K-223001 | Molded Hose Only G3, Ultimate G, Diamond Edition |
| 22 | K-223099 | Molded Hose Only G4-G6, Sentria |
| 23 | K-223389 | Tube - Swivel Connector G3 |
| 23 | K-223393 | Tube - Swivel Connector G4 |
| 23 | K-223397 | Tube - Swivel Connector G5 |
| 23 | K-223386 | Tube - Swivel Connector G6 |
| 23 | K-223301 | Tube - Swivel Connector Ultimate G, Diamond Edition |
| 24 | K-211093 | Suction/Blower Connector Ass'y G3, G4 |
| 24 | K-211097 | Suction/Blower Connector Ass'y G5 |
| 24 | K-210099 | Suction/Blower Connector Ass'y G6 |
| 24 | K-210003 | Suction/Blower Connector Ass'y Ultimate G, Diamond Edition |
| | K-211393 | Suction/Blower Connector Ass'y Variable Speed G4 |
| | K-211397 | Suction/Blower Connector Ass'y Variable Speed G5-Sentria |
| 25 | K-223881 | Seal Ring Suction/Blower |
| 26 | K-210490 | Screw - Surface Nozzle Plate |
| 27 | K-216291 | Wheel And Axle Ass'y - Surface Nozzle G3, G4 |
| 27 | K-216897 | Wheel And Axle Ass'y - Surface Nozzle G5-Diamond Edition |
| 28 | K-216291 | Plate - Surface Nozzle G3, G4 |
| 28 | K-216297 | Plate - Surface Nozzle G5-Diamond Edition |
| 28 | K-216306 | Plate - Surface Nozzle Sentria |
| 31 | K-219190 | Brush Strip - Surface Nozzle G3, G4 |
| 31 | K-219197 | Brush Strip - Surface Nozzle G5-Sentria |
| 37 | K-215890 | Suction Relief, Upholstery Tool |
| | K-205901 | Felt Duster Pad |
| | K-238299 | Ceiling Fan Tool |
| | K-238399 | Mini Blind Attachment |