

This Owner's Manual is provided and hosted by [Appliance Factory Parts](#).



Koblenz B-1500P Owner's Manual

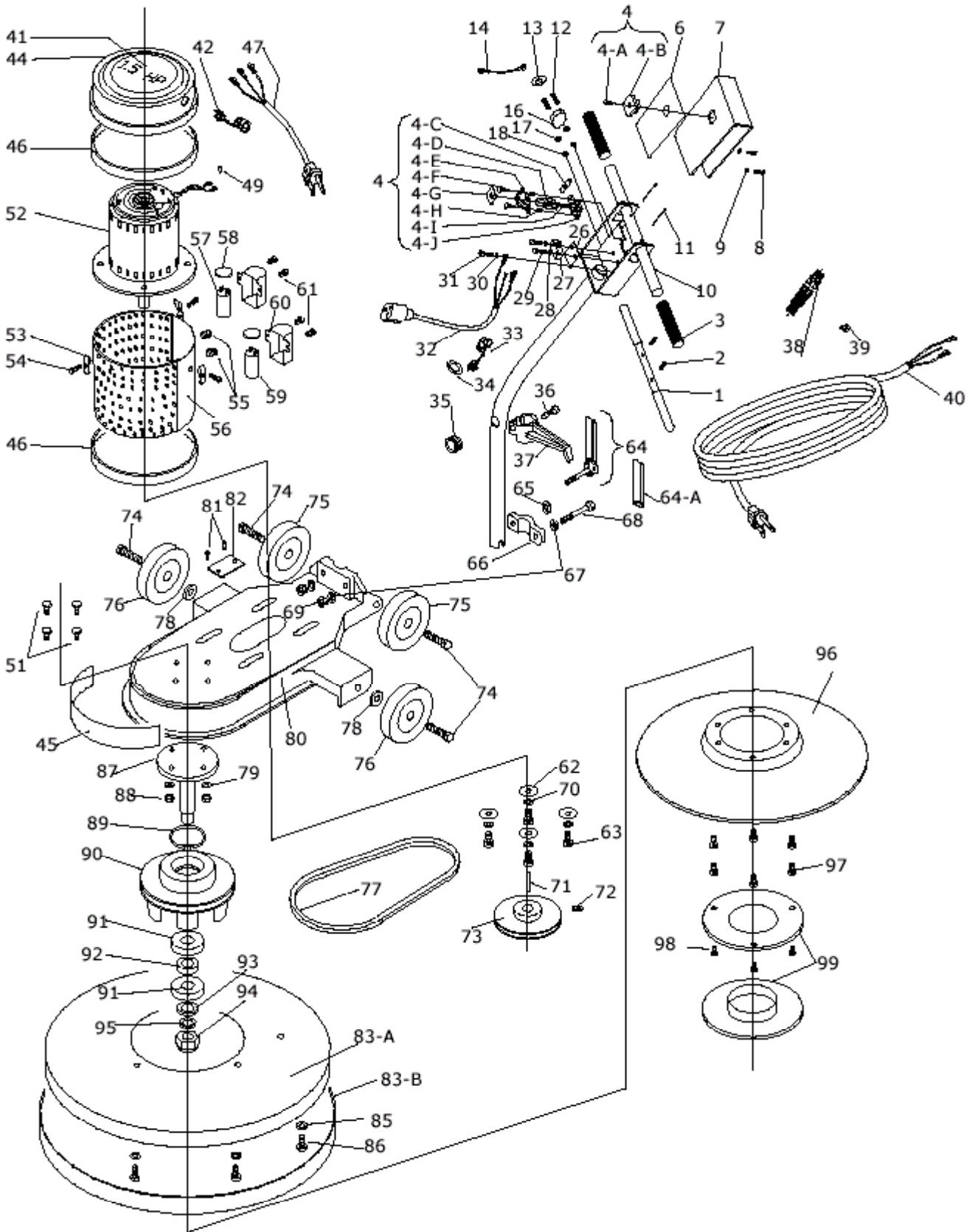
[Shop genuine replacement parts for Koblenz B-1500P](#)



[Find Your Koblenz Vacuum Cleaner Parts - Select From 30 Models](#)

----- Manual continues below -----

X.- ASSEMBLY



VI.-PART LIST

No.	PART. No.	DESCRIPTION	B-1550-P	B-1500-DC
1	05-3979-1	Starter lever	1	1
2	24-0292-3	Spring	2	2
3	12-0830-5	Handle Tube Upper	2	2
4	45-0534-3	Kit spare assembly sure	1	1
4-A	01-0272-3	Screw # 6 x 1/2	1	1
4-B	13-2209-8	Sure Button	1	1
4-C	13-2205-6	Piston of the Insurance	1	1
4-D	13-2206-4	Sure	1	1
4-E	13-2208-0	It Cover Box it Guides of the Insurance	1	1
4-F	01-1732-5	Screw # 8-32 x 1/2 "	2	2
4-G	37-0225-5	Dust Cover	1	1
4-H	05-3536-9	Tubular Separator	2	2
4-I	24-0292-3	Spring	1	1
4-J	13-2207-2	Box Guides of the Insurance	1	1
6	17-3783-2	Switch Box Label Burnisher	1	1
7	05-3975-9	Switch Box Cover Black	1	1
8	01-1984-2	Screw # 8-32 x 1 "	2	2
9	04-0276-8	Star Washer No 8	2	2
10	23-0657-9	Assemble Handle for Switch		1
10	23-0656-1	Assemble Handle	1	
11	03-0593-8	Bolt with Head	2	2
12	01-1256--5	Screw Phillips 10-24 x 3/4		2
13	17-3677-6	Label " Reset "		1
14	28-0958-0	Switch Assy Wire		1
16	38-0338-4	Thermal Protector 20 A		1
17	04-0271-9	Star Washer No 10		2
18	02-0015-4	Hexagonal Nut 10-24		2
26	08-1857-5	Insulator Switch	1	1
27	11-0096-5	Micro Switch	1	1
28	04-0275-0	Star Washer No 6	2	2
29	01-0851-4	Screw hexagonal 6-32 x 1"	2	2
30	04-0493-9	Star Washer No 8	1	1
31	01-0852-2	Screw hexagonal 6-32 x 3/8 "	1	1
32	28-0955-6	Motor Cable / Contac Assembly	1	1
33	12-0414-8	Grommet Heyco 0.062	1	1
34	04-0036-6	Washer	1	1
35	12-0115-1	Grommet of Rubber	1	1
36	01-1724-2	Allen Screw 5/16-24 x 3/4	1	1
37	06-0486-8	Hook Cord	1	1
38	45-0456-9	Cord Strain Relief	1	1
39	10-0140-3	Connector of pressure 2 x 14	1	1
40	28-1078-6	Line Cord Assembly	1	1
41	17-3036-5	Motor Cover 1.5 H.P. Insert	1	1
42	12-0414-8	Grommet Heyco 0.062	1	1
44	05-3765-4	Cover Motor	1	1
45	17-3025-8	Koblenz Insert	1	1
46	12-0692-9	Molding Motor Cover	2	2
47	28-0671-9	Motor Cable / Contac Assembly	1	
47	28-0957-2	Motor Cable Assembly C.D.		1
49	01-1626-9	Screw		1
51	01-1745-7	Screw Cab. Car 5/16-18 x 1	4	4
52	00-1736-8	Motor Induction	1	
52	44-0344-0	Motor C.D.		1
53	02-0071-7	Nut Fastener	3	3
54	01-0068-5	Screw No 8 x 3/8 "	3	3
55	12-0024-5	Grommet	2	

No.	PART. No.	DESCRIPTION	B-1550-P	B-1500-DC
56	23-0605-8	Cover Motor C.D.		1
56	23-0615-7	Cover Motor Assembly	1	
57	15-0678-1	Capacitor 40 MFD	1	
58	08-0979-8	Insulator Capacitor	2	
59	15-0013-1	Capacitor 590-708 MFD	1	
60	05-3567-4	Capacitor Cover	2	
61	01-1093-2	Screw Hexagonal 8 x 3/8 "	4	
62	04-0366-7	Flat Washer 3/8	4	4
63	01-1774-7	Screw Hex 3/8-16 x 1 1/4 "	4	4
64	46-2422-7	Lever Tube Adjustment Assy	1	1
64-A	12-0617-6	Lever Grip	1	1
65	05-3582-3	Washer	1	1
66	06-0790-3	Clamp Tube	1	1
67	04-0073-9	Flat Washer 3/8	3	3
68	01-1705-1	Screw Hexagonal 3/8 "-16 x 2 1/2 "	1	1
69	02-0134-3	Nut Security 3/8 " -16	2	2
70	04-0142-2	Pressure Washer 3/8	4	4
71	25-0021-3	Locking Pin	1	
72	01-1012-2	Allen Screw 3/8" -16 x 3/8	1	1
73	06-0760-6	Motor Pulley	1	
73	06-0835-6	Motor Pulley C.D.		1
74	01-1704-4	Screw Hexagonal 1/2-13 x 2	4	4
75	45-0396-7	Wheel Assembly	2	2
76	45-0496-5	Wheel Assembly	2	2
77	12-0672-1	Belt	1	
77	12-0714-1	Belt Motor C.D.		1
78	04-0074-7	Flat Washer 1/2	2	2
79	04-0144-8	Pressure Washer 5/16 "	4	4
80	06-0799-4	Chassis	1	1
81	03-0119-2	U Rivet	2	2
82	17-3550-5	"Precaution" Plate	1	1
83-A	23-0665-2	Assembly Plate Burnisher	1	1
83-B	12-0809-9	Assembly Plate Gasket	1	1
85	04-0078-8	Flat Washer 1/4 "	5	5
86	01-1775-4	Screw Hexagonal 1/4-20 x 3/4	5	5
87	06-0757-2	Pulley Axle	1	1
88	02-0024-6	Nut Hexagonal 5/16-18	4	4
89	04-0521-7	Locking Ring	1	1
90	06-0758-0	Disc Pulley	1	1
91	26-0187-0	Bearing 6204	2	2
92	04-0522-5	Spacer	1	1
93	04-0567-0	Flat Washer Pulley Axle	1	1
94	02-0136-8	Security Nut 5/8-18	1	1
95	04-0154-7	Pressure Washer 5/8	1	1
96	46-2319-5	Flex Base	1	1
97	01-1077-5	Flat Screw 1/4-20 x 1	6	6
98	01-0069-3	Screw No 8x1/2	3	3
99	13-1978-9	Pad Holder	1	1