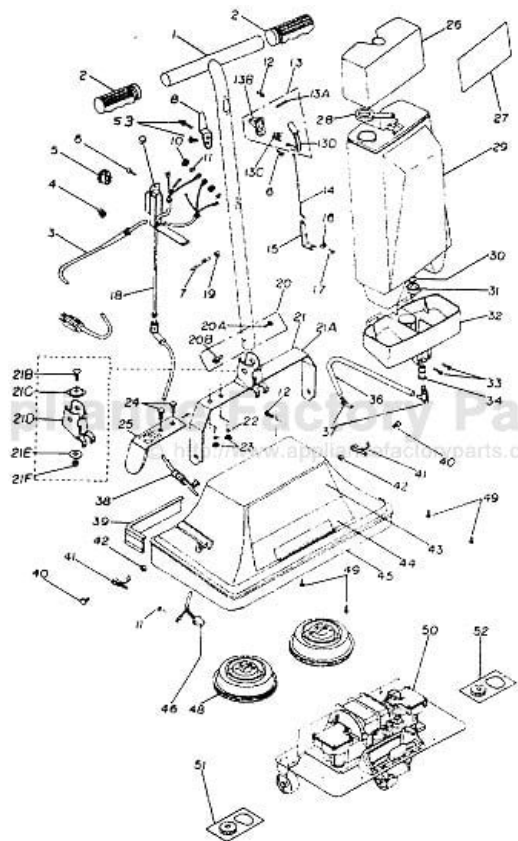


This Owner's Manual is provided and hosted by [Appliance Factory Parts](#).



Koblenz P747 Owner's Manual

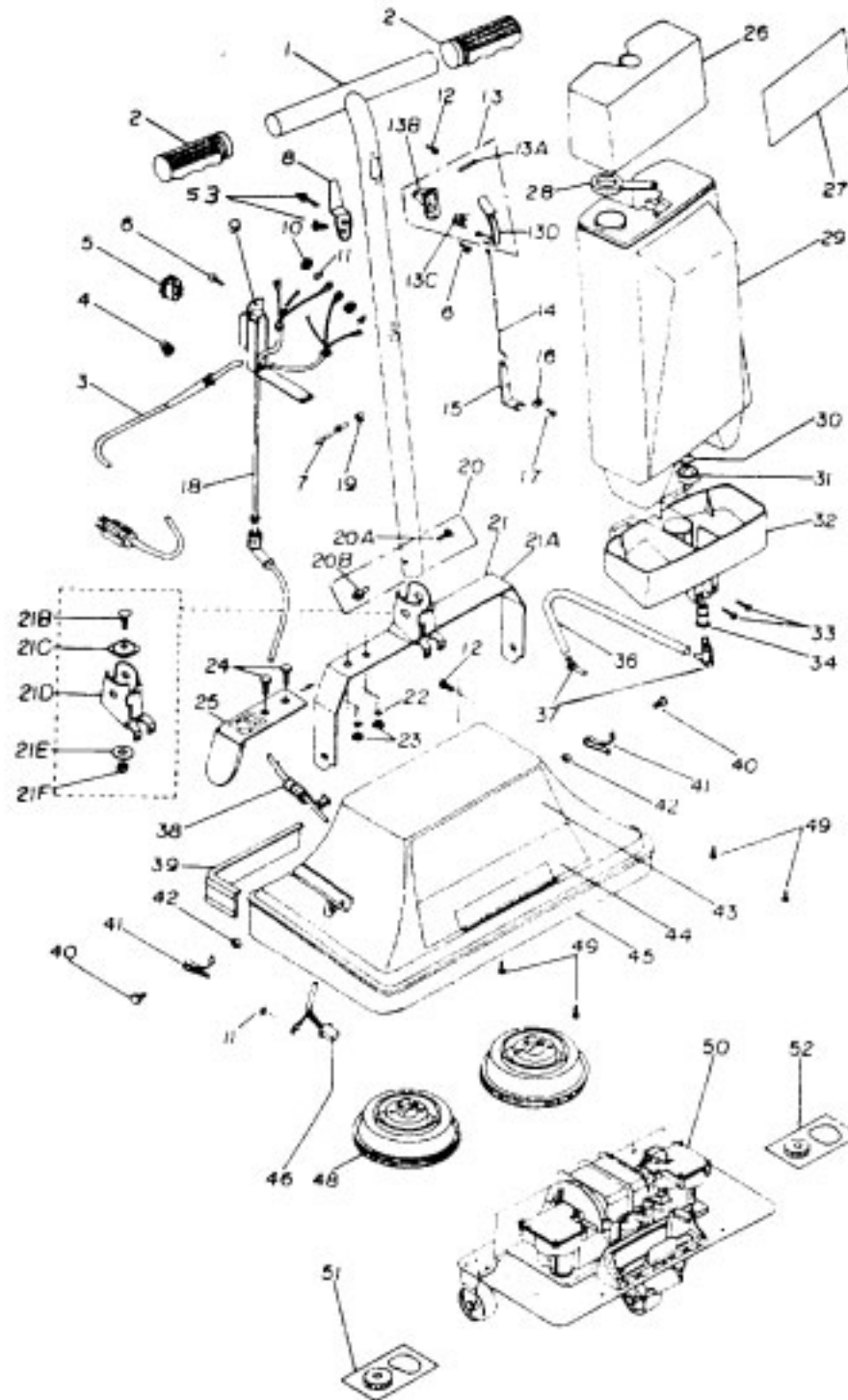
[Shop genuine replacement parts for Koblenz P747](#)



[Find Your Koblenz Vacuum Cleaner Parts - Select From 30 Models](#)

----- Manual continues below -----

IV.- 16" RUG SHAMPOOER EXTERNAL PARTS / PARTES EXTERNAS LAVAPISOS 16"

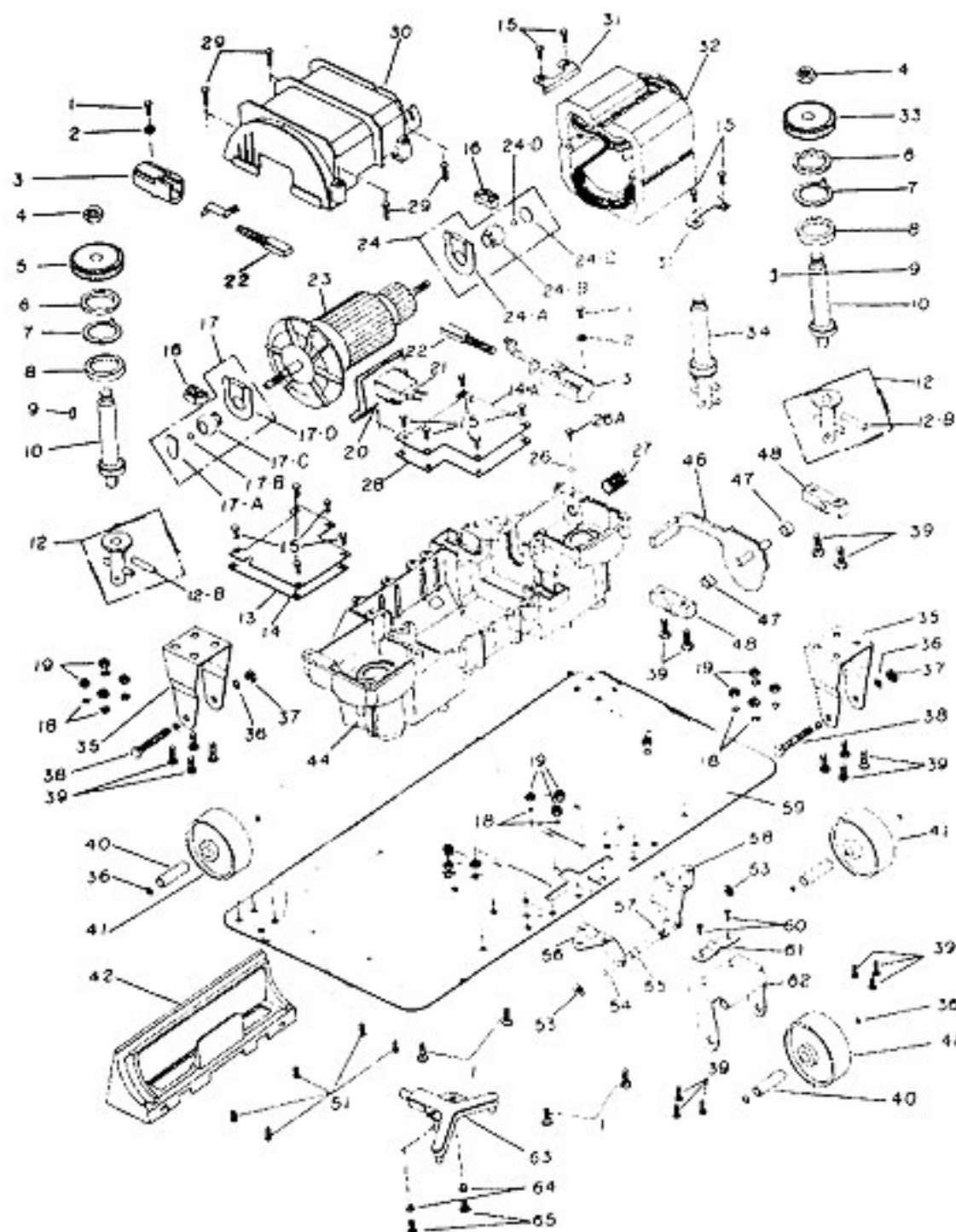


IV.- 16" RUG SHAMPOOER EXTERNAL PARTS / PARTES EXTERNAS LAVAPISOS 16"

ITEM	PART. No.	DESCRIPTION	DESCRIPCION	P-747 120 V	P-6747 230 V	P-1747 100 V
1	23-0476-4	T. Bar Handle	Tubo Manija Lavapisos P-747	1	1	1
2	13-0947-5	Handle Grip	Mango Asidera	2	2	2
3	28-0623-0	Cord Line Assembly	Ensamble Cable Linea Sto(amarillo)	1	1	1
4	10-0042-1	Wire Nut	Conector cables	1	1	1
5	11-0138-5	Switch	Switch balancin negro con cero y uno	1	1	1
6	01-0154-3	Self Tapping Screw #6 x 5/16	Plija Cab/Hex. c/rotdana # 6 x 5/16	1	1	1
7	03-0210-9	Pop Rivet, 156 Dia. x 3/8 Long.	Remache 5/32 x 13/32	1	1	1
8	05-2142-7	Cord Hook	Gancho cordón p/cable 50 pies	2	2	2

ITEM	PART. No.	DESCRIPTION	DESCRIPCION	P-747 120 V	P-6747 230 V	P-1747 100 V
9	13-0946-7	Box Switch	Caja switch negro	1	1	1
10	02-0007-1	Hex. Nut # 8-32	Tuerca hexagonal 8-32	2	2	2
11	04-0276-8	Star Washer	Rondana estrella # 8	2	2	2
12	01-1249-0	Screw #8-32 x 5/8 Long.	Tor. cab. fijadora phillips 8-32 x 5/8	1	1	1
13	46-1865-8	Lever, Valve Control Block (Assembly)	Ens. palanca pulida	1	1	1
13 A	25-0661-6	Spiral Pin 3/32	Espiral pin 3/32	1	1	1
13 B	06-0463-7	Lever Control Support	Soporte palanca pulida	1	1	1
13 C	24-0158-6	Valve Spring	Resorte válvula	1	1	1
13 D	06-0464-5	Dispenser	Palanca pulida	1	1	1
14	09-0811-1	Dispenser Rod.	Alambre plano 1/16 diam. x 3 mts.	1	1	1
15	05-2197-1	Valve Hook	Gancho válvula	1	1	1
16	05-2223-5	Valve Hook Spacer	Separador tor. G válvula	1	1	1
17	01-0154-3	Self Tapping Screw #6 x 5/16	Pija cab/hex c/rondana 6 x 5/16	1	1	1
18	28-0625-5	Motor Cord Assembly	Ens. cable motor sto (amarillo)	1	1	1
19	25-0789-5	Spacer Hold Down	Separador tanque	1	1	1
20	45-0330-6	Handle Screw and Nut Package	Tuerca y tornillo p/tubo manija	1	1	1
20 A	01-0747-4	Machine Screw # 10-32 x 1/4	Tornillo c/phillister 10-32 x 1 1/4"	1	1	1
20 B	02-0067-5	Internally threaded Nut	Tuerca especial p/manija	1	1	1
21	46-1812-0	Yoke, Socket Assembly	Ensamble yugo-socket	1	1	1
21 A	05-3189-7	Yoke	Yugo	1	1	1
21 B	01-1431-4	Special Screw	Tornillo cabeza de coche	1	1	1
21 C	05-2379-5	Socket Plate	Placa sujeción tornillo coche	1	1	1
21 D	05-3190-5	Socket	Socket	1	1	1
21 E	04-0420-2	Concave Washer	Rondana concava templada	1	1	1
21 F	02-0092-3	Security Nut	Tuerca de seguridad	1	1	1
22	04-0271-9	Star Washer	Rondana estrella N° 10 x .204	2	2	2
23	02-0015-4	Hex Nut # 10-24	Tuerca hex. 10-24 NC Acer galv.	2	2	2
24	01-0861-3	Screw Mach # 10-24 3/8 Long.	Tornillo mac. cab hex #10-24 x 3/8	2	2	2
25	46-1813-8	Transport Handle Assembly	Ensamble de manija transporte	1	1	1
26	13-1406-1	Container Top	Tapa sup. tanque c/imp. lavafombros 16"	1	1	1
27	17-2476-4	Container Top Label	Etiqueta tapa sup. tanque 16" Koblenz	1	1	1
28	13-0064-9	Tank Cap	Tapón del tanque	1	1	1
29	45-0140-9	Container	144 OZ tanque assembly	1	1	1
30	04-0136-4	Rubber Washer	Rondana de hule	1	1	1
31	13-0068-0	Valve Cover	Valve cover	1	1	1
32	13-0948-3	Container Base Black	Soporte tanque inf. negro	1	1	1
33	01-1093-2	Self Tapping Screw	Pija cab. hex. ranura c/rondana tipo A	2	2	2
34	12-0694-5	Container Base Seal	Sello de hule soporte tanque	1	1	1
36	13-0076-3	Hose	Manguera	240	240	240
37	13-0065-6	Elbow-Hose Connector	Codo conector manguera charola	2	2	2
38	12-0413-0	Pigtail Strain Relief	Gromet Heyco p/cable ST & STO N° 137	1	1	1
39	12-0506-1	Bumper	Bisel cubierta	1	1	1
40	01-0883-7	Hex Head Screw 1/4-20 x 3/4	Tor. cab. hex. 1/4-20 NC x 3/4	2	2	2
41	24-0144-6	Spring Yoke	Muelle yugo	2	2	2
42	05-3223-4	Spacer Yoke Pivot	Separador Yugo	2	2	2
43	17-2473-1	Enclosure Label	Etiqueta de marca 16" Koblenz	1	1	1
44	17-2755-1	Level Position Label	Etiqueta de posición ruedas P-747	1	1	1
45	23-0502-7	Cover	Ens. cubierta 16" c/guardas	1	1	1
46	10-0054-6	Connection Block	Bloque 3 vías conector macho	1	1	1
48	45-0243-1	Shampoo Brush	Ensamble cepillo alfombras 8"	2	2	2
49	01-1489-2	Self Tapping Screw # 8-1/2	Pija c/hex. s/ranura tipo B* # 8 x 1/2	4	4	4
50	46-1996-1	Motor Pack 16", 120 V	Ensamble motor 16" 120 V	1		
50	46-2033-2	Motor Pack 16", 230 V	Ensamble motor 16" 1 vel. 230 V c/supresor		1	
50	46-2045-6	Motor Pack 16", 100 V	Ensamble motor pulidora 737			1
51	46-2023-3	Replacement Gear and Grease (FAN)	Bolsa ref. engrane 16" izquierdo vent.	1	1	1
52	46-2022-5	Replacement Gear and Grease (COMM)	Bolsa ref. engrane 16" derecho comm.	1	1	1
53	01-0291-3	Screw 10 x3/8	Pija cab Phillips 10 NCX 1/2	4	4	4

V.- 16" RUG SHAMPOOER INTERNAL PARTS / PARTES INTERNAS LAVAPISOS 16"



V.- 16" RUG SHAMPOOER INTERNAL PARTS / PARTES INTERNAS LAVAPISOS 16"

ITEM	PART. No.	DESCRIPTION	DESCRIPCION	P-747 120 V	P-6747 230 V	P-1747 100 V
1	01-1489-2	Self tapping screw * 8 x 1/2	Pija c/hex. s/ranura tipo B # 8 x 1/2	7	7	7
2	04-0019-2	Washer .059 x 0171 x .500 Galv.	Rondana plana .059 x .171 x .500	2	2	2
3	13-1222-2	Carbon Brush Holder	Funda porta escobilla	2	2	2
4	02-0016-2	Hexagonal Nut 3/8-24	Tuerca HEXagonal 3/8" x 24	2	2	2
5	42-0056-4	16" gear (Fan)	Engranaje eje ventilador 16" K	1	1	1
6	04-0440-0	Washer Felt	Washer packing	2	2	2
7	05-3032-9	Seal Back	Rondana respaldo	2	2	2
8	12-0516-0	Seal	Rondana sello base	2	2	2

ITEM	PART No.	DESCRIPTION	DESCRIPCION	P-747 120 V	P-6747 230 V	P-1747 100 V
9	25-0988-3	Spindle key	Cuña eje	2	2	2
10	46-2046-4	Spindle assembly	Sub. Ens. eje casquillo 16" k	2	2	2
12	46-1808-8	Spindle cap kit	Ensamble casquillo eje	2	2	2
12 B	25-1047-7	Spindle pin	Perno espiral	1	1	1
13	37-0108-3	Fan gear cover gasket	Empaque caja grasa lado ventilador	1	1	1
14	23-0501-9	16" gear cover	Ens. tapa c/barrera ventilador 16"	1	1	1
14 A	25-0500-1	16" gear cover	Ens. tapa c/barrera conmutador	1	1	1
15	01-1591-5	Hexagonal Screw No. 6 x 1/2	Pija cab. hex. # 6 x 1/2 tipo B ran	14	14	14
16	06-0591-5	Armature bearing block	Reten cojinete	2	2	2
17	46-1804-7	Armature bearing kit (fan)	Juego cojinetes lado ventilador	1	1	1
17 A	25-1029-5	Thrust plate	Placa bola de empuje	1	1	1
17 B	26-0150-8	Thrust ball	Bala diam. 1/4	1	1	1
17 C	26-0026-0	Armature bearing	Cojinete de armadura	1	1	1
17 D	12-0507-9	Bearing armature seal	Sello cojinete armadura	1	1	1
18	04-0276-8	Star washer Num 8	Rondana estrella # 8	15	15	15
19	02-0007-1	Hexagonal Nut 8-32	Tuerca hexagonal # 8-32	14	14	14
20	05-2718-4	Connector block support	Reten bloque 3 vias	1	1	1
21	10-0053-8	Block connector 3 way (female)	Bloque 3 vias conector hembra	1	1	1
22	46-1806-2	Carbon brush and spring	Ens. escobilla con resorte	2	2	2
23	28-0457-3	16" Armature 120 V	Armadura lavapisos 16" 120 V	1		
23	28-0469-6	16" Armature 230 V	Armadura lavapisos 16" 230 V		1	
23	28-0484-7	16" Armature 100 V	Armadura lavapisos 16" 100 V			1
24	46-1805-4	Armature bearing kit (commutator)	Juego cojinete lado conmutador	1	1	1
24 A	12-0507-9	Bearing armature seal	Sello cojinete armadura	1	1	1
24 B	26-0026-0	Armature bearing	Cojinete de armadura	1	1	1
24 C	25-1030-3	Thrust plate	Placa bola de empuje (interna)	1	1	1
24 D	26-0150-8	Thrust ball	Bala diam. 1/4"	1	1	1
26	13-1233-9	Locking screw ball	Pelet de nylon Hanna	1	1	1
26 A	01-1489-2	Self tapping screw # 8 x 1/2	Pija c/hex. s/ranura tipo B # 8 x 1/2	1	1	1
27	01-1587-3	Armature thrust screw	Tornillo ajuste armadura	1	1	1
28	37-0111-7	Gear cover gasket (Comm)	Empaque caja grasa lado conmutador	1	1	1
29	01-1583-2	Hex screw 6 x 7/8"	Pija cabeza hex 6 x 7/8 ranurada tipo B	4	4	4
30	13-1299-0	Motor Shroud	Cubierta motor 16" Koblenz	1	1	1
31	05-1065-9	Field Support	Soporte p/campo templado	2	2	2
32	28-0458-1	16" Field, 1 Speed, 120 V	Campo lavapisos 16" 120 V 1 vel.	1		
32	28-0470-6	16" Field, 1 Speed, 230 V	Ens. campo 16" 230 V 1 vel.		1	
32	28-0485-4	16" Field, 1 Speed, 100 V	Campo lavapisos 16" 100 V 1 vel.			1
33	42-0057-2	16" gear (Comm)	Engrane eje conmutador 16" K	1	1	1
34	46-2062-1	Spindle insulator cap assembly	Ensamble eje capillo 16" k	2	2	2
35	05-3170-7	Rear wheel yoke	Horquilla rueda trasera	2	2	2
36	04-0270-1	Star washer	Roidana estrella	6	6	6
37	02-0012-1	Hex nut 1/4-20	Tuerca hex. 1/4 - 20	3	3	3
38	01-0416-6	Hex screw 1/4-20 x 1 1/2	Tornillo cab. hex. 1/4-20 x 1 1/2	3	3	3
39	01-0852-2	Hex screw 8-32 x 3/8	Tornillo mag. cabeza hex #8-32 x 3/8	18	18	18
40	25-1057-6	Wheel Brushing	Buje rueda (lavapisos 16")	3	3	3
41	12-0568-1	Wheel	Rueda de hule 2"	3	3	3
42	13-1153-9	Cam Lever Cover	Cubierta leva	1	1	1
44	46-1894-8	16" Motor Housing Assembly	Ens. base motor 16" Koblenz	1	1	1
46	46-1809-6	Cam Assembly	Ens. leva	1	1	1
47	05-3173-1	Cam Spacer	Espaciador Leva	2	2	2
48	26-0149-0	Cam Bearing	Cojinete Leva	2	2	2
51	01-1483-5	Self tapping screw # 6 x 3/8	Pija # 6 x 3/8 c. hex. s/ranura pavonada	5	5	5
53	04-0261-0	Yoke pivot retainer	Tuerca rápida retén de yugo	2	2	2
54	25-1028-7	Wheel yoke pivot	Pivote Rueda	1	1	1
55	05-3175-6	Wheel spacer	Espaciador horquilla frontal	1	1	1
56	05-3174-9	Yoke left support	Soporte Horquilla izq.	1	1	1
57	24-0238-6	Yoke front wheel spring	Resorte rueda frontal	1	1	1
58	05-3176-4	Yoke right support	Soporte horquilla derecha	1	1	1
59	05-3169-9	Base plate	Placa base	1	1	1
60	01-0061-0	Hex. screw 6 x 1/4	Pija N° 6 x 1/4 tipo B cab. Phillips pav.	2	2	2
61	05-3222-6	Cam wear plate	Placa de desgaste leva-templado	1	1	1
62	05-3178-0	Front wheel yoke	Horquilla rueda frontal	1	1	1
63	45-0237-3	Dispenser tray assembly	Ensamble charola	1	1	1
64	03-0515-1	Dispenser tray eyelet	Ojillo charola	2	2	2
65	01-0154-3	Self tapping screw 6 x 5/16	Pija cab. hex. c/rondana 6 x 5/16	2	2	2