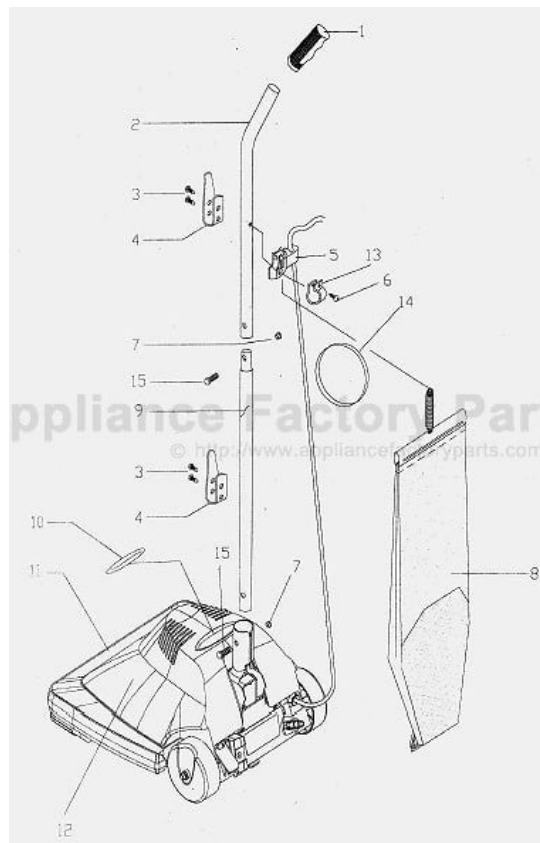


This Owner's Manual is provided and hosted by [Appliance Factory Parts](http://www.appliancefactoryparts.com).



Koblenz U75 Owner's Manual

[Shop genuine replacement parts for Koblenz U75](#)



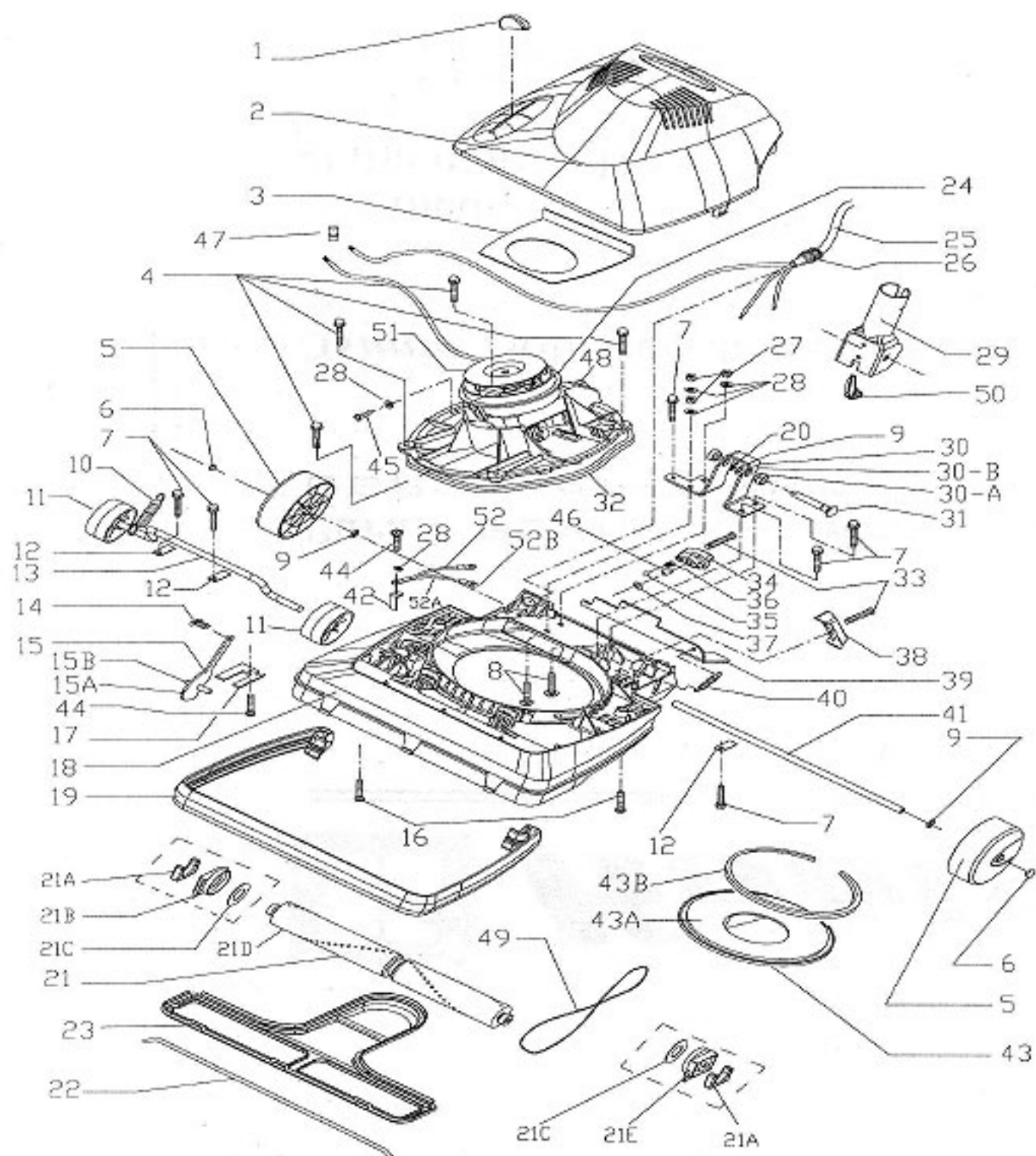
[Find Your Koblenz Vacuum Cleaner Parts - Select From 30 Models](#)

----- Manual continues below -----

VII.-UPRIGHT VACUUM CLEANER EXTERNAL PART LIST

No	PART No	DESCRIPTION	U-75
1	13-0947-5	HANDLE GRIP	1
2	05-4091-01-2	UPPER HANDLE BLACK	1
3	01-0290-5	SCREW 10 x 3/8	4
4	05-4089-01-8	CORD HOOK BLACK U-75	2
5	13-1462-4	CORD RETAINER	1
6	01-0283-0	SCREW 8 x 1/2	1
7	02-0141-8	LOCK NYLON NUT 10-32	2
8	46-3231-1	BLACK DUMP BAG ASSY U-75	1
9	05-4090-01-4	LOWER HANDLE BLACK	1
10	17-4777-3	LABEL U-75 COVER	1
11	13-2883-0	POLYCARBONATE CHASSIS	1
12	13-2949-9	PLASTIC COVER U-75	1
13	13-0304-9	BELT RETAINER	1
14	12-0814-01-07	BELT 210x137/16-83a	1
15	01-2034-01-3	SPECIAL SCREW FOR HANDLE	2

VIII.- UPRIGHT VACUUM CLEANER INTERNAL PARTS



IX. – UPRIGHT VACUUM CLEANER INTERNAL PARTS LIST

No	PART No.	DESCRIPTION	U-75
1	13-3147-9	KNOB CAM	1
2	13-2949-9	PLASTIC COVER U-75	1
3	12-0936-0	BAFFLE	1
4	01-15006	SCREW B TYPE 10-16x3/4	4
5	13-3144-6	BACK WHEEL U-75	2
6	04-0671-0	WASHER CAP RETAINER	2
7	01-1499-1	SCREW HEXAGONAL No 10-16x5/8	6
8	01-0664-1	SCREW 10x 5/8	2
9	04-0589-4	FLAT WASHER 5/16 X 1/2	3
10	24-0308-7	FRONT AXLE SPRING	1
11	13-3143-8	FRONT WHEEL U-75	2
12	05-4489-0	AXLE RETAINER PLATE	3
13	25-1349-02-3	GALVANIZED FRONT AXLE	1
14	01-1651-7	SCREW B TYPE No 6	1
15	46-3206-3	CAM ASSY	1
15-A	05-4722-4	U-75 CAM	1
15-B	25-1345-5	BOLT FOR CAM	1
16	01-0093-3	SCREW No 6x5/8 TYPE BC/PHILLIPS	2
17	05-4721-6	CAM RETAINER PLATE	1
18	13-2883-0	POLYCARBONATE CHASSIS	1
19	12-0952-7	U-75 BUMPER GUARD	1
20	04-0469-9	PO-25 LOCK WASHER	1
21	46-2375-7	BRUSH ROLL ASSY W/END CAPS	1
21-A	12-0522-8	GASKET END CAP	1
21-B	13-1801-3	LEFT BEARING SUPPORT	1
21-C	37-0130-7	FELT WASHER	2
21-D	45-0299-3	USE 46-2375-7	1
21-E	13-1252-9	11/16 BEARING	1
22	25-0997-4	BOTTOM PLATE RETAINER	1
23	46-3207-1	BOTTOM PLATE	1
24	13-3146-1	MOTOR COOLING COVER	1
25	28-1644-5	CABLE OF U-75 LINE ASSEMBLY	1
26	12-0953-5	GROMMET HEYCO 1232	1
27	02-0041-0	HEXAGONAL NUT No.10-24	3
28	04-0271-9	WASHER STARS No 10X.204	5
29	05-4734-02-5	CHROMED YOKE	1
30	46-3260-0	YOKE SUPPORT BUSHING ASSY	1
30-A	13-3148-7	BUSHING YOKE	2
30-B	05-4725-7	YOKE SUPPORT	1
31	25-1346-3	BOLT FOR YOKE	1
32	12-0495-01-5	MOTOR MOUNT GASKET	1
33	01-0285-5	SCREW 8x 3/4	2
34	13-2126-4	BAG KNOB	1
35	26-0001-3	BALL ARM SHAFT/R -30465P2	1
36	24-0014-1	KNOB SPRING	1

No	PART No	DESCRIPTION	U-75
37	04-0026-7	FLAT WASHER (02-0101)	1
38	13-2127-2	BAG SUPPORT	1
39	05-4724-02-6	HANDLE PEDAL	1
40	24-0316-0	PEDAL SPRING	1
41	25-1322-4	REAR AXLE	1
42	05-4993-1	GROUNDING TERMINAL	1
43	46-3208-9	FAN COVER ASSEMBLY	2
43-A	13-3145-3	FAN COVER	1
43-B	12-0834-7	FAN COVER GASKET	1
44	01-0270-7	SCREW PHILLIPS 6 x 3/8 " " A "	2
45	01-1683-0	SCREW T TYPE 8-32 x 1/4	1
46	05-0997-6	SPACER	1
47	10-0137-9	CABLE CONNECTOR	1
48	11-0159-1	BALANCE SWITCH	1
49	12-0814-01-7	BELT .210x13 7/16 83A	1
50	13-3273-3	SWITCH ACTUATOR	1
51	46-3099-2	ASSY U-75 MOTOR	1
52	28-1664-3	GROUND CORD ASSY	1
52-A	09-1319-4	GROUNDING CABLE	2
52-B	30-0197-1	TERMINAL OF EARTH RETURN	3