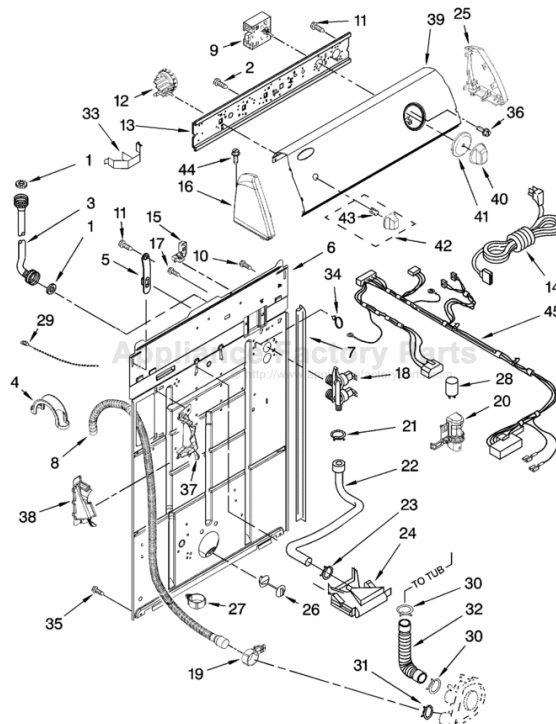


This Owner's Manual is provided and hosted by [Appliance Factory Parts](#).



AMANA NTW5100TQ0 Owner's Manual

[Shop genuine replacement parts for AMANA
NTW5100TQ0](#)



[Find Your AMANA Washer Parts - Select From 16 Models](#)

----- Manual continues below -----

WASHER INSTALLATION INSTRUCTIONS

INSTRUCCIONES PARA LA INSTALACIÓN DE LA LAVADORA

INSTRUCTIONS POUR L'INSTALLATION DE LA LAVEUSE

Table of Contents / Índice / Table des matières

WASHER SAFETY 1	SEGURIDAD DE LA LAVADORA 9	SÉCURITÉ DE LA LAVEUSE 16
INSTALLATION REQUIREMENTS 2	REQUISITOS DE INSTALACIÓN 9	EXIGENCES D'INSTALLATION 17
Tools and Parts..... 2	Herramientas y piezas..... 9	Outils et pièces..... 17
Location Requirements..... 3	Requisitos de ubicación..... 10	Exigences d'emplacement 18
Drain System..... 3	Sistema de desagüe 10	Système de vidange 18
Electrical Requirements..... 4	Requisitos eléctricos..... 11	Spécifications électriques..... 19
INSTALLATION INSTRUCTIONS 4	INSTRUCCIONES DE INSTALACIÓN 12	INSTRUCTIONS D'INSTALLATION 19
Before You Start..... 4	Antes de empezar 12	Avant de commencer 19
Remove Shipping Materials..... 4	Cómo quitar el material de transporte..... 12	Retrait du matériel d'expédition..... 19
Connect Drain Hose..... 6	Cómo conectar la manguera de desagüe.. 13	Raccordement du tuyau de vidange 21
Connect the Inlet Hoses 6	Conecte las mangueras de entrada 13	Raccordement des tuyaux d'arrivée d'eau 21
Secure the Drain Hose..... 7	Asegure la manguera de desagüe..... 14	Immobilisation du tuyau de vidange..... 22
Level the Washer..... 7	Nivele la lavadora..... 15	Réglage de l'aplomb de la laveuse..... 23
Complete Installation 8	Complete la instalación..... 16	Achever l'installation 24

WASHER SAFETY

Your safety and the safety of others are very important.

We have provided many important safety messages in this manual and on your appliance. Always read and obey all safety messages.



This is the safety alert symbol.

This symbol alerts you to potential hazards that can kill or hurt you and others.

All safety messages will follow the safety alert symbol and either the word "DANGER" or "WARNING."

These words mean:

⚠ DANGER

You can be killed or seriously injured if you don't immediately follow instructions.

⚠ WARNING

You can be killed or seriously injured if you don't follow instructions.

All safety messages will tell you what the potential hazard is, tell you how to reduce the chance of injury, and tell you what can happen if the instructions are not followed.

INSTALLATION REQUIREMENTS

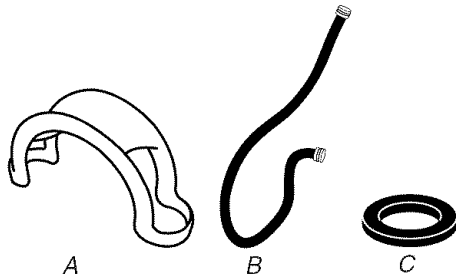
Tools and Parts

Gather the required tools and parts before starting installation. The parts supplied are in the washer basket.

Tools needed for connecting the drain hose and water inlet hoses:

- Pliers that open to 1 $\frac{1}{16}$ " (3.95 cm)
- Flashlight (optional)

Parts supplied:



A. Drain hose form
B. Water inlet hoses (2)
C. Flat water inlet hose washers (4)

Tools needed for securing the drain hose and leveling the washer:

- Adjustable or open end wrench $\frac{9}{16}$ " (14 mm)
- Wood block
- Level
- Ruler or measuring tape

Parts supplied:



A. Beaded tie strap
B. Front leveling feet with nuts (2)

Alternate Parts

Your installation may require additional parts. For ordering information, please refer to the toll-free phone numbers on the front page of the Washer User Instructions.

If You Have:	You Will Need to Buy:
Laundry tub or standpipe taller than 96" (2.4 m)	Sump pump system (if not already available)
1" (2.5 cm) diameter standpipe	1 $\frac{1}{4}$ " (3.2 cm) diameter to 1" (2.5 cm) diameter standpipe adapter, Part Number 280130
Overhead sewer	Standard 20 gal. (76 L) 39" (99 cm) tall drain tub or utility sink, sump pump and connectors (available from local plumbing suppliers)
Floor drain	Siphon break kit, Part Number 280129; additional drain hose, Part Number 3357090
Water faucets beyond reach of fill hoses	2 longer water fill hoses: 6 ft (1.8 m) Part Number 76314, 10 ft (3.0 m) Part Number 350008
Drain hose too short	Kit Part Number 280131
Lint clogged drain	Drain protector, Part Number 367031

Location Requirements

Selecting the proper location for your washer improves performance and minimizes noise and possible washer “walk.” Your washer can be installed in a basement, laundry room, closet, or recessed area. See “Drain System.”

IMPORTANT: Do not install or store the washer where it will be exposed to the weather.

Proper installation is your responsibility.

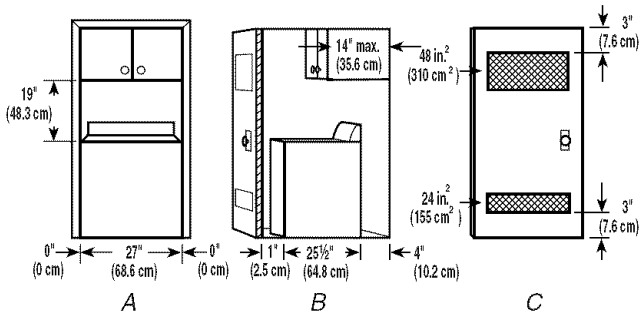
You will need:

- A water heater set to deliver 120°F (49°C) water to the washer.
- A grounded electrical outlet located within 4 ft (1.2 m) of where the power cord is attached to the back of the washer. See “Electrical Requirements.”
- Hot and cold water faucets located within 3 ft (90 cm) of the hot and cold water fill valves, and water pressure of 5-100 psi (34.5-690 kPa). Washers with triple dispensers require 20-100 psi (138-690 kPa) for best performance.
- A level floor with a maximum slope of 1" (2.5 cm) under entire washer. Installing the washer on carpeting is not recommended.
- A sturdy floor to support the washer weight (washer, water and load) of 315 lbs (143 kgs).

Do not store or operate your washer in temperatures at or below 32°F (0°C). Some water can remain in the washer and can cause damage in low temperatures. See “Washer Care” in the Washer User Instructions for winterizing information.

Recessed area or closet installation

The dimensions shown are for the recommended spacing allowed (A and B), except the closet door ventilation openings (C) are the minimum required.



A. Front view
B. Side view
C. Closet door with vents

- Additional spacing should be considered for ease of installation and servicing.
- Additional clearances may be required for wall, door and floor moldings.
- Additional spacing of 1" (2.5 cm) on all sides of the washer is recommended to reduce noise transfer.
- If a closet door is installed, the minimum air openings in the top and bottom of the door are required (C). Louvered doors with air openings in the top and bottom are acceptable.
- Companion appliance spacing should also be considered.

Drain System

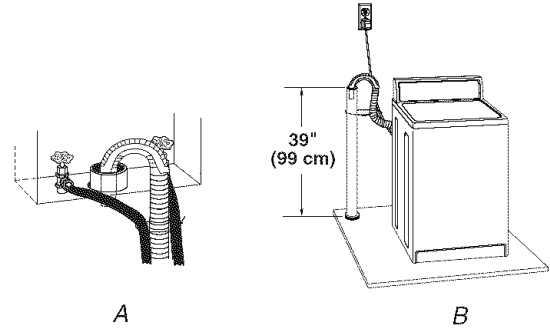
The washer can be installed using the standpipe drain system (floor or wall), the laundry tub drain system, or the floor drain system. Select the drain hose installation method you need. See “Tools and Parts.”

Standpipe drain system—wall or floor (views A & B)

The standpipe drain requires a minimum diameter standpipe of 2" (5 cm). The minimum carry-away capacity can be no less than 17 gal. (64 L) per minute. A 1¼" (3.2 cm) diameter to 1" (2.5 cm) diameter standpipe adapter kit is available. See “Tools and Parts.”

The top of the standpipe must be at least 39" (99 cm) high and no higher than 96" (244 cm) from the bottom of the washer.

To avoid siphoning, no more than 8" (20.3 cm) of drain hose should be inside the standpipe. Secure drain hose with beaded tie strap.



Laundry tub drain system (view C)

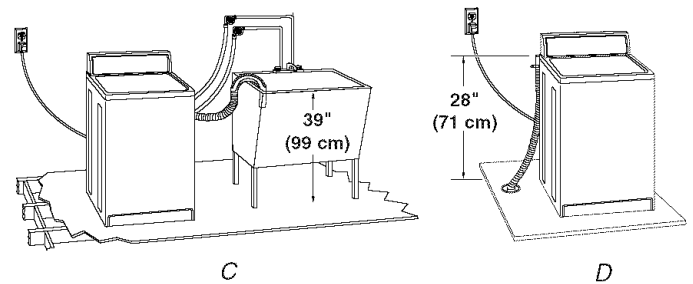
The laundry tub needs a minimum 20 gal. (76 L) capacity. The top of the laundry tub must be at least 39" (99 cm) above the floor and no higher than 96" (244 cm) from the bottom of the washer.

Floor drain system (view D)

The floor drain system requires a siphon break that may be purchased separately. See “Tools and Parts.”

The siphon break must be a minimum of 28" (71 cm) from the bottom of the washer. Additional hoses might be needed.

To avoid siphoning, no more than 8" (20.3 cm) of drain hose should be below the top of the wash tub. Secure drain hose with beaded tie strap.



Electrical Requirements

⚠ WARNING



Electrical Shock Hazard

Plug into a grounded 3 prong outlet.

Do not remove ground prong.

Do not use an adapter.

Do not use an extension cord.

Failure to follow these instructions can result in death, fire, or electrical shock.

- A 120 volt, 60 Hz., AC only, 15- or 20-amp, fused electrical supply is required. A time-delay fuse or circuit breaker is recommended. It is recommended that a separate circuit serving only this appliance be provided.
- This washer is equipped with a power supply cord having a 3 prong grounding plug.
- To minimize possible shock hazard, the cord must be plugged into a mating, 3 prong, grounding-type outlet, grounded in accordance with local codes and ordinances. If a mating outlet is not available, it is the personal responsibility and obligation of the customer to have the properly grounded outlet installed by a qualified electrician.
- If codes permit and a separate ground wire is used, it is recommended that a qualified electrician determine that the ground path is adequate.

- Do not ground to a gas pipe.
- Check with a qualified electrician if you are not sure the washer is properly grounded.
- Do not have a fuse in the neutral or ground circuit.

GROUNDING INSTRUCTIONS

For a grounded, cord-connected washer:

This washer must be grounded. In the event of a malfunction or breakdown, grounding will reduce the risk of electrical shock by providing a path of least resistance for electric current. This washer is equipped with a cord having an equipment-grounding conductor and a grounding plug. The plug must be plugged into an appropriate outlet that is properly installed and grounded in accordance with all local codes and ordinances.

WARNING: Improper connection of the equipment-grounding conductor can result in a risk of electric shock. Check with a qualified electrician or serviceman if you are in doubt as to whether the appliance is properly grounded.

Do not modify the plug provided with the appliance – if it will not fit the outlet, have a proper outlet installed by a qualified electrician.

For a permanently connected washer:

This washer must be connected to a grounded metal, permanent wiring system, or an equipment grounding conductor must be run with the circuit conductors and connected to the equipment-grounding terminal or lead on the appliance.

INSTALLATION INSTRUCTIONS

Before You Start

⚠ WARNING

Excessive Weight Hazard

Use two or more people to move and install washer.

Failure to do so can result in back or other injury.

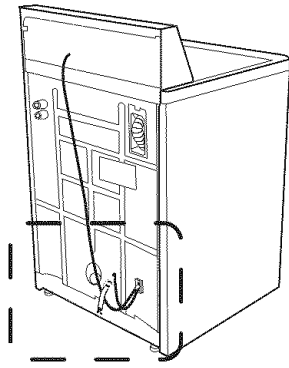
NOTE: To avoid floor damage, set the washer onto cardboard before moving across floor.

Remove Shipping Materials

Removing the shipping material is necessary for proper operation. If the shipping material is not removed, the washer will make excessive noise.

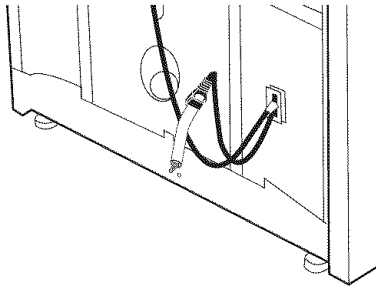
1. Move the washer to within approximately 3 ft (90 cm) of its final location.
2. The washer must be in the upright position and not tilted before removing the shipping material.
3. Locate the yellow shipping materials on the rear of the machine, near the bottom. Follow the steps for your particular model, either the one with the straight power cord and cord restraint or the looped power cord version.

Straight power cord

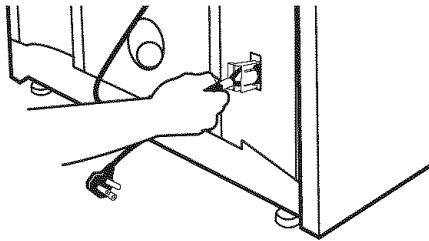


Straight power cord

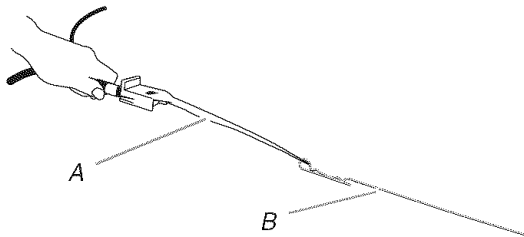
1. Remove power plug and yellow strap from machine base to release the rear leveling system.



2. Firmly grasp the power cord and pull to completely remove the power cord, cord restraint, and pin from the rear panel.

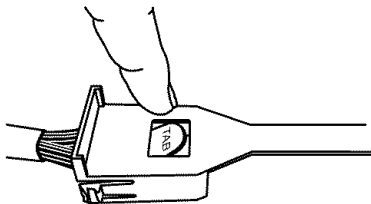


3. Confirm that the power cord restraint (A), and pin (B) are removed.

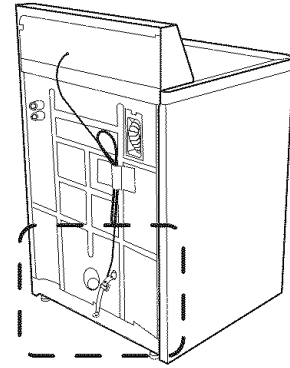


A. Power cord restraint B. Pin

4. To remove the power cord from the cord restraint, push the power cord in, press TAB, and then pull the power cord out.

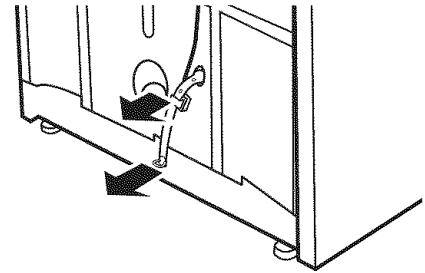


Looped power cord

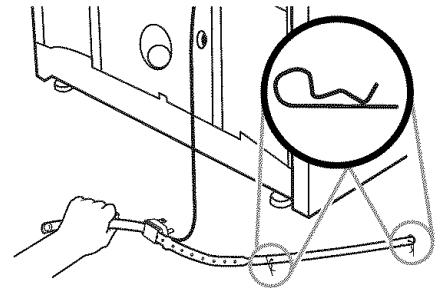


Looped power cord

1. Firmly grasp the yellow shipping strap and pull until both ends are completely removed from washer.



2. Check that two (2) cotter pins were removed with the shipping strap.

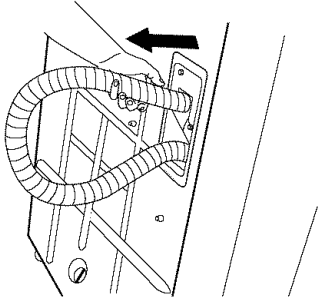


Connect Drain Hose

Proper connection of the drain hose protects your floors from damage due to water leakage. Read and follow these instructions. The drain hose is connected to your washer and is stored inside the washer cabinet.

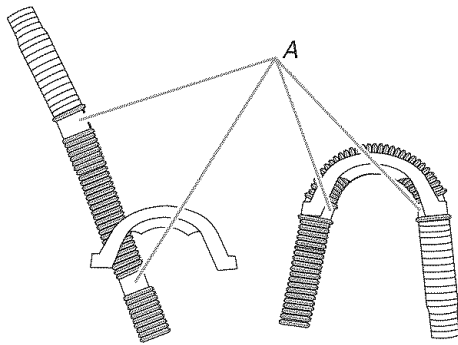
Remove drain hose from washer cabinet

Gently pull the corrugated drain hose out of the washer from the top of the hose. Continue to pull the hose until the end emerges. Do not force excess drain hose back into the rear of the washer.



Laundry tub drain or standpipe drain

Connecting the drain hose form to the corrugated drain hose



A. Drain hose reliefs

1. Feed end of drain hose into one end of form. Place end of drain hose form into the drain hose relief.
2. Bend the hose over the top of the form and feed into the other end of the form.

To keep drain water from going back into the washer:

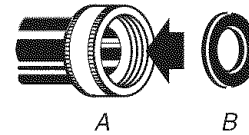
- Do not force excess drain hose into standpipe. Hose should be secure but loose enough to provide a gap for air.
- Do not lay excess hose on the bottom of the laundry tub.

Floor drain

Do not install the drain hose form on to the corrugated drain hose. You may need additional parts. See Floor drain under "Tools and Parts."

Connect the Inlet Hoses

The washer must be connected to the water faucets using the new inlet hoses. Do not use old hoses. Insert new flat washers (supplied) into each end of the inlet hoses. Firmly seat the washers in the couplings.

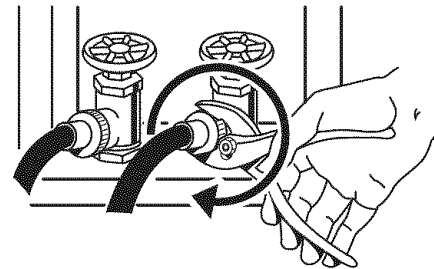


A. Coupling
B. Washer

Connect the inlet hoses to the water faucets

Make sure the washer basket is empty.

1. Attach the hose labeled hot to the hot water faucet. Screw on coupling by hand until it is seated on the washer.
2. Attach the hose labeled cold to the cold water faucet. Screw on coupling by hand until it is seated on the washer.
3. Using pliers, tighten the couplings with an additional two-thirds turn.

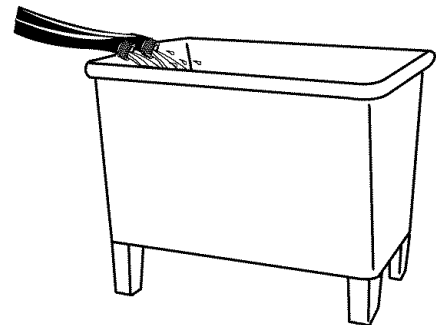


Tighten the couplings with an additional two-thirds turn.

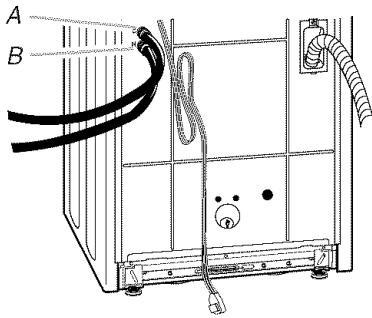
NOTE: Do not overtighten or use tape or sealants on the valve. Damage to the valves can result.

Clear the water lines

- Run water through both faucets and inlet hoses, into a laundry tub, drainpipe or bucket, to get rid of particles in the water lines that might clog the inlet valve screens.
- Check the temperature of the water to make sure that the hot water hose is connected to the hot water faucet and that the cold water hose is connected to the cold water faucet.

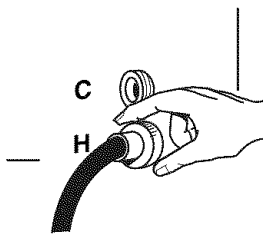


Connect the inlet hoses to the washer

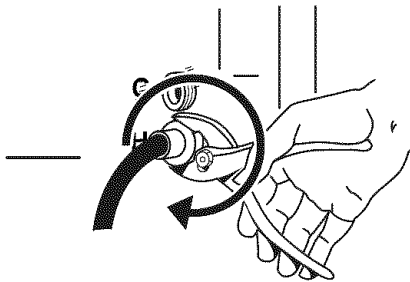


A. Cold water inlet valve
B. Hot water inlet valve

1. Attach the hot water hose to the bottom inlet valve.
2. Attaching the hot water coupling first makes it easier to tighten connection with pliers.
3. Screw on coupling by hand until it is seated on the washer.



4. Using pliers, tighten the couplings with an additional two-thirds turn.
NOTE: Do not overtighten or use tape or sealants on the valve. Damage to the valves can result.



5. Attach the cold water hose to the top inlet valve.
6. Screw on coupling by hand until it is seated on the washer.
7. Using pliers, tighten the couplings with an additional two-thirds turn.
NOTE: Do not overtighten or use tape or sealants on the valve. Damage to the valves can result.

Check for leaks

Turn on the water faucets and check for leaks. A small amount of water might enter the washer. You will drain this later.

NOTE: Replace inlet hoses after 5 years of use to reduce the risk of hose failure. Record hose installation or replacement dates for future reference.

- If you connect only one water hose, you must cap off the remaining water inlet port.
- Periodically inspect and replace hoses if bulges, kinks, cuts, wear, or leaks are found.

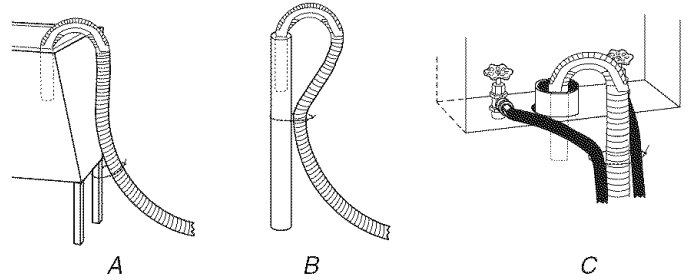
Secure the Drain Hose

1. Remove the shipping material from the power cord. Drape the power cord over the console.
2. Remove any cardboard used to move washer.



Beaded tie strap

3. Wrap the drain hose to the laundry tub leg, drain standpipe or inlet hoses, with the beaded tie strap. Push fastener into the nearest hole in the beaded tie strap. See view A or B.



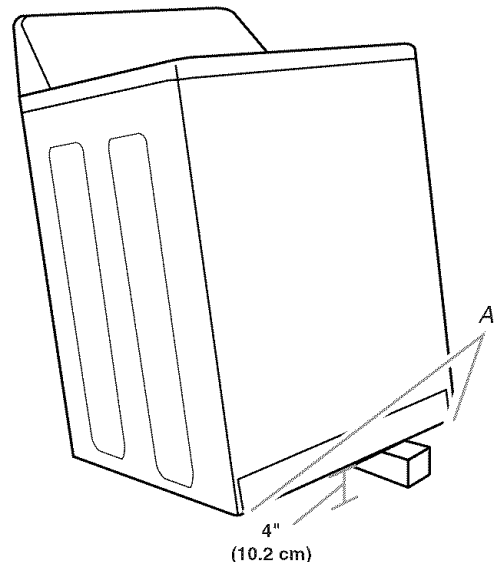
If the washer faucets and the drain standpipe are recessed, put the formed end of the drain hose into the standpipe. Tightly wrap the tie strap around the water inlet hoses and the drain hose. See view C.

Level the Washer

Properly leveling your washer avoids excessive noise and vibration.

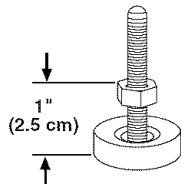
Install the Front Leveling Feet

1. Prop up the front of the washer about 4" (10.2 cm) with a wood block or similar object. The block needs to support the weight of the washer.



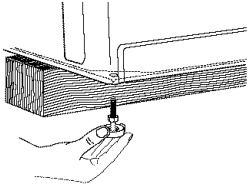
A. Threaded holes for feet

- Screw the locknut onto each foot to within 1" (2.5 cm) of the foot base.



- Screw the feet into the threaded holes at the front corner of the washer until the nuts touch the washer. Twist the feet to install.

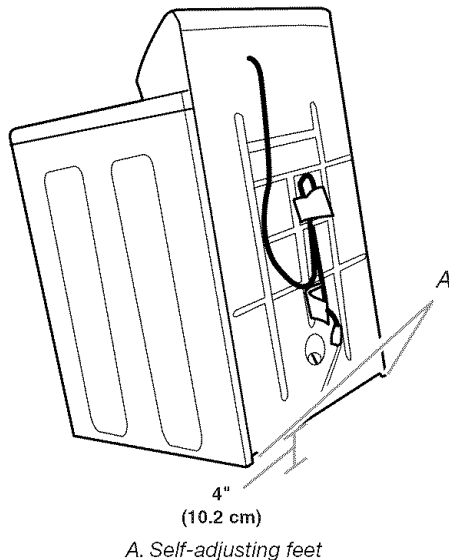
NOTE: Do not tighten the nuts until the washer is level.



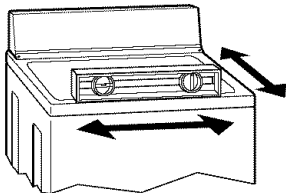
- Tilt the washer back and remove the wood block. Gently lower the washer to the floor.

Steps in Final Location

- Slide the washer to its final location.
- Tilt the washer forward until the rear of the washer is at least 4" (10.2 cm) off the floor. You may hear the self-adjusting rear feet click into place. Lower the washer to the floor.

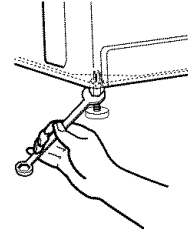


- Check the levelness of the washer by placing a level on the top edges of the washer, first side to side, then front to back.



- If the washer is not level, move the washer out slightly, tip back, prop up the front of the washer with the wood block and adjust the feet up or down as necessary by twisting the feet. Turn the feet clockwise to raise the washer or counterclockwise to lower the washer. Repeat steps 1 through 4 until washer is level.
- After the washer is in the final location and level, use a $\frac{1}{16}$ " or 14 mm open-end wrench to turn the nuts counterclockwise on the feet tightly against the washer cabinet.

IMPORTANT: If the nuts are not tight against the washer cabinet, the washer may vibrate.



Complete Installation

- Check the electrical requirements. Be sure that you have the correct electrical supply and the recommended grounding method. See "Electrical Requirements."
- Check that all parts are now installed. If there is an extra part, go back through the steps to see which step was skipped.
- Check that you have all of your tools.
- Check that the yellow shipping materials were completely removed from the lower back of the washer.
- Dispose of/recycle all packaging materials.
- Check that the water faucets are on.
- Check for leaks around faucets and inlet hoses.

⚠ WARNING



Electrical Shock Hazard

Plug into a grounded 3 prong outlet.

Do not remove ground prong.

Do not use an adapter.

Do not use an extension cord.

Failure to follow these instructions can result in death, fire, or electrical shock.

- Plug into a grounded 3 prong outlet.
- Remove the protective film on the console and any tape remaining on the washer.
- Read "Washer Use" in the Washer User Instructions.
- To test and to clean your washer, measure $\frac{1}{2}$ of the normal recommended amount of powdered or liquid detergent and pour it into the washer basket or detergent dispenser (on some models). Close the lid. Select any cycle, and then pull the cycle control knob out to start the washer. Allow it to complete one whole cycle.

INSTRUCCIONES PARA LA INSTALACIÓN DE LA LAVADORA

SEGURIDAD DE LA LAVADORA

Su seguridad y la seguridad de los demás es muy importante.

Hemos incluido muchos mensajes importantes de seguridad en este manual y en su electrodoméstico. Lea y obedezca siempre todos los mensajes de seguridad.



Este es el símbolo de advertencia de seguridad.

Este símbolo le llama la atención sobre peligros potenciales que pueden ocasionar la muerte o una lesión a usted y a los demás.

Todos los mensajes de seguridad irán a continuación del símbolo de advertencia de seguridad y de la palabra "PELIGRO" o "ADVERTENCIA". Estas palabras significan:

PELIGRO

Si no sigue las instrucciones de inmediato, usted puede morir o sufrir una lesión grave.

ADVERTENCIA

Si no sigue las instrucciones, usted puede morir o sufrir una lesión grave.

Todos los mensajes de seguridad le dirán el peligro potencial, le dirán cómo reducir las posibilidades de sufrir una lesión y lo que puede suceder si no se siguen las instrucciones.

REQUISITOS DE INSTALACIÓN

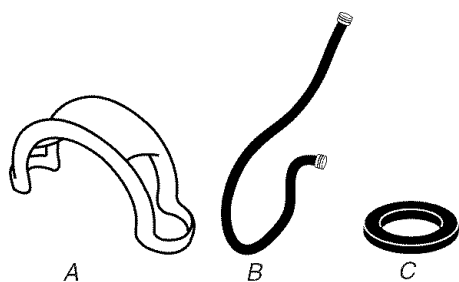
Herramientas y piezas

Reúna las herramientas y piezas necesarias antes de comenzar la instalación. Las piezas provistas están en la canasta de la lavadora.

Herramientas necesarias para conectar la manguera de desagüe y las mangueras de entrada del agua:

- Alicates que se abran a $1\frac{1}{16}$ " (3,95 cm)
- Linterna (opcional)

Piezas proporcionadas:



A. Molde de la manguera de desagüe
B. Mangueras de entrada del agua (2)
C. Arandelas planas para mangueras de entrada del agua (4)

Herramientas necesarias para asegurar la manguera de desagüe y nivelar la lavadora:

- Llave de tuercas ajustable o de extremo abierto de $\frac{1}{16}$ " (14 mm)
- Bloque de madera
- Regla o cinta métrica
- Nivel

Piezas proporcionadas:



A. Fleje de atadura rebordeado
B. Patas niveladoras delanteras con tuercas (2)

Piezas alternativas

Su instalación puede requerir piezas suplementarias. Para información sobre cómo pedir, sírvase referirse a los números gratuitos ubicados en la portada de sus Instrucciones para el usuario de la lavadora.

Si tiene:	Tendrá que comprar:
Un lavadero o tubo vertical de una altura mayor de 96" (2,4 m)	Un sistema de bomba de sumidero (si ya no está disponible)
Un tubo vertical de 1" (2,5 cm) de diámetro	Un adaptador para tubo vertical de 1¼" (3,2 cm) de diámetro a 1" (2,5 cm) de diámetro, Pieza No. 280130
Una alcantarilla suspendida	Una tina normal de desagüe de 20 galones (76 L) de 39" (99 cm) de altura o un fregadero de uso general, una bomba de sumidero y conectores (se pueden adquirir en los establecimientos de fontanería locales)
Un desagüe por el piso	Desviación del sifón, Pieza No. 280129; manguera de desagüe adicional, Pieza No. 3357090
Grifos del agua fuera del alcance de las mangueras de llenado	Dos mangueras de llenado más largas: una de 6 pies (1,8 m), Pieza No. 76314 y otra de 10 pies (3,0 m) Pieza No. 350008
Una manguera de desagüe demasiado corta	Pieza del juego No. 280131
Desagüe obstruido por pelusa	Protector de desagüe, Pieza No. 367031

Requisitos de ubicación

La selección de un lugar apropiado para su lavadora realza el rendimiento y reduce el ruido y la posible "caminata" de la lavadora.

Su lavadora puede ser instalada en un sótano, lavandería, clóset o un área empotrada. Vea la sección "Sistema de desagüe".

IMPORTANTE: No instale o guarde la lavadora en un lugar en donde esté expuesta a la intemperie.

La instalación adecuada es responsabilidad suya.

Usted necesitará:

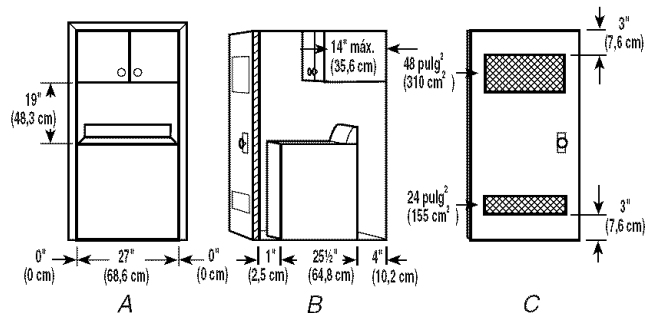
- Un calentador de agua equipado para suministrar agua a 120°F (49°C) de temperatura a la lavadora.
- Un contacto de pared conectado a tierra que esté ubicado a una distancia no mayor de 4 pies (1,2 m) del lugar donde el cable eléctrico está conectado con la parte trasera de la lavadora. Vea "Requisitos eléctricos".
- Grifos de agua caliente y agua fría ubicados a una distancia no mayor de 3 pies (90 cm) de las válvulas de llenado del agua caliente y agua fría y una presión de agua de 5-100 lbs/pulg² (34,5-690 kPa). Las lavadoras con depósitos triples necesitan 20-100 lbs/pulg² (138-690 kPa) para un óptimo rendimiento.

- Un piso nivelado con un declive máximo de 1" (2,5 cm) debajo de toda la lavadora. No es recomendable instalar la lavadora sobre un tapete.
- Un piso resistente que sostenga el peso de la lavadora (la lavadora, el agua y la carga) de 315 lbs (143 kgs).

No guarde ni ponga a funcionar su lavadora a una temperatura igual o inferior a 32°F (0°C). Podría quedar un poco de agua en la lavadora y ocasionar daños a bajas temperaturas. Vea "Cuidado de la lavadora" en las Instrucciones para el usuario de la lavadora para obtener información respecto al acondicionamiento de su lavadora para el invierno.

Instalación en un área empotrada o en un clóset

Las dimensiones que se ilustran son para el espacio permitido (A y B) que se recomienda, a excepción de las aberturas de ventilación de la puerta del clóset. Las dimensiones ilustradas para las aberturas de ventilación (C) de la puerta del clóset son las mínimas permitidas.



A. Vista de frente

B. Vista lateral

C. Puerta del clóset con orificios de ventilación

- Se debe considerar un espacio adicional para facilitar la instalación y el servicio de reparación.
- Quizás sea necesario dejar espacios libres adicionales para las molduras de pared, puerta y piso.
- Para reducir la transferencia de sonidos se recomienda dejar un espacio libre adicional de 1" (2,5 cm) en todos los costados de la lavadora.
- Si se instala una puerta de clóset, es necesario dejar las aberturas de aire mínimas en la parte superior e inferior de la puerta (C). Son aceptables las puertas con persianas que tengan aberturas de aire equivalentes en la parte superior e inferior.
- Se debe considerar también un espacio para otro electrodoméstico que lo acompañe.

Sistema de desagüe

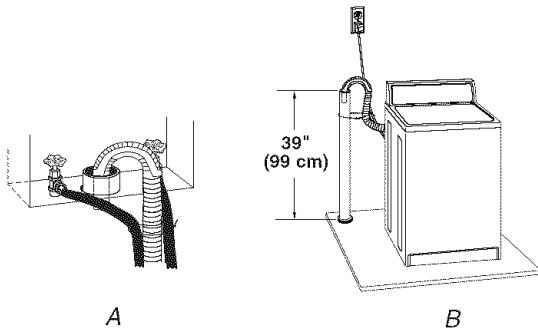
Se puede instalar la lavadora usando el sistema de desagüe de tubo vertical (piso o pared), el sistema de desagüe en un lavadero o el sistema de desagüe en el piso. Elija el sistema de instalación de la manguera de desagüe que necesite. Vea "Herramientas y piezas".

Sistema de desagüe de tubo vertical— piso o pared (vistas A y B)

El sistema de desagüe de tubo vertical requiere de un tubo vertical con un diámetro mínimo de 2" (5 cm). La capacidad mínima de desalojo no puede ser menor de 17 gal. (64 L) por minuto. Se dispone de un juego de adaptador para tubo vertical de 1¼" (3,2 cm) a 1" (2,5 cm) de diámetro. Vea "Herramientas y piezas".

La parte superior del tubo vertical deberá estar a 39" (99 cm) de altura cuando menos y no podrá estar a más de 96" (244 cm) desde la base de la lavadora.

Para evitar el efecto de sifón, no debe haber más de 8" (20,3 cm) de manguera de desagüe dentro del tubo vertical. Ajuste la manguera de desagüe con un fleje de atadura rebordeado.



Sistema de desagüe en un lavadero (vista C)

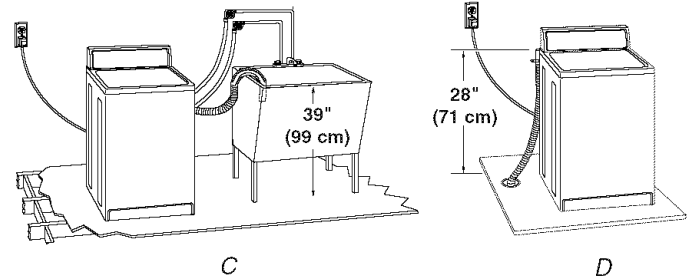
El lavadero debe tener una capacidad mínima de 20 gal. (76 L). La parte superior del lavadero debe estar a 39" (99 cm) de altura cuando menos sobre el piso y no podrá estar a más de 96" (244 cm) desde la base de la lavadora.

Sistema de desagüe en el piso (vista D)

El sistema de desagüe en el piso requiere de un interruptor de efecto de sifón que deberá comprarse por separado. Vea "Herramientas y piezas".

El interruptor de efecto de sifón deberá estar a 28" (71 cm) cuando menos de la base de la lavadora. Quizás se necesiten mangueras adicionales.

Para evitar el efecto de sifón, no debe haber más de 8" (20,3 cm) de manguera de desagüe debajo de la parte superior de la tina de lavado. Ajuste la manguera de desagüe con un fleje de atadura rebordeado.



Requisitos eléctricos

⚠ ADVERTENCIA



Peligro de Choque Eléctrico

Conecte a un contacto de pared de conexión a tierra de 3 terminales.

No quite la terminal de conexión a tierra.

No use un adaptador.

No use un cable eléctrico de extensión.

No seguir estas instrucciones puede ocasionar la muerte, incendio o choque eléctrico.

- Se requiere una fuente de alimentación eléctrica de 120 Voltios, 60-Hz. de CA únicamente, de 15 ó 20 Amperios, dotada de fusibles. Se recomienda un fusible de acción retardada o un disyuntor. Es recomendable suministrar un circuito individual exclusivamente para este electrodoméstico.
- Esta lavadora viene con un cable de alimentación con un enchufe de 3 vías para conectar a tierra.
- Para reducir la posibilidad de choques eléctricos, el cable de alimentación debe enchufarse a un tomacorriente de pared equivalente de 3 vías con conexión a tierra, de acuerdo con todos los códigos y reglamentos locales. Si no se dispone de un tomacorriente equivalente, es la responsabilidad y obligación personal del usuario ordenar a un electricista calificado la instalación de un tomacorriente apropiado, conectado a tierra.
- Si está permitido en los códigos y se utiliza un alambre a tierra separado, es recomendable que un electricista calificado determine cuál es la ruta adecuada a tierra.

- No conecte a tierra usando una tubería de gas.
- Si no está seguro que su lavadora está conectada a tierra correctamente, haga que un electricista calificado lo compruebe.
- No instale un fusible en el circuito neutral o de tierra.

INSTRUCCIONES PARA LA CONEXIÓN A TIERRA

Para una lavadora conectada a tierra con cable eléctrico:

Esta lavadora debe conectarse a tierra. En caso de funcionamiento defectuoso o avería, la conexión a tierra reducirá el riesgo de choque eléctrico al proporcionar una vía de menor resistencia para la corriente eléctrica. Esta lavadora viene equipada con un cable eléctrico que tiene un conductor de conexión a tierra del equipo y un enchufe con conexión a tierra. El enchufe debe conectarse en un contacto de pared apropiado que haya sido debidamente instalado y conectado a tierra de conformidad con todos los códigos y ordenanzas locales.

ADVERTENCIA: La conexión incorrecta de la terminal de conexión a tierra del equipo puede ocasionar un riesgo de choque eléctrico. Consulte con un electricista o técnico en reparaciones calificado si tiene duda alguna en cuanto a la conexión a tierra correcta del electrodoméstico.

No modifique el enchufe provisto con el electrodoméstico. Si éste no encaja en el contacto de pared, pida a un electricista calificado que le instale un contacto de pared apropiado.

Para una lavadora con contacto eléctrico permanente:

Esta lavadora debe conectarse a un metal puesta a tierra, un sistema con cableado permanente a tierra o conectarse a un equipo cuyo suministro incluya una terminal de tierra.

INSTRUCCIONES DE INSTALACIÓN

Antes de empezar

⚠ ADVERTENCIA

Peligro de Peso Excesivo

Use dos o más personas para mover e instalar la lavadora.

No seguir esta instrucción puede ocasionar una lesión en la espalda u otro tipo de lesiones.

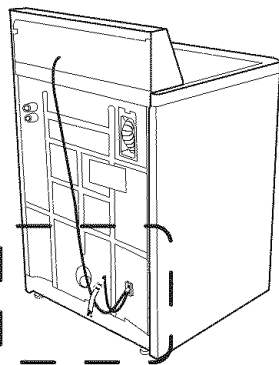
NOTA: Para evitar daños al piso, coloque la lavadora sobre un cartón antes de moverla por el piso.

Cómo quitar el material de transporte

Para un funcionamiento adecuado es necesario quitar el material de transporte. Si no se quita el material de transporte, la lavadora producirá ruido excesivo.

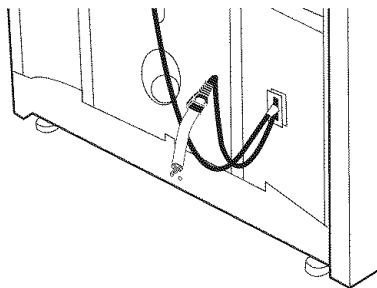
1. Mueva la lavadora a no más de aproximadamente 3 pies (90 cm) de su ubicación final.
2. La lavadora debe estar en posición vertical y no inclinada antes de quitar el material de transporte.
3. Ubique el material de transporte amarillo en la parte posterior de la máquina, cerca de la base. Siga los pasos para su modelo en particular, ya sea que tenga un cable de suministro de energía derecho y una sujeción de cable o un cable de suministro de energía enlazado.

Cable de suministro de energía derecho

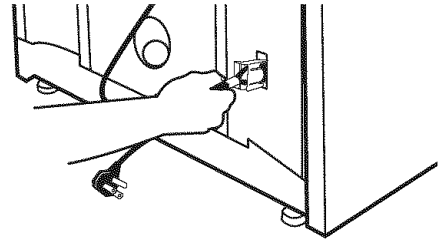


Cable de suministro de energía derecho

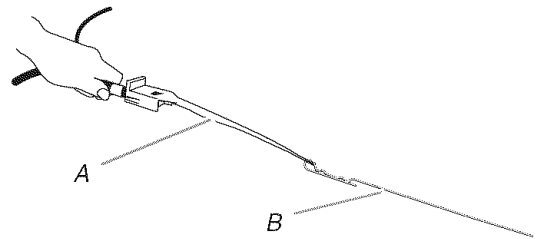
1. Quite el enchufe de suministro de energía y el fleje amarillo de la base de la máquina para liberar el sistema de nivelación posterior.



2. Tome con firmeza el cable de suministro de energía y jálelo para quitar por completo el cable de suministro de energía, la sujeción de cable y la chaveta del panel posterior.

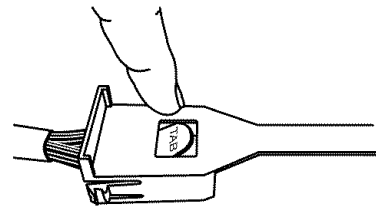


3. Confirme que se hayan quitado la sujeción de cable (A) y la chaveta (B).

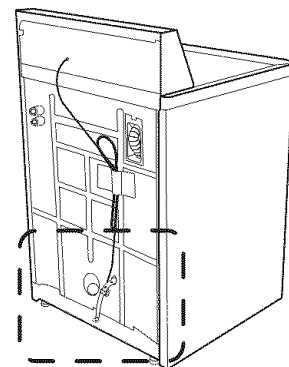


A. Sujeción de cable B. Chaveta

4. Para quitar el cable de suministro de energía de la sujeción de cable, empuje el cable hacia adentro, presione TAB (lengüeta) y luego jale el cable hacia fuera.

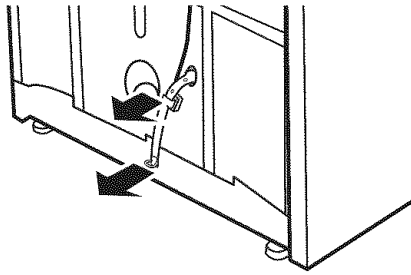


Cable de suministro de energía enlazado

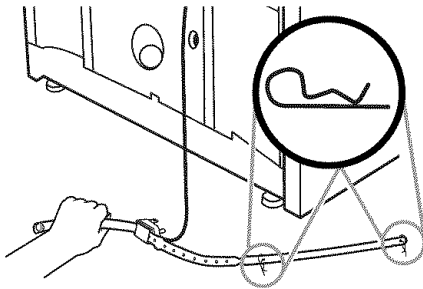


Cable de suministro de energía enlazado

1. Tome el fleje de embalaje amarillo con firmeza y jálelo hasta quitar completamente ambos extremos de la lavadora.



2. Verifique que las dos (2) chavetas se hayan quitado con el fleje de embalaje.



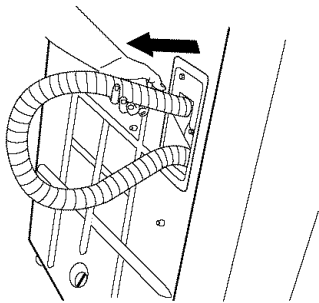
Cómo conectar la manguera de desagüe

La conexión apropiada de la manguera de desagüe protege a sus pisos de los daños causados por fugas de agua. Lea y siga estas instrucciones.

La manguera de desagüe está conectada a su lavadora y se guarda en el interior del gabinete de la lavadora.

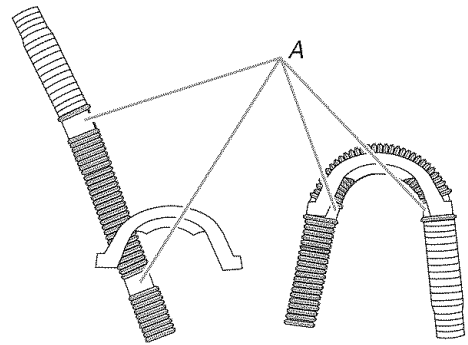
Cómo sacar la manguera de desagüe del gabinete de la lavadora

Tire cuidadosamente de la parte superior de la manguera de desagüe corrugada para sacarla de la lavadora. Siga tirando de la manguera hasta que aparezca el tramo final. No fuerce el excedente de la manguera de regreso a la parte posterior de la lavadora.



Desagüe de la tina de lavadero o desagüe de tubo vertical

Cómo conectar el molde de la manguera de desagüe a la manguera de desagüe corrugada



A. Hendiduras de la manguera de desagüe

1. Haga pasar el extremo de la manguera de desagüe dentro de un extremo del molde. Coloque el extremo del molde de la manguera de desagüe en la hendidura de la manguera de desagüe.
2. Doble la manguera sobre la parte superior del molde y hágala pasar por el otro extremo del molde.

Cómo evitar que el agua del desagüe regrese a la lavadora:

- No fuerce el excedente de la manguera de desagüe en el tubo vertical. La manguera debe estar afianzada pero lo suficientemente suelta para proveer un espacio para el aire.
- No coloque el excedente de la manguera en el fondo del lavadero.

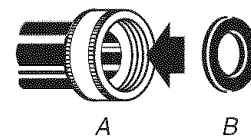
Desagüe por el piso

No instale el molde de la manguera de desagüe dentro de la manguera de desagüe corrugada. Quizás se necesiten partes adicionales. Vea Desagüe en el piso en "Herramientas y partes".

Conecte las mangueras de entrada

La lavadora debe conectarse a los grifos de agua usando las mangueras de entrada nuevas. No use mangueras viejas.

Introduzca las nuevas arandelas planas (provisitas con la lavadora) en cada extremo de las mangueras de entrada. Asiente las arandelas con firmeza en los acoplamientos.



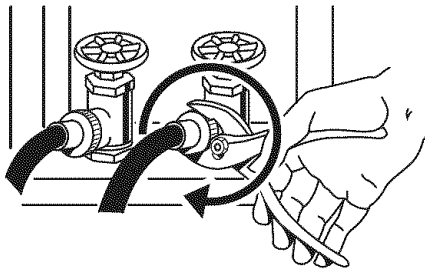
A. Acoplamiento
B. Arandela

Conecte las mangueras de entrada a los grifos del agua

Asegúrese de que la canasta de la lavadora esté vacía.

1. Conecte la manguera con la etiqueta "hot" (caliente) al grifo de agua caliente. Atornille el acoplamiento con la mano hasta asentarlo en la arandela.
2. Conecte la manguera con la etiqueta "cold" (frío) al grifo de agua fría. Atornille el acoplamiento con la mano hasta asentarlo en la arandela.

- Usando los alicates, apriete los acoplamientos dos tercios de vuelta adicional.

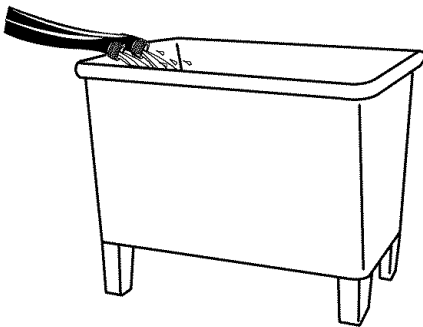


Apriete los acoplamientos dos tercios de vuelta adicional.

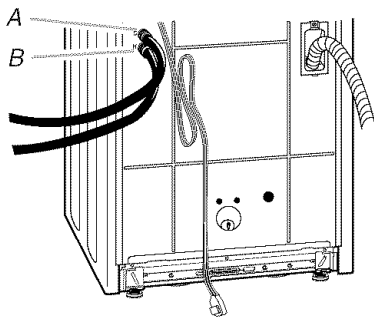
NOTA: No apriete demasiado ni use cinta o selladores en la válvula. Se pueden dañar las válvulas.

Limpie las tuberías del agua

- Deje correr el agua de los grifos y las mangueras de entrada en un lavadero, tubo de desagüe o cubeta para eliminar partículas que se encuentran en las tuberías del agua, las cuales podrían obstruir los filtros de la válvula de entrada.
- Verifique la temperatura del agua para asegurarse de que la manguera de agua caliente esté conectada al grifo de agua caliente y que la manguera de agua fría esté conectada al grifo de agua fría.



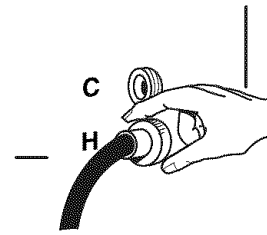
Conecte las mangueras de entrada a la lavadora



A. Válvula de entrada del agua fría
B. Válvula de entrada del agua caliente

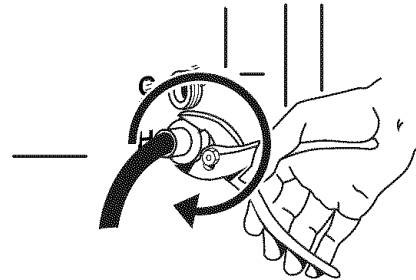
- Conecte la manguera de agua caliente a la válvula de entrada inferior.
- El conectar el acoplamiento de agua caliente primero facilita el ajuste de la conexión con los alicates.

- Atornille el acoplamiento con la mano hasta que se asiente en la arandela.



- Usando los alicates, apriete los acoplamientos dos tercios de vuelta adicional.

NOTA: No apriete demasiado ni use cinta o selladores en la válvula. Se pueden dañar las válvulas.



- Conecte la manguera de agua fría a la válvula de entrada del agua superior.
 - Atornille el acoplamiento con la mano hasta que se asiente en la arandela.
 - Usando los alicates, apriete los acoplamientos dos tercios de vuelta adicional.
- NOTA:** No apriete demasiado ni use cinta o selladores en la válvula. Se pueden dañar las válvulas.

Revise si hay pérdidas de agua

Abra los grifos del agua y revise si hay pérdidas. Es posible que entre un poco de agua en la lavadora, la cual podrá desaguar más tarde.

NOTA: Reemplace las mangueras de entrada después de cinco años de uso para reducir el riesgo de que fallen. Anote las fechas de instalación y de reposición de la manguera para consulta futura.

- Si conecta sólo una manguera de agua, debe tapar el orificio restante de entrada del agua.
- De vez en cuando inspeccione y reemplace las mangueras si encuentra bultos, torceduras, cortaduras, desgaste o pérdidas de agua.

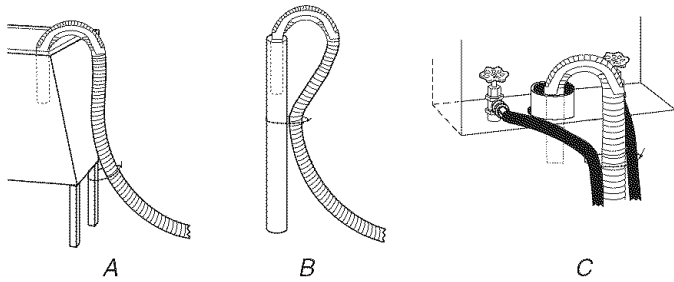
Asegure la manguera de desagüe

- Quite el fleje de embalaje del cable de suministro de energía. Acomode el cable eléctrico encima de la consola.
- Quite todo cartón que se usó para mover la lavadora.



Fleje rebordeado

- Enrolle la manguera de desagüe a la pata del lavadero, al tubo vertical o a las mangueras de entrada utilizando el fleje de atadura rebordeado. Empuje el ajustador hasta el orificio más cercano en el fleje de atadura rebordeado. Vea la ilustración A o B.



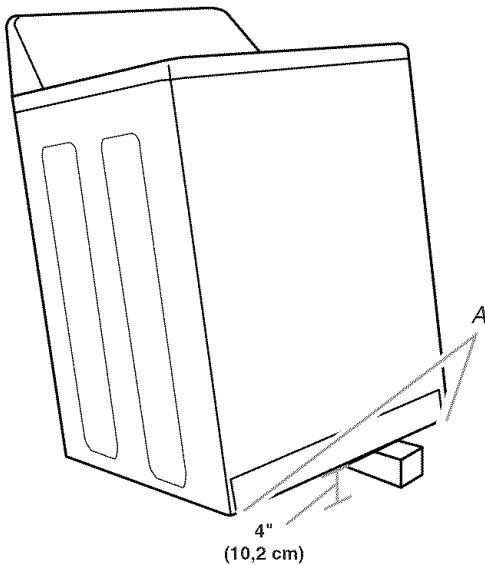
Si los grifos de la lavadora y el tubo vertical de desagüe están empotrados, ponga el extremo en forma de gancho de la manguera de desagüe en el tubo vertical. Enrolle con firmeza el fleje rebordeado alrededor de las mangueras de entrada del agua y la manguera de desagüe. Vea la ilustración C.

Nivele la lavadora

La nivelación adecuada de su lavadora previene la generación de ruidos y vibraciones excesivas.

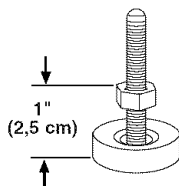
Instale las patas niveladoras delanteras

- Levante la parte delantera de la lavadora unas 4" (10,2 cm) con un bloque de madera o un objeto similar. El bloque tiene que soportar el peso de la lavadora.



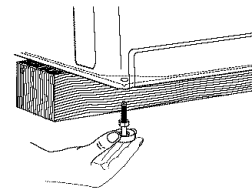
A. Orificios roscados para las patas

- Atornille la contratuerca en cada pata hasta 1" (2,5 cm) de la base.



- Atornille las patas en los orificios roscados en la esquina delantera de la lavadora hasta que las tuercas toquen la lavadora. Gire las patas para instalar.

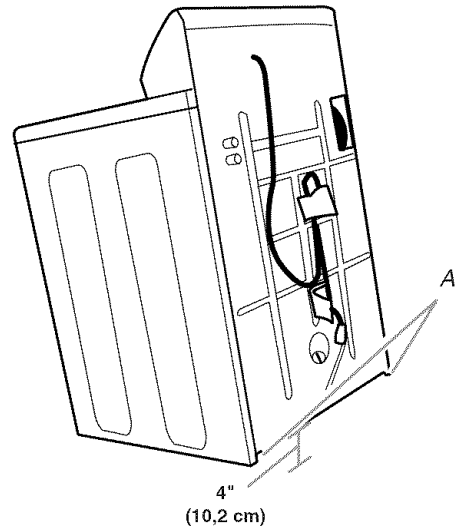
NOTA: No apriete las tuercas hasta que la lavadora esté nivelada.



- Incline la lavadora hacia atrás y quite el bloque de madera. Con cuidado baje la lavadora al piso.

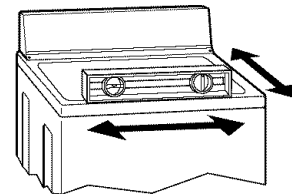
Pasos en la ubicación final

- Deslice la lavadora hasta su ubicación final.
- Incline la lavadora hacia delante hasta que la parte trasera de la lavadora esté por lo menos a 4" (10,2 cm) de distancia del piso. Usted podrá oír el chasquido de las patas traseras autoajustables al encajar en su lugar. Baje la lavadora al piso.



A. Patas traseras autoajustables

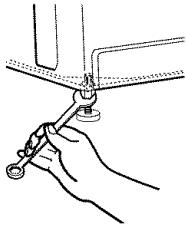
- Revise la nivelación de la lavadora colocando un nivel en los bordes superiores de la lavadora; en primer lugar de lado a lado y luego de frente hacia atrás.



- Si la lavadora no está nivelada, muévala ligeramente hacia fuera, inclínela hacia atrás, levante la parte delantera de la lavadora con el bloque de madera y ajuste las patas hacia arriba o hacia abajo según sea necesario girándolas. Gire las patas hacia la derecha para levantar la lavadora o hacia la izquierda para bajarla. Repita los pasos 1 a 4 hasta que la lavadora esté nivelada.

5. Después de que la lavadora esté en su ubicación final y nivelada, use una llave de boca de 9/16" (14 mm) para girar hacia la izquierda las tuercas de las patas y ajustarlas firmemente contra el gabinete de la lavadora.

IMPORTANTE: Si las tuercas no están bien apretadas contra el gabinete de la lavadora, la lavadora podría vibrar.



Complete la instalación

1. Revise los requisitos eléctricos. Asegúrese de tener el suministro eléctrico debido y el método de conexión a tierra recomendado. Vea la sección "Requisitos eléctricos".
2. Revise para cerciorarse de que todas las piezas ya estén instaladas. Si hay una pieza extra, vuelva atrás cada paso para ver cuál de ellos omitió.
3. Revise para cerciorarse de que tenga todas las herramientas.
4. Revise para cerciorarse de que el fleje de embalaje amarillo haya sido quitado completamente de la parte posterior de la lavadora.
5. Deshágase de todos los materiales de embalaje o recíclelos.
6. Revise para cerciorarse de que los grifos de agua estén abiertos.
7. Revise si hay pérdidas de agua alrededor de los grifos y las mangueras de entrada.

⚠ ADVERTENCIA



Peligro de Choque Eléctrico

Conecte a un contacto de pared de conexión a tierra de 3 terminales.

No quite la terminal de conexión a tierra.

No use un adaptador.

No use un cable eléctrico de extensión.

No seguir estas instrucciones puede ocasionar la muerte, incendio o choque eléctrico.

8. Conecte a un contacto de pared de conexión a tierra de 3 terminales.
9. Quite la película protectora que está en la consola y cualquier cinta adhesiva restante que esté en la lavadora.
10. Lea "Uso de la lavadora" en las Instrucciones para el usuario de la lavadora.
11. Para probar y limpiar su lavadora, mida la mitad de la cantidad recomendada del detergente en polvo o líquido y viértalo en la canasta de la lavadora o el depósito de detergente (en algunos modelos). Cierre la tapa. Seleccione cualquier ciclo, y luego jale la perilla de control de ciclos hacia afuera para poner en marcha la lavadora. Deje que termine un ciclo completo.

INSTRUCTIONS POUR L'INSTALLATION DE LA LAVEUSE

SÉCURITÉ DE LA LAVEUSE

Votre sécurité et celle des autres est très importante.

Nous donnons de nombreux messages de sécurité importants dans ce manuel et sur votre appareil ménager. Assurez-vous de toujours lire tous les messages de sécurité et de vous y conformer.



Voici le symbole d'alerte de sécurité.

Ce symbole d'alerte de sécurité vous signale les dangers potentiels de décès et de blessures graves à vous et à d'autres.

Tous les messages de sécurité suivront le symbole d'alerte de sécurité et le mot "DANGER" ou "AVERTISSEMENT". Ces mots signifient :

⚠ DANGER

Risque possible de décès ou de blessure grave si vous ne suivez pas immédiatement les instructions.

⚠ AVERTISSEMENT

Risque possible de décès ou de blessure grave si vous ne suivez pas les instructions.

Tous les messages de sécurité vous diront quel est le danger potentiel et vous disent comment réduire le risque de blessure et ce qui peut se produire en cas de non-respect des instructions.

EXIGENCES D'INSTALLATION

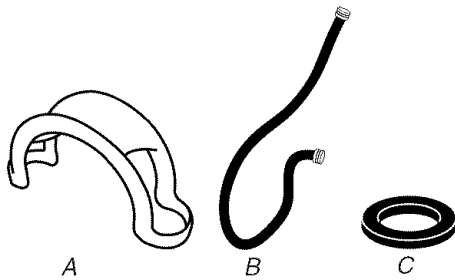
Outillage et pièces

Rassembler les outils et pièces nécessaires avant de commencer l'installation. Les pièces fournies se trouvent dans le panier de la laveuse.

Outillage nécessaire pour le raccordement du tuyau de vidange et des tuyaux d'arrivée d'eau :

- Pince ouverture à 1 $\frac{1}{16}$ " (3,95 cm)
- Lampe de poche (option)

Pièces fournies :



A. Bride de retenue du tuyau de vidange
B. Tuyaux d'arrivée d'eau (2)
C. Joints plats pour les raccords des tuyaux d'arrivée d'eau (4)

Outillage nécessaire pour le raccordement du tuyau de vidange et le réglage de l'aplomb de la laveuse :

- Clé plate ou réglable de $\frac{1}{16}$ " (14 mm)
- Bloc de bois
- Niveau
- Règle ou mètre-ruban

Pièces fournies :



A. Attache de fixation perlée
B. Pieds de nivellement avant avec écrous (2)

Autres pièces

Votre installation peut nécessiter des pièces supplémentaires. Pour commander, veuillez consulter les numéros sans frais d'interurbain sur la première page des Instructions pour l'utilisateur de la laveuse.

Si vous avez :	Vous devrez acheter :
Évier de buanderie ou canalisation d'évacuation rigide plus haut que 96" (2,4 m)	Système de pompage (si pas déjà installé)
Tuyau rigide de 1" (2,5 cm) de diamètre	Adaptateur pour passer d'un tuyau rigide de 1 $\frac{1}{4}$ " (3,2 cm) de diamètre à 1" (2,5 cm) de diamètre, pièce n° 280130
Égout en hauteur	Évier de buanderie standard de 20 gal. (76 L), hauteur 39" (99 cm) ou évier utilitaire, pompe de transfert et raccords (disponibles chez un fournisseur local de plomberie)
Drain de plancher	Brise-vide (pièce n° 280129); tuyau de vidange additionnel, pièce n° 3357090
Robinets d'eau trop éloignés des tuyaux d'alimentation	2 tuyaux d'alimentation plus longs : 6 pi (1,8 m) pièce n° 76314, 10 pi (3 m) pièce n° 350008
Tuyau de vidange trop court	Ensemble de connexion, pièce n° 280131
Canalisation d'évacuation obstruée	Filtre de protection, pièce n° 367031

Exigences d'emplacement

La sélection de l'emplacement approprié pour la laveuse permet de l'optimiser sa performance et de minimiser le bruit et les risques de mouvement de la laveuse.

On peut installer la laveuse dans un sous-sol, une buanderie, un placard, ou un espace d'encastrement. Voir "Système de vidange".

IMPORTANT : Ne pas installer ni remiser la laveuse à un endroit exposé aux intempéries.

C'est à l'utilisateur du produit qu'incombe la responsabilité de l'installation.

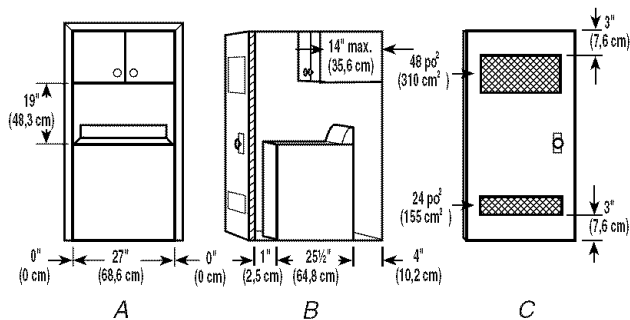
Il vous faudra :

- Chauffe-eau réglé pour fournir à la laveuse de l'eau à 120°F (49°C).
- Prise de courant électrique reliée à la terre, à moins de 4 pi (1,2 m) du point de connexion du cordon d'alimentation à l'arrière de la laveuse. Voir "Spécifications électriques".
- Robinets d'eau chaude et d'eau froide situés à moins de 3 pi (90 cm) des électrovannes de remplissage de la laveuse; une pression d'eau de 5-100 lbs/po² (34,5-690 kPa). Les laveuses dotées de trois distributeurs nécessitent une pression de 20-100 lbs/po² (138-690 kPa) pour le meilleur rendement.
- Plancher horizontal avec une pente maximale de 1" (2,5 cm) en-dessous de l'ensemble de la laveuse. L'installation de la laveuse sur un tapis est déconseillée.
- Plancher robuste capable de soutenir la laveuse avec une charge totale (laveuse, eau et linge) de 315 lb (143 kg).

Ne pas ranger ni faire fonctionner la laveuse à des températures inférieures à 32°F (0°C). Un résidu d'eau dans la laveuse risque de causer des dommages à basse température. Voir "Entretien de la laveuse" pour des renseignements sur l'hivernisation.

Installation dans un encastrement ou un placard

Les dimensions indiquées ci-après sont pour l'espace recommandé autorisé (A et B), sauf les passages d'air d'une porte de placard. Les dimensions indiquées pour les passages d'air d'une porte de placard (C) sont les espacements minimaux requis.



A. Vue avant

B. Vue de profil

C. Porte de placard avec ouvertures d'aération

- Accorder plus d'espace libre pour faciliter l'installation et l'entretien.
- Un espace supplémentaire peut être requis pour les moulures de porte et de plancher et pour les plinthes.
- On recommande un espace libre additionnel de 1" (2,5 cm) de chaque côté de la laveuse pour minimiser le transfert de bruit.
- Si un placard est fermé par une porte, celle-ci doit comporter des ouvertures d'aération en haut et en bas de dimensions minimales (C). Des portes à jalousies avec ouvertures de passage d'air en haut et en bas sont acceptables.
- Il faut aussi prendre en compte l'espace requis entre les appareils voisins.

Système de vidange

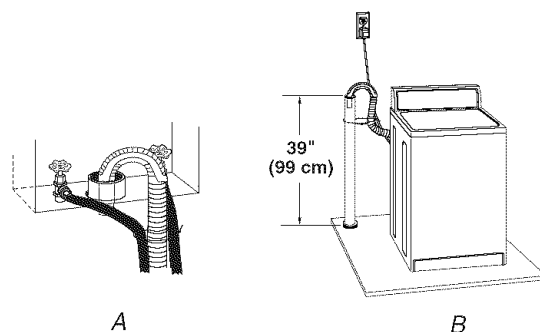
Le tuyau de vidange de la laveuse peut être raccordé à une canalisation d'évacuation (mur ou plancher), ou bien on peut rejeter l'eau de vidange dans un évier de buanderie ou un siphon de plancher. Sélectionner la méthode appropriée d'installation du tuyau de vidange. Voir "Outillage et pièces".

Raccordement à une canalisation d'évacuation—mur ou plancher (illustrations A et B)

Le diamètre de la canalisation d'évacuation doit être d'au moins 2" (5 cm). La capacité d'évacuation de la canalisation ne doit pas être inférieure à 17 gal. (64 L) par minute. Un adaptateur de 1 1/4" (3,2 cm) à 1" (2,5 cm) de diamètre est disponible pour le tuyau de rejet à l'égout. Voir "Outillage et pièces".

La partie supérieure de la canalisation (point de raccordement) doit être située entre 39" (99 cm) (mini) et 96" (244 cm) (maxi) au-dessus du bas de la laveuse.

Pour éviter un effet de siphon, pas plus de 8" (20,3 cm) de tuyau de vidange ne devrait être inséré à l'intérieur de la canalisation d'évacuation. Immobiliser le tuyau de vidange avec l'attache de fixation perlée.



Évier de buanderie (illustration C)

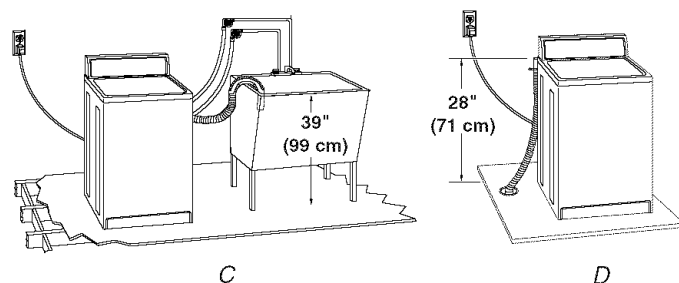
La capacité de l'évier doit être d'au moins 20 gal. (76 L). La partie supérieure de l'évier (point de raccordement) doit être située entre 39" (99 cm) (mini) et 96" (244 cm) (maxi) au-dessus du bas de la laveuse.

Siphon de plancher (illustration D)

Le siphon de plancher doit comporter un brise-vide qui peut être acheté séparément. Voir "Outillage et pièces".

Le brise-vide doit être situé au moins à 28" (71 cm) au-dessus du bas de la laveuse. Des tuyaux additionnels peuvent être nécessaires.

Pour éviter un effet de siphon, ne pas placer plus de 8" (20,3 cm) de tuyau de vidange en dessous de la partie supérieure de la cuve de lavage. Immobiliser le tuyau de vidange avec l'attache de fixation perlée.



Spécifications électriques

⚠ AVERTISSEMENT



Risque de choc électrique

- Brancher sur une prise à 3 alvéoles reliée à la terre.**
- Ne pas enlever la broche de liaison à la terre.**
- Ne pas utiliser un adaptateur.**
- Ne pas utiliser un câble de rallonge.**
- Le non-respect de ces instructions peut causer un décès, un incendie ou un choc électrique.**

- Alimenter la laveuse au moyen d'un circuit individuel de 120 volts, 60 Hz, CA seulement, protégé par un fusible de 15 ou 20 ampères. On recommande l'emploi d'un fusible temporisé ou disjoncteur. Il est recommandé d'utiliser un circuit distinct pour alimenter uniquement cet appareil.
- Cette laveuse est dotée d'un cordon d'alimentation avec fiche de branchement à 3 broches, pour liaison à la terre.
- Pour minimiser le risque de choc électrique, on doit brancher le cordon d'alimentation sur une prise de courant murale de configuration correspondante (3 alvéoles) reliée à la terre conformément aux codes et règlements locaux. Si une prise de configuration correspondante n'est pas disponible, c'est au client qu'incombent la responsabilité et l'obligation personnelles de faire installer par un électricien qualifié une prise adéquatement mise à la terre.
- Si les codes le permettent et si un conducteur distinct de mise à la terre est utilisé, il est recommandé qu'un électricien qualifié détermine que la liaison à la terre est adéquate.
- Ne pas effectuer la liaison à la terre sur une canalisation de gaz.

- En cas de doute quant à la qualité de la liaison à la terre de la laveuse, vérifier auprès d'un électricien qualifié.
- Ne pas utiliser un fusible dans le circuit neutre ou de liaison à la terre.

INSTRUCTIONS DE LIAISON À LA TERRE

Pour une laveuse reliée à la terre et connectée par un cordon :

Cette laveuse doit être reliée à la terre. En cas d'anomalie de fonctionnement ou de panne, la liaison à la terre réduira le risque de choc électrique en offrant au courant électrique un itinéraire d'évacuation de moindre résistance. Cette laveuse est alimentée par un cordon électrique comportant un conducteur relié à la terre et une fiche de branchement munie d'une broche de liaison à la terre. La fiche doit être branchée sur une prise de courant appropriée qui est bien installée et reliée à la terre conformément à tous les codes et règlements locaux.

AVERTISSEMENT : Le raccordement incorrect de cet appareil au conducteur de liaison à la terre peut susciter un risque de choc électrique. En cas de doute quant à la qualité de la liaison à la terre de l'appareil, consulter un électricien ou technicien d'entretien qualifié.

Ne pas modifier la fiche de branchement fournie avec l'appareil – si la fiche ne correspond pas à la configuration de la prise de courant, demander à un électricien qualifié d'installer une prise de courant convenable.

Pour une laveuse raccordée en permanence :

Cette laveuse doit être raccordée à un système de câblage permanent en métal relié à la terre ou un conducteur relié à la terre doit être en fonction avec les conducteurs de circuit et raccordés à la borne de liaison à la terre ou la borne sur l'appareil ménager.

INSTRUCTIONS D'INSTALLATION

Avant de commencer

⚠ AVERTISSEMENT

Risque du poids excessif

- Utiliser deux ou plus de personnes pour déplacer et installer la laveuse.**
- Le non-respect de cette instruction peut causer une blessure au dos ou d'autre blessure.**

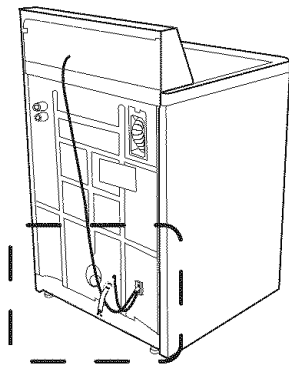
REMARQUE : Placer la laveuse sur du carton pour protéger le plancher, avant de la déplacer.

Retrait du matériel d'expédition

Le retrait du matériel d'expédition est nécessaire au bon fonctionnement de l'appareil. Si on ne retire pas le matériel d'expédition, on constatera un bruit excessif de la laveuse.

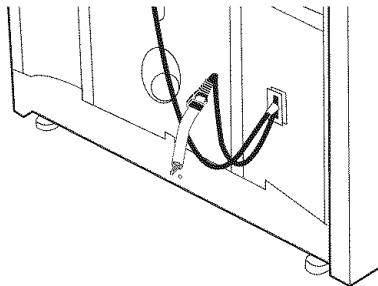
1. Approcher la laveuse jusqu'à environ 3 pi (90 cm) de son emplacement d'installation final.
2. La laveuse doit se trouver en position verticale et ne doit pas être inclinée avant le retrait du matériel d'expédition.
3. Localiser le matériel d'expédition jaune à l'arrière de l'appareil, près de la partie inférieure. Suivre les étapes concernant votre modèle (laveuse avec cordon d'alimentation droit et dispositif d'immobilisation ou version avec cordon d'alimentation en boucle).

Cordon d'alimentation droit

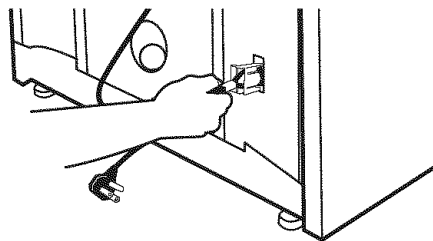


Cordon d'alimentation droit

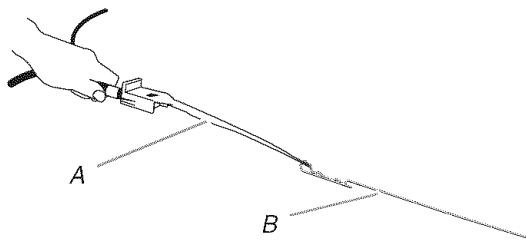
1. Ôter la fiche du cordon d'alimentation et la sangle jaune de la base de l'appareil pour libérer le système de nivellement arrière.



2. Saisir fermement le cordon d'alimentation et tirer pour le sortir complètement avec le dispositif d'immobilisation ainsi que la broche du panneau arrière.

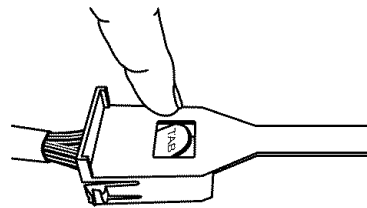


3. Vérifier que le dispositif d'immobilisation (A) et la broche (B) ont été retirés.

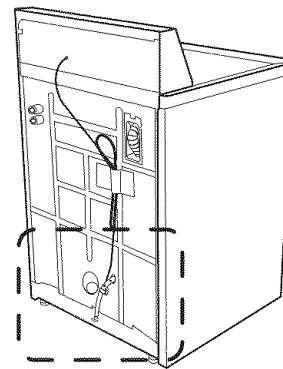


A. Dispositif d'immobilisation du cordon d'alimentation B. Broche

4. Pour retirer le cordon d'alimentation du dispositif d'immobilisation, enfoncer le cordon d'alimentation, appuyer sur TAB (languette), puis tirer sur le cordon d'alimentation pour le sortir.

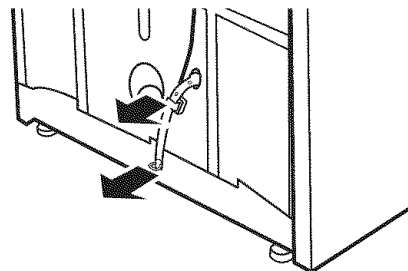


Cordon d'alimentation en boucle

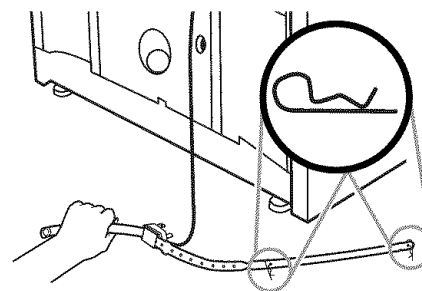


Cordon d'alimentation en boucle

1. Saisir fermement la sangle d'expédition jaune et tirer jusqu'à ce que les deux extrémités soient complètement dégagées de la laveuse.



2. Vérifier que deux (2) goupilles ont été retirées avec la sangle d'expédition.



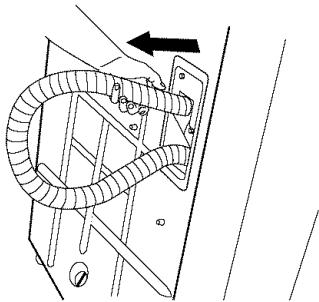
Raccordement du tuyau de vidange

Veiller à raccorder correctement le tuyau de vidange pour qu'aucune fuite d'eau ne puisse détériorer le plancher. Lire les instructions ci-dessous et les suivre à la lettre.

Le tuyau de vidange est connecté à la laveuse et est remis à l'intérieur de la caisse de la laveuse.

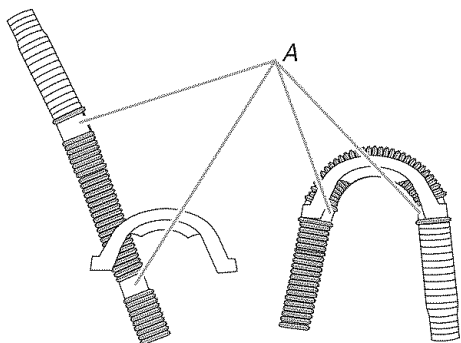
Retirer le tuyau de vidange de la caisse de la laveuse

Tirer doucement sur le haut du tuyau pour extraire le tuyau de vidange ondulé de la laveuse. Continuer de tirer sur le tuyau jusqu'à ce que l'extrémité apparaisse. Ne pas réinsérer de force l'excédent de tuyau de vidange dans l'arrière de la laveuse.



Vidange dans l'évier de buanderie ou dans la conduite de décharge à l'égout

Connexion de la bride de retenue sur le tuyau de vidange ondulé



A. Dégagement du tuyau de vidange

1. Faire passer l'extrémité du tuyau de vidange dans l'une des extrémités de la bride de retenue. Placer l'extrémité de la bride de retenue dans le redressement du tuyau de vidange.
2. Plier le tuyau sur la partie supérieure de la bride de retenue et le faire passer dans l'autre extrémité de la bride de retenue.

Pour empêcher l'eau de vidange de refluer dans la laveuse :

- Ne pas forcer l'excédent de tuyau dans le tuyau de rejet à l'égout. Le tuyau de vidange devrait être bien immobilisé, tout en permettant le passage de l'air.
- Ne pas mettre l'excédent du tuyau au fond de l'évier de buanderie.

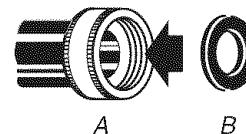
Drain de plancher

Ne pas installer la bride de retenue sur la section ondulée du tuyau de vidange. Des pièces additionnelles peuvent être nécessaires. Voir Drain de plancher à la section "Outillage et pièces".

Raccordement des tuyaux d'arrivée d'eau

La laveuse doit être connectée aux robinets d'eau à l'aide des nouveaux tuyaux d'arrivée d'eau. Ne pas utiliser de tuyaux usagés.

Installer un joint plat neuf (fourni) dans chaque extrémité du tuyau d'arrivée d'eau. Enfoncer fermement chaque joint dans le raccord.

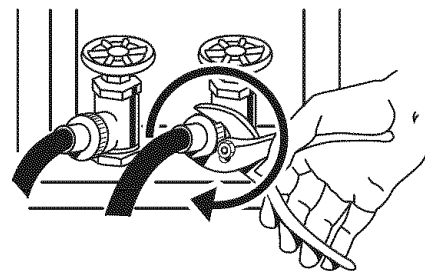


A. Raccord
B. Joint

Raccordement des tuyaux d'arrivée d'eau aux robinets

Vérifier que le panier de la laveuse est vide.

1. Connecter le tuyau comportant la mention "chaud" au robinet d'eau chaude. Visser complètement le raccord à la main pour qu'il comprime le joint.
2. Connecter le tuyau comportant la mention "froid" au robinet d'eau froide. Visser complètement le raccord à la main pour qu'il comprime le joint.
3. Terminer le serrage des raccords—deux tiers de tour—avec une pince.

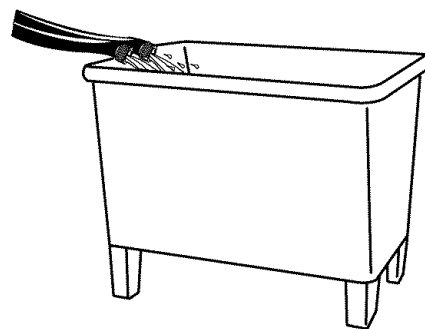


Terminer le serrage des raccords—deux tiers de tour.

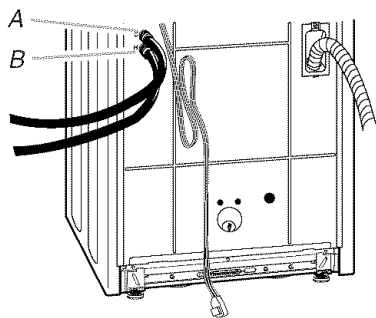
REMARQUE : Ne pas serrer excessivement ni utiliser du ruban adhésif ou un matériau d'étanchéité sur la valve. Des dommages pourraient en résulter.

Purger les canalisations d'eau

- Faire couler de l'eau par les deux robinets et les tuyaux d'arrivée d'eau, dans un évier de buanderie, dans un tuyau de rejet à l'égout ou dans un seau pour éjecter toutes les particules solides présentes dans la canalisation qui pourraient obstruer les tamis à l'entrée de la laveuse.
- Vérifier la température de l'eau pour s'assurer que le tuyau d'eau chaude est connecté au robinet d'eau chaude et que le tuyau d'eau froide est connecté au robinet d'eau froide.

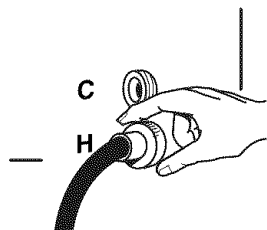


Raccorder les tuyaux d'arrivée d'eau à la laveuse



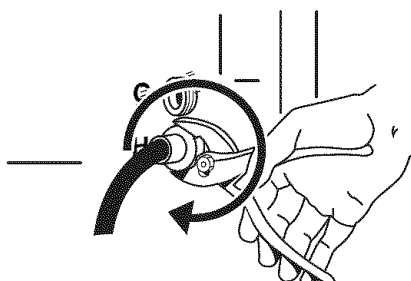
A. Électrovanne d'alimentation—eau froide
B. Électrovanne d'alimentation—eau chaude

1. Connecter le tuyau d'eau chaude à l'entrée en bas de l'électrovanne.
2. La connexion du tuyau d'eau chaude en premier facilite le serrage du raccord avec la pince.
3. Visser complètement le raccord à la main pour qu'il comprime le joint.



4. Terminer le serrage des raccords—deux tiers de tour—avec une pince.

REMARQUE : Ne pas serrer excessivement ni utiliser du ruban adhésif ou un matériau d'étanchéité sur la valve. Des dommages pourraient en résulter.



5. Connecter le tuyau d'eau froide à l'entrée en haut de l'électrovanne.
6. Visser complètement le raccord à la main pour qu'il comprime le joint.
7. Terminer le serrage des raccords—deux tiers de tour—avec une pince.

REMARQUE : Ne pas serrer excessivement ni utiliser du ruban adhésif ou un matériau d'étanchéité sur la valve. Des dommages pourraient en résulter.

Inspection—recherche des fuites

Ouvrir les robinets d'eau; inspecter pour rechercher les fuites. Une petite quantité d'eau peut pénétrer dans la laveuse. Il suffira de la vidanger plus tard.

REMARQUE : Remplacer les tuyaux d'arrivée d'eau après 5 ans d'utilisation pour réduire le risque de défaillance intempestive. Prendre note de la date d'installation ou de remplacement des tuyaux d'arrivée d'eau, pour référence ultérieure.

- Si on ne raccorde qu'une canalisation d'eau, il faut mettre un bouchon sur l'autre entrée d'arrivée d'eau.
- Inspecter périodiquement les tuyaux; les remplacer en cas de gonflement, d'écrasement, de coupure, d'usure ou si une fuite se manifeste.

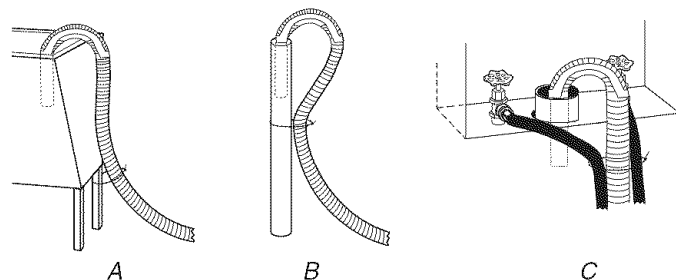
Immobilisation du tuyau de vidange

1. Ôter la sangle d'expédition du cordon d'alimentation. Faire passer le cordon d'alimentation par-dessus la console.
2. Enlever tout carton utilisé pour le déplacement de la laveuse.



Attache de fixation perlée

3. Attacher le tuyau de vidange au pied de l'évier de buanderie, au tuyau rigide de rejet à l'égout ou aux tuyaux d'arrivée d'eau, avec l'attache de fixation perlée. Pousser l'élément de fixation dans le trou le plus proche de l'attache de fixation. Voir l'illustration A ou B.



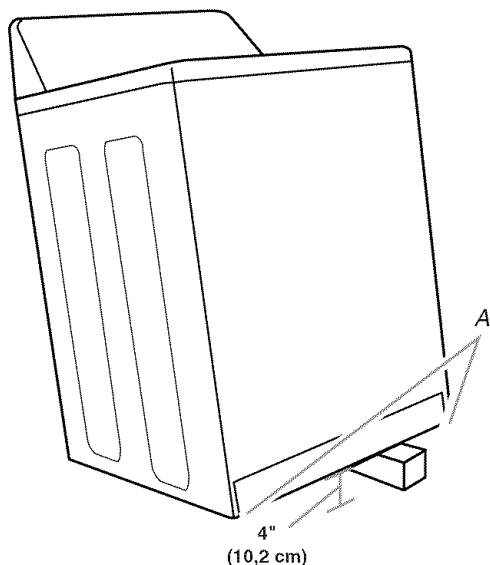
Si les robinets d'eau et le tuyau rigide de rejet à l'égout sont placés en retrait, introduire l'extrémité de la bride de retenue du tuyau de vidange dans le tuyau rigide de rejet à l'égout. Attacher fermement les tuyaux d'arrivée d'eau et le tuyau de vidange ensemble, avec l'attache de fixation. Voir l'illustration C.

Réglage de l'aplomb de la laveuse

Un bon aplomb de la laveuse minimisera le bruit et les vibrations.

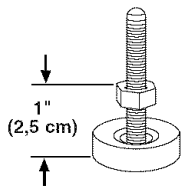
Installation des pieds de nivellement avant

1. Soulever l'avant de la laveuse d'environ 4" (10,2 cm) avec un bloc de bois ou un objet semblable. Le bloc doit pouvoir supporter le poids de la laveuse.



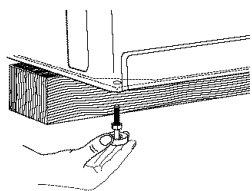
A. Trous taraudés pour les pieds

2. Visser l'écrou sur chaque pied de nivellement jusqu'à 1" (2,5 cm) de la base.



3. Visser les pieds dans les trous taraudés aux coins avant de la laveuse jusqu'à ce que les écrous touchent la laveuse. Faire pivoter le pied pour l'installer.

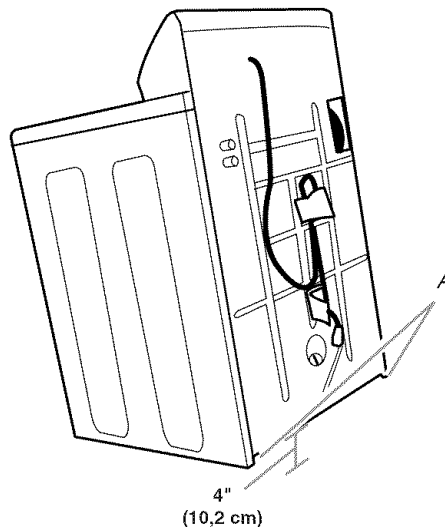
REMARQUE : Ne pas serrer les écrous tant que la laveuse n'est pas d'aplomb.



4. Incliner la laveuse vers l'arrière et enlever le bloc de bois. Abaisser doucement la laveuse jusqu'au plancher.

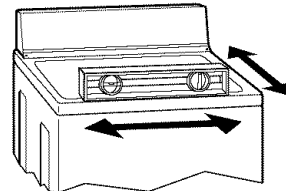
Étapes dans l'emplacement final

1. Faire glisser la laveuse à son emplacement final.
2. Incliner la laveuse vers l'avant pour soulever l'arrière à au moins 4" (10,2 cm) du plancher. On peut percevoir le son émis lors de l'auto-réglage des pieds arrière. Abaisser la laveuse jusqu'au plancher.



A. Pieds autoréglables

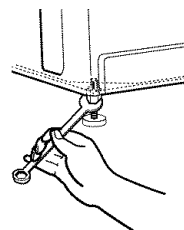
3. Vérifier l'aplomb de la laveuse en plaçant un niveau sur les bords supérieurs de la laveuse transversalement, puis dans le sens avant arrière.



4. Si la laveuse n'est pas d'aplomb, la déplacer légèrement, l'incliner vers l'arrière et soulever l'avant avec un bloc de bois et ajuster le déploiement des pieds selon le besoin en faisant pivoter le pied. Tourner le pied dans le sens horaire pour lever la laveuse ou dans le sens antihoraire pour baisser la laveuse. Répéter les étapes 1 à 4 jusqu'à ce que la laveuse soit d'aplomb.

5. Après avoir placé la laveuse d'aplomb à son emplacement final, utiliser une clé plate de $\frac{9}{16}$ " (14 mm) pour visser les écrous sur les pieds dans le sens antihoraire, fermement contre la caisse de la laveuse.

IMPORTANT : Si les écrous ne sont pas bloqués contre la caisse de la laveuse, la laveuse peut vibrer.



Achever l'installation

1. Consulter les spécifications électriques. Vérifier que la tension électrique disponible est correcte et que la prise de courant est convenablement reliée à la terre. Voir "Spécifications électriques".
2. Vérifier que toutes les pièces sont maintenant installées. S'il reste des pièces, étudier attentivement la description de chaque étape pour identifier quelle étape a été omise.
3. Vérifier que tous les outils utilisés sont présents.
4. Vérifier que la sangle d'expédition jaune a été enlevée complètement de l'arrière de la laveuse.
5. Jeter ou recycler tous les matériaux d'emballage.
6. Vérifier que chaque robinet d'arrivée d'eau est ouvert.
7. Inspecter pour rechercher les fuites - autour des robinets et des tuyaux d'arrivée d'eau.

⚠ AVERTISSEMENT



Risque de choc électrique

- Brancher sur une prise à 3 alvéoles reliée à la terre.**
- Ne pas enlever la broche de liaison à la terre.**
- Ne pas utiliser un adaptateur.**
- Ne pas utiliser un câble de rallonge.**
- Le non-respect de ces instructions peut causer un décès, un incendie ou un choc électrique.**

8. Brancher sur une prise à 3 alvéoles reliée à la terre.
9. Enlever la pellicule de protection sur la console, et les rubans adhésifs qui peuvent rester collés sur la laveuse.
10. Lire la section "Utilisation de la laveuse" dans les Instructions pour l'utilisateur de la laveuse.
11. Pour tester et nettoyer la laveuse, mesurer la moitié de la quantité normale recommandée de détergent en poudre ou liquide et la verser dans le panier de la laveuse ou dans le distributeur de détergent (sur certains modèles). Fermer le couvercle. Sélectionner n'importe quel programme, puis tirer le bouton de commande de programme pour mettre la laveuse en marche. Laisser la machine exécuter un programme complet.