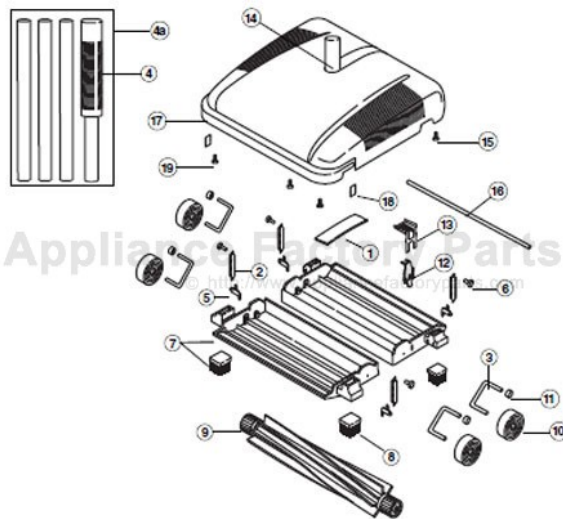


This Owner's Manual is provided and hosted by [Appliance Factory Parts](#).



# Oreck PR3200 Owner's Manual

[Shop genuine replacement parts for Oreck PR3200](#)



[Find Your Oreck Vacuum Cleaner Parts - Select From 248 Models](#)

----- Manual continues below -----

## Part Numbers Listing: PR3000, PR3000PI, S5327, 5327, PR3200

#	Item	Order #			
1	Handle Spring, Black	O-8011401			
2	Shutter Spring	O-8010601			
3	Swing Arm Axle	O-8011201			
4	Grip, Handle, Black	O-80116010327			
4a	Handle Set (4 Sections w/Grip)	O-098014601			
5	Hook for Shutter Spring	O-8012401			
6	Rivet for Shutter Spring	O-030049001M			
7	Dust Pan w/corner brushes	O-098013401			
8	Corner Brush	O-8011301			
9	Rotorblade	O-30002			
10	Wheel	O-8014801			
11	Axle Cap	O-8012001			
12	Rotorblade Holder	O-8010901			
13	Spring Bracket	O-8012202			
14	Joint (Handle Connector Stud)	O-8012501			
15	Screws, #7 x 3/8" w/ #6 Head	O-030047501M			
16	Stabilizer Bar	O-8010401			
17	Bumper	O-80115010327			
18	Bumper Band Stopper	O-8012301			
19	Screws, #6 X 7/16" (100 Pack)	O-030049201M			

## Parts Diagram

