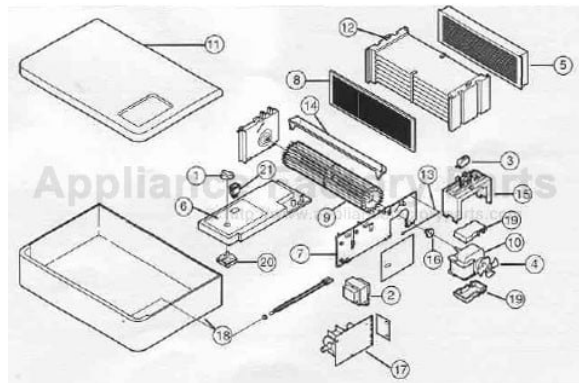


This Owner's Manual is provided and hosted by [Appliance Factory Parts](#).



Oreck AIR 5 Owner's Manual

[Shop genuine replacement parts for Oreck AIR 5](#)



[Find Your Oreck Air Cleaner Parts - Select From 3 Models](#)

----- Manual continues below part list -----

Available Replacement Parts for Oreck AIR 5

| | |
|----------------------------|-----------------------|
| 342480-003 | PREFILTER |
| 242235-001 | SELECT SW KNOB, BLACK |

Parts List

| QTY | ITEM # | PART NO. | DESCRIPTION |
|-----|--------|------------|-----------------------------|
| 1 | 1 | 242235-001 | SWITCH KNOB, BLACK |
| 1 | 2 | 242331-007 | TRANSFORMER |
| 1 | 3 | 242404-001 | INTERLOCK SWITCH |
| 1 | 4 | 247135-001 | FAN BLADE |
| 2 | 5 | AT2PK | CHARCOAL COMBINATION FILTER |
| 1 | 6 | 247667-001 | CONTROL LABEL |
| 1 | 7 | 342472-002 | CONTACT WALL ASSEMBLY |
| 1 | 8 | 342480-003 | PLASTIC MESH PREFILTER |
| 1 | 9 | 254682-001 | BLOWER WHEEL KIT |
| 1 | 10 | 254681-001 | MOTOR KIT |
| 1 | 11 | 442224-001 | CABINET TOP, BLACK |
| 1 | 12 | 442415-101 | COLLECTOR CELL |
| 1 | 13 | 142475-001 | ION NEEDLE ASSEMBLY |
| 1 | 14 | 342228-001 | STRIPPER |
| 1 | 15 | 342227-001 | MOTOR MOUNTING BRACKET |
| 1 | 16 | 136483-001 | DRIVE GROMMET |
| 1 | 17 | 342402-251 | HV POWER SUPPLY BOARD |
| 1 | 18 | 442223-201 | CABINET BOTTOM |
| 2 | 19 | 242253-001 | MOTOR ISOLATOR PAD |
| 1 | 20 | 142581-001 | SWITCH ASSEMBLY |
| 1 | 21 | 145820-002 | SWITCH ROCKER |
| 1 | | 446200-002 | CARTON |
| 1 | | 442414-001 | CARTON INSERT |
| 1 | | 242809-015 | TABLE TOP AIR MANUAL |
| 2 | | 20CFT | CHARCOAL FILTERS |
| 3 | | 30CFT | CHARCOAL FILTERS |
| 1 | | 33358 | CELL CLEANER |
| 1 | | 242809-15 | OWNER'S MANUAL |

