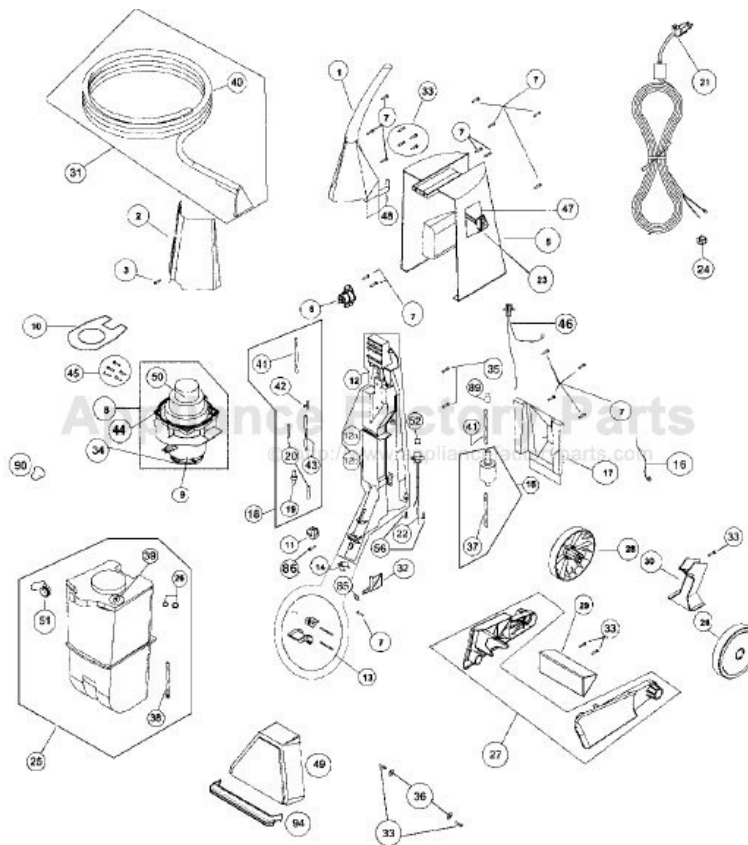


This Owner's Manual is provided and hosted by [Appliance Factory Parts](#).



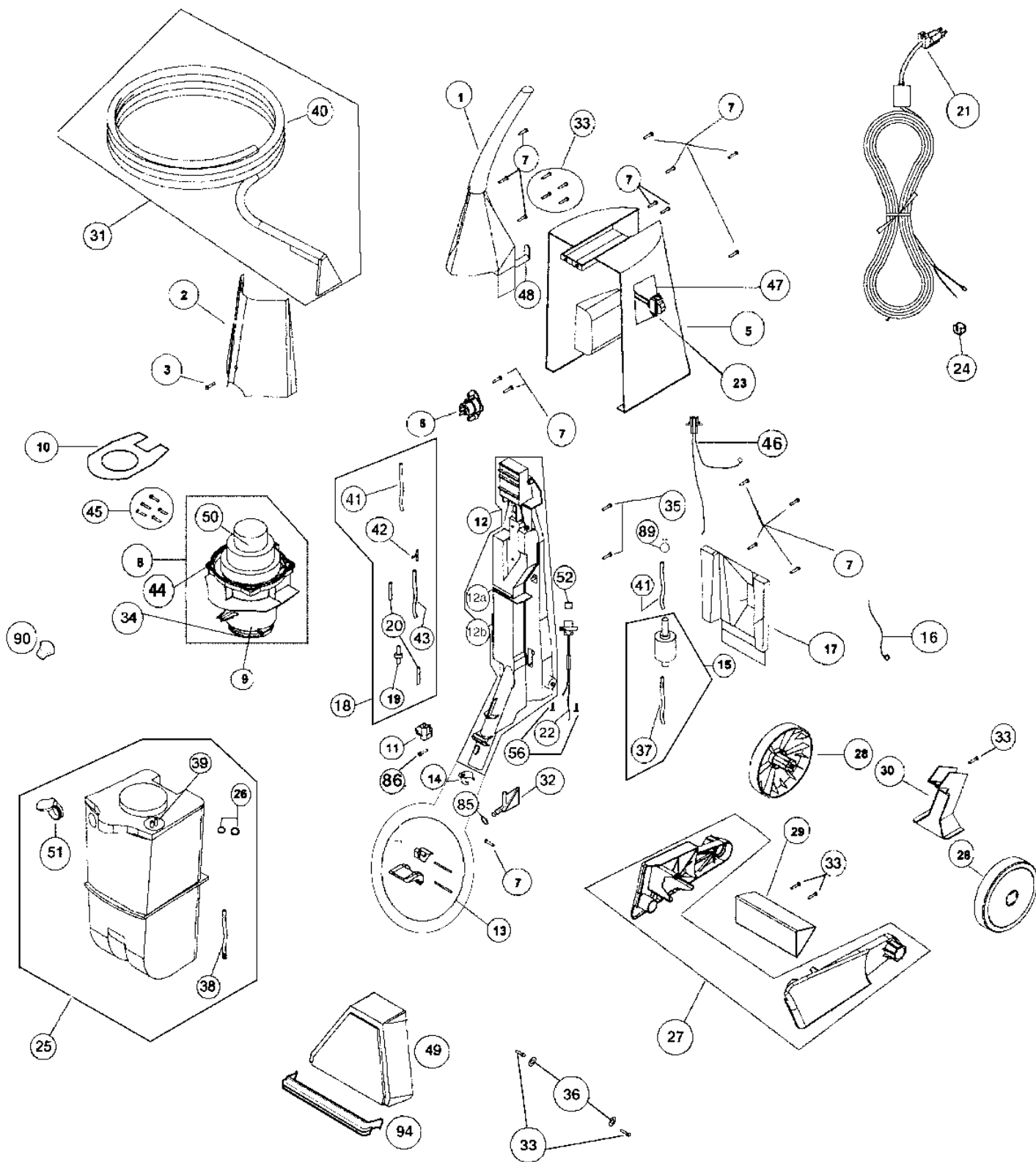
Oreck M900 Owner's Manual

[Shop genuine replacement parts for Oreck M900](#)



[Find Your Oreck Vacuum Cleaner Parts - Select From 248 Models](#)

----- Manual continues below -----



Part Numbers Listing: XLS465, XLS465Q, XLS700, XLS700Q, M800, M800Q, M900Q, M900

| # | Item | Order # | Qty. | Pk. | | | |
|-----|--|---------------|--------|-----|-----|-----|---------------|
| 1 | XLS465: Handle Assembly, Cherry | O-095293104 | 1 | 1 | | | |
| | XLS465Q: Handle Assembly, Navy | O-095293101 | 1 | 1 | | | |
| | XLS700 / XLS700Q: Handle Assembly, Black | O-095293155 | 1 | 1 | | | |
| | M800 / M800Q: Handle Assembly, Creme | O-095293106 | 1 | 1 | | | |
| | M900Q / M900: Handle Assembly, Black | O-095293107 | 1 | 1 | | | |
| 2 | XLS465: Front Housing, Cherry | O-095310001 | 1 | 1 | | | |
| | XLS465Q / XLS700 / XLS700Q: Front Housing, Black | O-095310003 | 1 | 1 | | | |
| | M800 / M800Q: Front Housing, Creme | O-095310004 | 1 | 1 | | | |
| | M900Q / M900: Front Housing, Black | O-095310055 | 1 | 1 | | | |
| 5 | XLS465 / XLS465Q: Rear Housing, Gray | O-52929010384 | 1 | 1 | | | |
| | XLS700 / XLS700Q: Rear Housing, Gray | O-52929020384 | 1 | 1 | | | |
| | M800 / M800Q: Rear Housing, Blue | O-5292903438 | 1 | 1 | | | |
| | M900Q / M900: Rear Housing, Black | O-5292903438 | 1 | 1 | | | |
| 6 | Bottle Docking Assembly | O-095310601 | 1 | 1 | | | |
| 8 | Motor & Separator Assembly | O-095305901 | 1 | 1 | NLA | NLA | NLA |
| 9 | XLS465 / XLS465Q / XLS700 / XLS700Q: Body Separator Assy ONLY M800 / M800Q / M900Q / M900: Body Separator Assembly ONLY | O-095306702 | 1 | 1 | | | |
| | | O-095337701 | 1 | 1 | | | |
| 10 | XLS465 / XLS465Q / XLS700 / XLS700Q: Motor Baffle M800 / M800Q / M900Q / M900: Motor Baffle | O-5295101 | 1 | 1 | | | |
| | | O-5336301 | 1 | 1 | | | |
| 11 | Tank Block, Creme M900Q / M900: Tank Block, Black | O-52432P2453 | 1 | 1 | | | |
| | | O-52432P30327 | 1 | 1 | | | |
| 12 | XLS465 / XLS465Q / XLS700 / XLS700Q: Mainframe Assy, Gray M800 / M800Q: Mainframe Assy, Blue M900Q / M900: Mainframe Assy, Black | O-095305701 | 1 | 1 | | | |
| | | O-095337401 | 1 | 1 | | | |
| | | O-095337452 | 1 | 1 | | | |
| 12a | Gasket, Foam, Mainframe Tank | O-5274701 | 1 | 1 | | | |
| 12b | M800 / M800Q / M900Q / M900: Gasket, Exhaust Foam | O-5340101 | 1 | 1 | | | |
| 13 | XLS465 / XLS465Q / XLS700 / XLS700Q: Lever Latch Assy, Gray M800 / M800Q / M900Q / M900: Lever Latch Assy, Yellow | O-095307501 | 1 | 1 | | | |
| | | O-095307502 | 1 | 1 | | | |
| 14 | XLS465 / XLS465Q / XLS700 / XLS700Q: Button, Lock, Crimson Red M800 / M800Q: Button, Lock, Yellow M900 / M900Q: Button, Lock, Yellow | O-52427P20419 | 1 | 1 | | | |
| | | O-52427P2452 | 1 | 1 | | | |
| | | O-52427P3452 | 1 | 1 | | | |
| 15 | Pump with Nipple / Tube Assembly | O-095255301 | 1 | 1 | | | |
| 16 | Pump Lead Assembly with Terminal | O-5263001 | 1 | 1 | | | |
| 17 | XLS465 / XLS465Q / XLS700 / XLS700Q: Pump Cover, Gray M800 / M800Q: Pump Cover, Blue M900 / M900Q: Pump Cover, Black | O-52417040384 | 1 | 1 | | | |
| | | O-5241704438 | 1 | 1 | | | |
| | | O-52417040327 | 1 | 1 | | | |
| 18 | XLS465 / XLS465Q: Connector "T" Hose Assembly | O-095276801 | 1 | 1 | | | |
| 19 | Check Valve | O-5251001 | 1 | 1 | | | |
| 20 | Check Valve Tube | O-5251101 | 2 / 1* | 1 | | | *qty for M800 |
| 21 | Power Cord Assembly w/ ALCI M900 / M900Q: Power Cord Assembly w/ ALCI | O-5261204 | 1 | 1 | | | |
| | | O-5261205 | 1 | 1 | | | |
| 22 | Power Scrubber Receptacle | O-5261103 | 1 | 1 | | | |
| 23 | XLS465 / XLS465Q / XLS700 / XLS700Q: Switch, Power, Crimson Red M800 / M800Q / M900 / M900Q: Switch, Power, Yellow | O-5261302 | 1 | 1 | | | |
| | | O-5261303 | 1 | 1 | | | |
| 24 | Strain Relief, Square | O-030041401 | 2 | 1 | | | |
| 24a | M800 / M800Q / M900 / M900Q: Plug, Strain Relief, Square | O-78121030327 | 1 | 1 | | | |
| 25 | XLS465 / XLS465Q / XLS700 / XLS700Q: Tank Assembly, Gray M800 / M800Q: Tank Assembly, Creme M900 / M900Q: Tank Assembly, Black | O-095306901 | 1 | 1 | | | |
| | | O-095306902 | 1 | 1 | | | |
| | | O-095306953 | 1 | 1 | | | |
| 26 | Port O-Ring | O-5267701 | 2 | 1 | | | |
| 27 | XLS465 / XLS465Q / XLS700 / XLS700Q: Strut Pkg, Left & Right, Gray M800 / M800Q: Strut Pkg, Left & Right, Creme M900 / M900Q: Strut Pkg, Left & Right, Creme | O-095307401 | 1 | 1 | | | |
| | | O-095307402 | 1 | 1 | | | |
| | | O-095307453 | 1 | 1 | | | |
| 28 | XLS465 / XLS465Q: Wheel, Gray XLS700 / XLS700Q: Wheel, Black M800 / M800Q: Wheel, Blue M900 / M900Q: Wheel, Black | O-52421P10384 | 2 | 1 | | | |
| | | O-52421P10327 | 2 | 1 | | | |
| | | O-52421P1438 | 2 | 1 | | | |
| | | O-52421P10327 | 2 | 1 | | | |

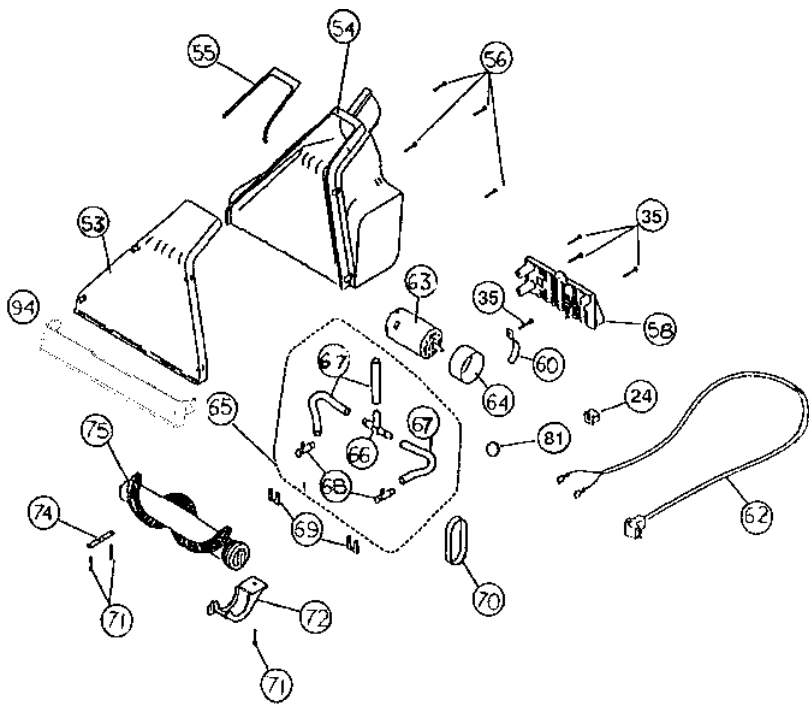
Part Numbers Listing: XLS465, XLS465Q, XLS700, XLS700Q, M800, M800Q, M900Q, M900

| # | Item | Order # | Qty. | Pk. | | | |
|-----|---|---------------|------|-----|-----|-----|-----|
| 29 | XLS465 / XLS465Q / XLS700 / XLS700Q: Tie Bar Strut, Gray | O-52433P10384 | 1 | 1 | | | |
| | M800 / M800Q: Tie Bar Strut, Creme | O-52433P1453 | 1 | 1 | | | |
| | M900 / M900Q: Tie Bar Strut, Black | O-52433P10327 | 1 | 1 | | | |
| 30 | XLS465 / XLS465Q / XLS700 / XLS700Q: Mainframe Stand, Gray | O-52412020384 | 1 | 1 | | | |
| | M800 / M800Q: Mainframe Stand, Blue | O-5241202438 | 1 | 1 | | | |
| | M900 / M900Q: Mainframe Stand, Black | O-52412020327 | 1 | 1 | | | |
| 31 | Upholstery Nozzle Assy w/Hose, Blue | O-095294002 | 1 | 1 | | | |
| | M900 / M900Q: Upholstery Nozzle Assy w/Hose, Black | O-095294053 | 1 | 1 | | | |
| 32 | XLS465 / XLS465Q / XLS700 / XLS700Q: Nipple Quick Connect with O-Ring, Gray | 09-53058-01 | 1 | 1 | | | |
| | M800 / M800Q: Nipple Quick Connect with O-Ring, Blue | O-095305802 | 1 | 1 | | | |
| | M900 / M900Q: Nipple Quick Connect with O-Ring, Black | O-095305853 | 1 | 1 | | | |
| 34 | Separator Seal, Rubber | O-5291301 | 1 | 1 | | | |
| 37 | Tube, Pump to Nipple Quick | O-5246002 | 1 | 1 | | | |
| 38 | Supply Tank Tube with Filter | O-095306801 | 1 | 1 | | | |
| 39 | XLS465 / XLS465Q / XLS700 / XLS700Q: Port, Gray | O-52042P20384 | 1 | 1 | | | |
| | M800 / M800Q: Port, Creme | O-52042P2453 | 1 | 1 | | | |
| | M900 / M900Q: Port, Black | O-52042P20327 | 1 | 1 | | | |
| 40 | Hose, 10 Ft, Blue | O-52360P1438 | 1 | 1 | | | |
| | M900 / M900Q: Hose, 10 Ft, Black | O-5343101 | 1 | 1 | | | |
| 41 | XLS465 / XLS465Q: Tube "T" Connector to Pump | O-5245901 | 1 | 1 | | | |
| 42 | XLS465 / XLS465Q: Connector "T" | O-52436P1 | 1 | 1 | | | |
| 43 | Tube, Bottle Dock to Tank Block & CV to DCV | O-5245701 | 2 | 1 | | | |
| 44 | XLS465 / XLS465Q / XLS700 / XLS700Q: Motor / Separator Gasket | O-053690029 | 1 | 1 | | | |
| | M800 / M800Q / M900 / M900Q: Motor / Separator Gasket Set | O-5335201 | 1 | 1 | | | |
| 46 | Wire Harness, Female | O-5293601 | 1 | 1 | | | |
| 47 | XLS465 / XLS465Q / XLS700 / XLS700Q: Switch Plate, Gray | O-52961010384 | 1 | 1 | | | |
| | M800 / M800Q: Switch Plate, Blue | O-5296101438 | 1 | 1 | | | |
| | M900 / M900Q: Switch Plate, Black | O-52961010327 | 1 | 1 | | | |
| 48 | XLS465 / XLS465Q / XLS700 / XLS700Q: Cord Dump, Gray | O-56948020384 | 1 | 1 | | | |
| | M800 / M800Q: Cord Dump, Blue | O-5694802438 | 1 | 1 | | | |
| | M900 / M900Q: Cord Dump, Black | O-56948020327 | 1 | 1 | | | |
| 49 | XLS465 / XLS465Q / XLS700 / XLS700Q: Floor Nozzle Assembly, 9" | O-095310803 | 1 | 1 | NLA | NLA | NLA |
| | ALL UNITS NOW USE THE M800 12" Nozzle M800 / M800Q: Floor Nozzle Assembly, 12" | O-095336551 | 1 | 1 | | | |
| 50 | XLS465 / XLS465Q / XLS700 / XLS700Q: Main Motor | O-5298102 | 1 | 1 | | | |
| | M800 / M800Q: Main Motor | O-5336201 | 1 | 1 | | | |
| 50a | M800 / M800Q / M900 / M900Q: Motor Cap (Not Shown) | O-53355010327 | 1 | 1 | | | |
| 51 | XLS465 / XLS465Q / XLS700 / XLS700Q: Tank Cap, Gray | O-52927010384 | 1 | 1 | | | |
| | M800 / M800Q / M900 / M900Q: Tank Cap, Yellow | O-5292701452 | 1 | 1 | | | |
| 52 | Gasket, Receptacle | O-5274201 | 1 | 1 | | | |
| 53 | XLS465 / XLS465Q / XLS700 / XLS700Q: Nozzle Cover, 9" | O-52600020329 | 1 | 1 | | | |
| | M800 / M800Q / M900 / M900Q: Nozzle Cover, 12" | O-53358010329 | 1 | 1 | | | |
| 54 | XLS465 / XLS465Q / XLS700 / XLS700Q: Rear Nozzle, 9" | O-095307801 | 1 | 1 | | | |
| | M800 / M800Q: Rear Nozzle, 12", Blue | O-5335601438 | 1 | 1 | | | |
| | M900 / M900Q: Rear Nozzle, 12", Black | O-53356010327 | 1 | 1 | | | |
| 55 | XLS465 / XLS465Q / XLS700 / XLS700Q: Nozzle Gasket | O-5273801 | 1 | 1 | | | |
| | M800 / M800Q / M900 / M900Q: Nozzle Gasket | O-7704303 | 1 | 1 | | | |
| 58 | XLS465 / XLS465Q / XLS700 / XLS700Q: Motor Cover | O-52602010384 | 1 | 1 | | | |
| 59 | M800 / M800Q: Brushroll Tray, Blue | O-5335701438 | 1 | 1 | | | |
| | M900 / M900Q: Brushroll Tray, Black | O-53357010327 | 1 | 1 | | | |
| 60 | Motor Clamp | O-2662601 | 1 | 1 | | | |
| 62 | Cord, Power Scrubber Plug | O-5261002 | 1 | 1 | | | |
| 63 | Power Scrubber Motor | O-5260901 | 1 | 1 | | | |
| 64 | Motor Insulation, Round | O-5274101 | 1 | 1 | | | |

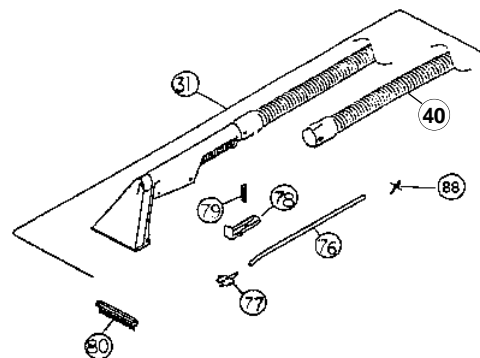
Part Numbers Listing: XLS465, XLS465Q, XLS700, XLS700Q, M800, M800Q, M900Q, M900

| # | Item | Order # | Qty. | Pk. | | | |
|----|--|---------------|------|-----|--|--|--|
| 65 | XLS465 / XLS465Q / XLS700 / XLS700Q: Connector "T" & Tubing Assembly M800 / M800Q / M900 / M900Q: Connector "T" & Tubing Assembly | O-095277001 | 1 | 1 | | | |
| | | O-095337201 | 1 | 1 | | | |
| 66 | Connector "T" Power Scrubber | O-5271401 | 1 | 1 | | | |
| 67 | XLS465 / XLS465Q / XLS700 / XLS700Q: Tube, Spray Tip M800 / M800Q / M900 / M900Q: Tube, Spray Tip | O-5260601 | 3 | 1 | | | |
| | | O-5260602 | 3 | 1 | | | |
| 68 | Power Scrubber Spray Tip | O-52605010327 | 2 | 1 | | | |
| 69 | XLS465 / XLS465Q / XLS700 / XLS700Q: Spray Tip Clip | O-5261401 | 2 | 1 | | | |
| 70 | XLS465 / XLS465Q / XLS700 / XLS700Q: Belt, Motor M800 / M800Q / M900 / M900Q: Belt, Motor | O-2661002 | 1 | 1 | | | |
| | | O-5336401 | 1 | 1 | | | |
| 72 | Belt Cover, Blue M900 / M900Q: Belt Cover, Black | O-5260101438 | 1 | 1 | | | |
| | | O-52601010327 | 1 | 1 | | | |
| 74 | Dowel Clamp | O-5260301 | 1 | 1 | | | |
| 75 | XLS465 / XLS465Q / XLS700 / XLS700Q: Dowel Brush, 9" M800 / M800Q: Dowel Brush, 12" M900 / M900Q: Brushroll, Antimicrobial | O-5260802 | 1 | 1 | | | |
| | | O-5336101 | 1 | 1 | | | |
| | | O-5342701 | 1 | 1 | | | |
| 76 | Pinch Tube, Upholstery Nozzle | O-5254301 | 1 | 1 | | | |
| 77 | Spray Tip, Upholstery, Black | O-52716020327 | 1 | 1 | | | |
| 78 | XLS465 / XLS465Q / XLS700 / XLS700Q: Trigger, Upholstery, Red M800 / M800Q / M900 / M900Q: Trigger, Upholstery, Yellow | O-52424P20419 | 1 | 1 | | | |
| | | O-52424P2452 | 1 | 1 | | | |
| 79 | Spring, Upholstery Trigger | O-5254201 | 1 | 1 | | | |
| 80 | Upholstery Brush | O-52384P10327 | 1 | 1 | | | |
| 81 | Hose Clamp | O-030042401 | 1 | 1 | | | |
| 85 | O-Ring, Nipple Quick | O-5267901 | 1 | 1 | | | |
| 89 | Wire Tie, Purse Lock | O-030043601 | 1 | 1 | | | |
| 90 | Detergent Control Knob | O-5331201452 | 1 | 1 | | | |
| 91 | XLS700 / XLS700Q / M800 / M800Q / M900 / M900Q: Tube, DC Valve to Pump | O-5332701 | 1 | 1 | | | |
| 92 | XLS700 / XLS700Q / M800 / M800Q / M900 / M900Q: Tube, Bottle Dock to DCV | O-5332801 | 1 | 1 | | | |
| 93 | XLS700 / XLS700Q / M800 / M800Q / M900 / M900Q: Detergent Control Valve (DCV) | O-5331301 | 1 | 1 | | | |
| 94 | XLS700 / XLS700Q: Squeegee, Gray M800 / M800Q: Squeegee, Blue M900 / M900Q: Squeegee, Black | O-53311010384 | 1 | 1 | | | |
| | | O-5336001438 | 1 | 1 | | | |
| | | O-53360010327 | 1 | 1 | | | |
| 95 | M800 / M800Q: Label, Badge, Silver on Black M900 / M900Q: Label, Badge, Black on Silver | 73020-02 | 1 | 1 | | | |
| | | 73020-04 | 1 | 1 | | | |
| 96 | Gasket, Pump XLS465 / XLS465Q: Manual, Owner's XLS700 / XLS700Q: Manual, Owner's M800 / M800Q: Manual, Owner's M900 / M900Q: Manual, Owner's | O-5302101 | 1 | 1 | | | |
| | | 53094-03 | 1 | 1 | | | |
| | | 53320-01 | 1 | 1 | | | |
| | | 53409-01 | 1 | 1 | | | |
| | | 53426-01 | 1 | 1 | | | |

XLS465 / XLS465Q / XLS700 / XLS700Q 9" Power Nozzle



**Upholstery Nozzle
Assembly w/ Hose:**



M800 / M800Q / M900Q / M900 12" Power Nozzle

