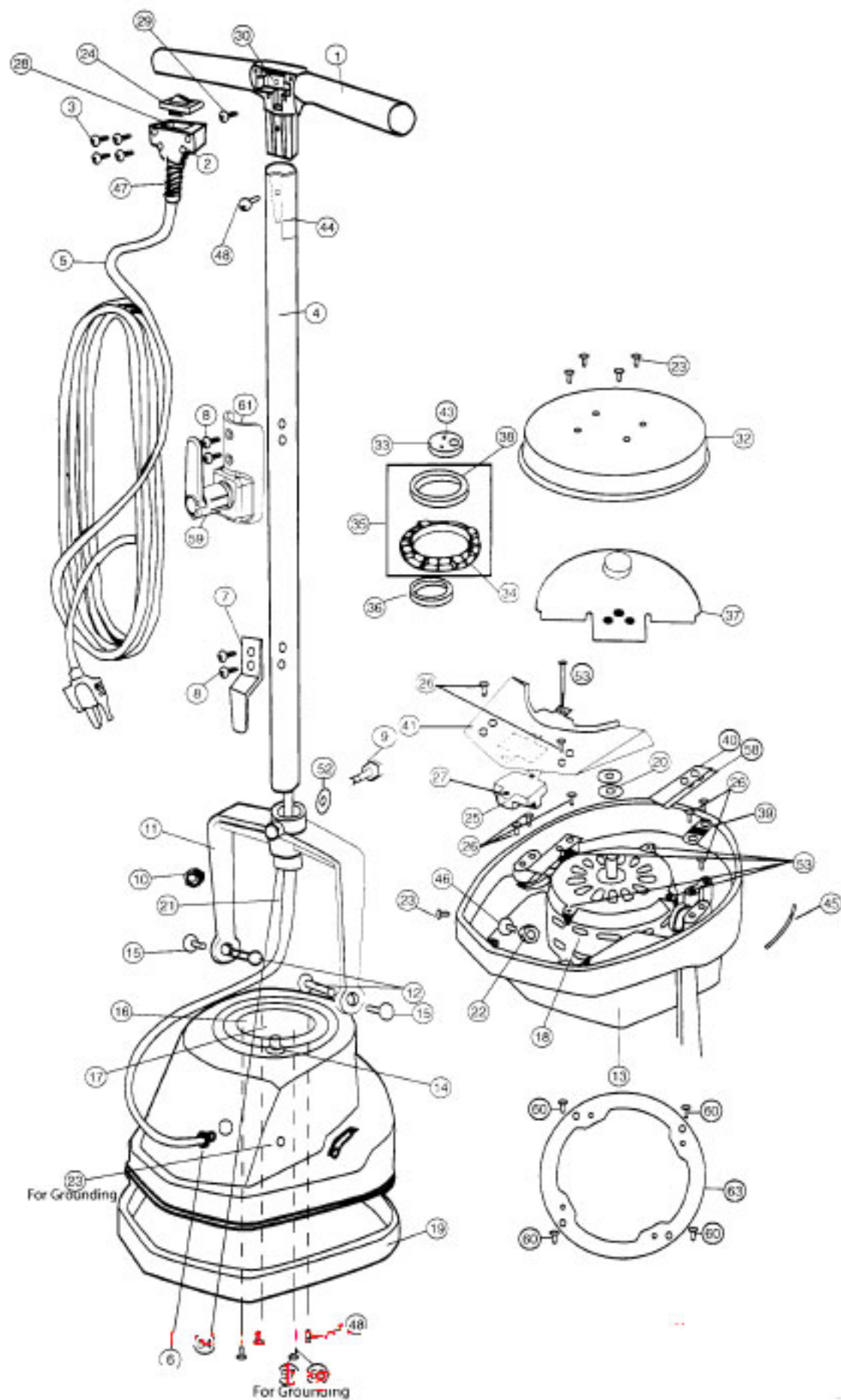




# ORB600 Series & ORB700 Series



**Part Numbers Listing: ORB600MW, ORB600B, ORB600BONUS, ORB700MB, ORB700BONUS**

#	Item	Order #	Qty.	Pk.			
	T-HANDLE, CLEAR BLUE (ORB600 SERIES)	53140-02-455	1	1			
	T-HANDLE, BLACK (ORB700 SERIES)	53140-02-0327	1	1			
2	COVER, SWITCH, WHITE (ORB600 SERIES)	53258-02-453	1	1			
	COVER, SWITCH, BLACK (ORB700 SERIES)	53258-02-0327	1	1			
4	TUBE, CHROME	53141-03	1	1			
5	POWER CORD, BLACK 30'	53336-01-327	1	1			
6	STRAIN RELIEF	03-00520-01	1	1			
7	CORD HOOKS, CHROME	53147-02	1	1			
11	YOKE, WHITE (ORB600 SERIES)	53148-02	1	1			
	YOKE, BLACK (ORB700 SERIES)	53148-03	1	1			
12	HANDLE PIN	03-00529-01	2	1			
13	MAIN BODY HOUSING, WHITE (ORB600 SERIES)	53149-04*	1	1			
	MAIN BODY HOUSING, BLACK (ORB700 SERIES)	53416-02	1	1			
14	RESET BUTTON, RED (ORB700 SERIES)	53150-01-451	1	1			
15	DELRIIN BUSHING	53237-01	2	1			
16	GRILL (MOTOR COVER), CHROME	53151-05	1	1			
17	LABEL, ROUND, ORECK, BLUE/WHITE (ORB600 SERIES)	53341-02	1	1			
	LABEL, ROUND, ORECK, ALUMINUM / BLACK (ORB700 SERIES)	53341-03	1	1			
18	MOTOR KIT (ORB600 SERIES)	09-53340-01	1	1			
	MOTOR KIT (ORB700 SERIES)	09-53152-01	1	1			
19	BUMPER, CLEAR BLUE (ORB600 SERIES)	53154-01-455	1	1			
	BUMPER, SMOKE (ORB700 SERIES)	53154-01-460	1	1			
	PIGTAIL	53169-01	1	1			
24	SWITCH ROCKER	53156-01	1	1			
25	RELAY	53157-01	1	1			
32	BOTTOM PAN	53159-01-0000	1	1			
33	PLUG BEARING	53160-01	1	1			
34	BEARING RETAINER	53162-01	1	1			
35	RETAINER BEARING & BALL BEARING ASSEMBLY	09-53266-51	1	1			
36	SPACER	53163-01	1	1			
37	FLYWHEEL W/ COUNTERWEIGHT	09-53335-02	1	1			
38	BEARING	53161-01	1	1			
39	PILLOW BLOCK (YOKE PIN HOLDER)	53165-01	2	1			
40	SPRING	53166-01	2	1			
41	PLATE COVER	53167-03	1	1			
44	WARNING LABEL	53172-02	1	1			
45	CABLE TIE	03-00404-01	1	1			
47	STRAIN RELIEF	03-00621-01	1	1			
54	STRAIN RELIEF	03-00637-01	1	1			
58	SPRING, NYLON	53337-01	2	1			
59	ASSY, CORD WRAP & POST, GRAY	09-75185-06	1	1			
61	BRACKET, CORD DUMP, GRAY	53412-01-436	1	1			
62	MOTOR PLATE (ORB600 SERIES)	53333-01	1	1			
	LABEL, CURVED, ORBITER, CURBITERING	172-015-01	1	1			
	LABEL, CURVED, ORBITER, ALUMINUM / BLACK (ORB700 SERIES)	53342-03	1	1			
	MANUAL, OWNER'S	53367-01	1	1			

# Troubleshooting

**Notice:** Make sure the unit is unplugged before removing any part off the unit.

- |   |
|---|
| <b>1. Problem Being Checked:</b><br>a. Solution |
|---|

1. **Unit Does Not Come On:**
  - a. Check motor for failure. If bad, replace motor. \*Induction motor failure is unlikely.
  - b. Check cord for failure. If bad, replace cord.
  - c. Check switch for failure. If bad, replace switch.
  - d. Check relay for failure. If bad, replace relay.
2. **Unit Does Not Turn Off:**
  - a. Replace relay.
3. **Pan Does Not Spin:**
  - a. Hold the flywheel in place with fingers. If the pan **does not** spin, replace the ball bearing assembly. If the pan spins, replace the relay.
4. **Unit Makes a Squeaking/Rattling Noise:**
  - a. Place white petroleum jelly on handle pins and on the spring (only on the side towards the top of the unit) or add nylon spring (item #58) under metal spring (item #40).

NOTE: To remove flywheel, place a flat head screwdriver on motor shaft. While holding screwdriver in place, turn the flywheel counterclockwise.

An Oreck Authorized Service Center should do all technical servicing.

**Orbiter Accessories: ORB300, ORB400, ORB480, ORB550, ORB600 & ORB700**

Item	Order #	Qty.	Pk.			
DRIVE PAD HOLDER	53178-51-0327	1	1			
DRIVE PAD BRUSH	237147	1	1	NLA	NLA	NLA
POLISH PAD - WHITE	437051	1	1			
SCRUB PAD - BROWN	437049	1	1			
STRIP PAD - BLACK	437071	1	1			
MARBLE POLISHING PAD - BEIGE	437058	1	1			
SHAMPOO BRUSH - BLACK BRISTLE	237049	1	1			
POLISHING BRUSH - UNION MIX - TAN BRISTLES	237048	1	1			
SCRUB BRUSH - ORANGE BRISTLES	237047	1	1			
GRIT BRUSH - GRAY BRISTLES	237056	1	1			
LAMB WOOL BONNET	437054	1	1			
CARPET SHAMPOO BONNET	437053	1	1			
<b>SAND SCREENS - USED FOR SANDING</b>						
60 GRIT	SS12060	1	1			
80 GRIT	SS12080	1	1			
100 GRIT	SS12100	1	1			
120 GRIT	SS12120	1	1	NLA	NLA	NLA
ORBITER SHAMPOO TANK	237050	1	1			
ORECK DRY SHAMPOO	OC8	1	1	NLA	NLA	NLA
ORECK DRY SHAMPOO KIT	303088	1	1			
SOIL RELEASE PRE-SPRAY, QUART	32777	1	1			
SOIL RELEASE PRE-SPRAY, SDO	33777	1	1			
SOFT CARPET BRUSH	237044	1	1			
<b>QUICK SAND DISKS ARE NO LONGER AVAILABLE</b>						

## Standard Fastener and Hardware Listing: ORB300, ORB400 & ORB480

#	Item	Order #	Pk.	Qty Req'd	
8	SCREW- HANDLE (400/480 SERIES) 10 X 1/2 SM SLT PAN	03-00450-01M	100	4	
9	BOLT - HANDLE 1/4 X 20 X 1 7/8	03-00585-01M	100	1	
	NUT - HANDLE 1/4 X 20 LOCK	03-00526-01M	100	1	
20	WASHER - MOTOR SPACER, FLAT 3/8" ID	03-00532-01M	100	2	
22	NUT, #8, SECURES GROUND WIRE	03-00533-01M	100	1	
23	SCREW, #8 X 32 X 1/2 FILLISTER	03-00534-01M	100	5	
26	SCREW, #10 X 24 X 7/16 W/PATCH	03-00535-01M	100	8	
27	PLASTIC RIVET NYLON	03-00536-01M	100	2	
43	FLAT HEAD CAP SCREW - ALLEN SOCKET 3/4 X 20 X 3/4	03-00537-01M	100	2	
45	SCREW, #6X32X5/16"	03-00531-01M	100	5	
46	NUT WITH EXTERNAL TOOTH WASHER, #8	03-00539-01M	100	1	
52	WASHER, 1/4" FLAT	03-00548-01M	100	1	
53	BOLT, MOTOR	03-00596-01	1	4	
56	WASHER, GROUNDING	03-00447-01M	100	1	
57	SCREW, #6-32 x 3/8", GROUNDING	03-00620-01M	100	1	

## Standard Fastener and Hardware Listing: ORB550 Series, ORB555MC, ORB557MC, ORB600 Series & ORB700 Series

#	Item	Order #	Pk.	Qty Req'd	
3	SCREW- COVER SWITCH, #6 X 3/4 BLACK	03-00528-01M	100	4	
8	SCREW- CORD WRAPS 10 X 1/2 SM SLT PAN	03-00450-01M	100	4	
9	BOLT - HANDLE 1/4 X 20 X 1 7/8	03-00585-01M	100	1	
	NUT - HANDLE, 1/4 X 20 LOCK 1/4 X 20 LOCK	03-00526-01M	100	1	
20	WASHER - MOTOR SPACER, FLAT 3/8" ID	03-00532-01M	100	2	
22	NUTS (SECURE GROUND WIRE), #8	03-00533-01M	100	1	
23	SCREW #8 X 32 X 1/2 FILLISTER	03-00534-01M	100	5/4*	
26	SCREW #10 X 24 X 7/16, PATCH	03-00535-01M	100	12	
27	PLASTIC RIVET NYLON	03-00536-01M	100	2	
28	<b>ORB550 / ORB600 SERIES / ORB700 SERIES: WIRE NUT</b>	03-00633-01M	100	3	
28a	<b>ORB555MC / ORB557MC: WIRE BUTT</b>	03-00432-02M	100	3	
29	GROUND SCREW, #8 X 1/4 X 32	03-00527-01M	100	1	
30	BRASS INSERT	03-00540-01M	100	1	
43	FLAT HEAD CAP SCREW - ALLEN SOCKET 3/4 X 20 X 3/4	03-00537-01M	100	2	
46	NUT WITH EXTERNAL TOOTH WASHER (GROUND WIRE )	03-00539-01M	100	1	
48	SCREW - 6X32X5/16" GRILL	03-00531-01M	100	5/4*	
52	WASHER, 1/4" FLAT	03-00548-01M	100	1	
53	<b>ORB550 SERIES: BOLT, MOTOR, #10 x 24 HEX 4.86" W/EXT WASH</b>	03-00596-01	1	4	
	<b>ORB600 SERIES: BOLT, MOTOR, #8 x 32 HEX 4.58" W/EXT WASH</b>	03-00632-01	1	4	
56	WASHER, GROUNDING	03-00477-01M	100	1	
57	SCREW, #6-32 x 3/8", GROUNDING	03-00620-01M	100	1	
60	SCREW, #10-24 X 7/16 FLAT HEAD	03-00628-01M	100	4	

\*quantity used on ORB600