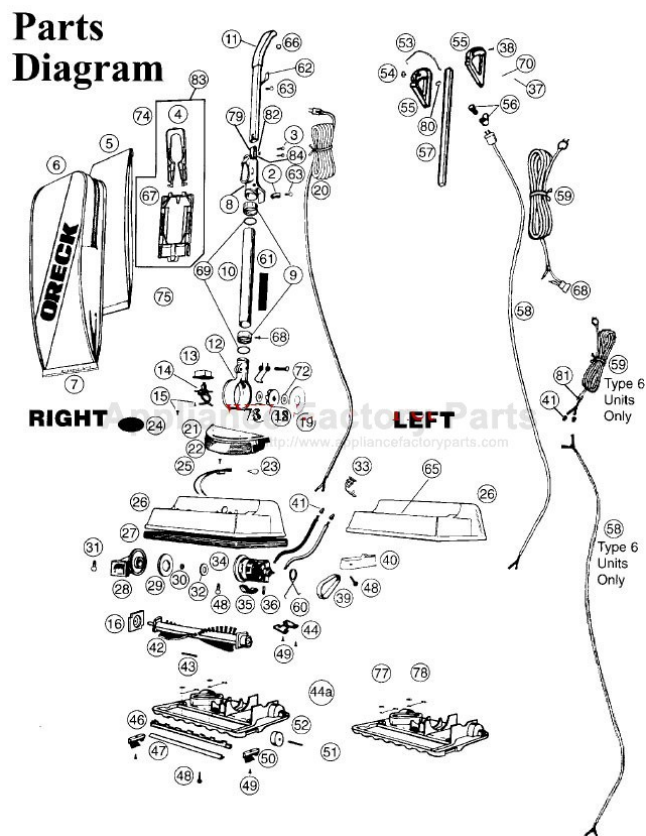


This Owner's Manual is provided and hosted by Appliance Factory Parts.



Oreck U3990H2B Owner's Manual

[Shop genuine replacement parts for Oreck U3990H2B](#)



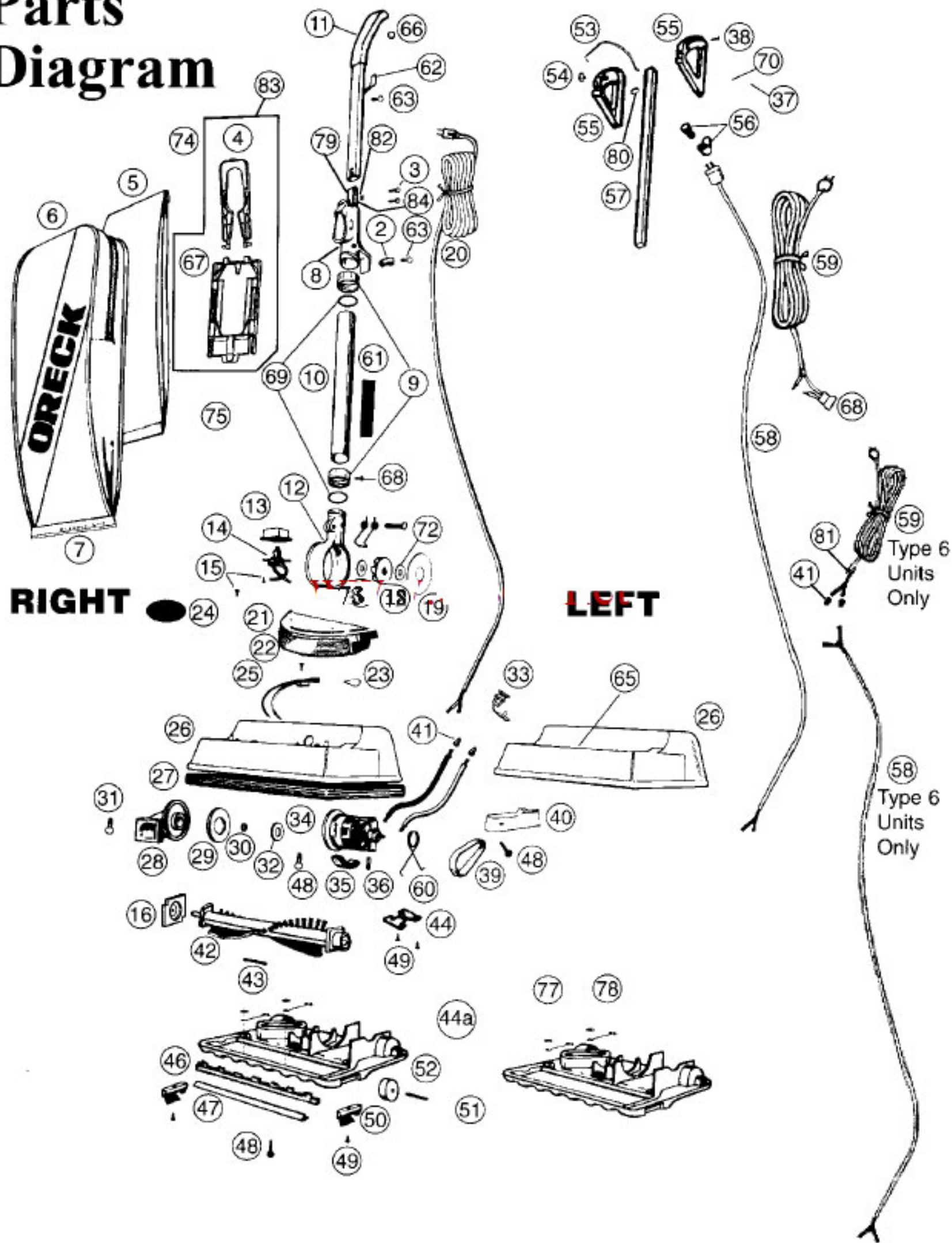
[Find Your Oreck Vacuum Cleaner Parts - Select From 249 Models](#)

----- Manual continues below part list -----

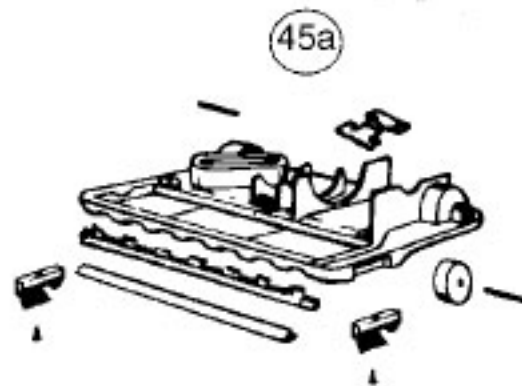
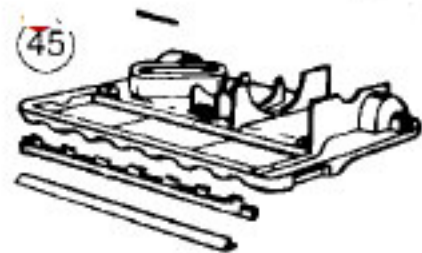
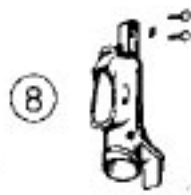
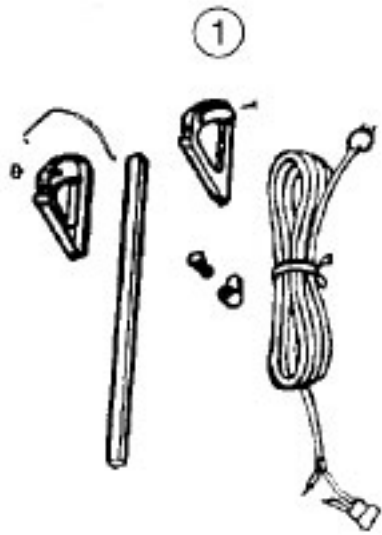
Available Replacement Parts for Oreck U3990H2B

OR-1000	BELT, FLAT, UPRIGHTS, 1PK
OR-6000	MOTOR AFTERMARKET
OR-7200	FAN HOUSING ASSY

Parts Diagram



Parts Assemblies



Part Numbers Listing: XL3600HH / XL3600RH / XL3610HH / U3700HH / U3710HH
Hypo Bag, Lights, Helping Hand Handle

#	Item	Order #	Qty.	Pk.			
1	XL3600HH / XL3600RH: Handle Assembly, includes items #38, #53, #54, #55, #56, #57, #59 Type 4 & 5 Units Only	09-75288-16	1	1			
	XL3610HH: Handle Assembly, includes items #38, #53, #54, #55, #56, #57, #59 Type 4 & 5 Units Only	09-75288-17	1	1			
1b	Kit, Retro, Handle Assembly, Residential, White, includes items #38, #54, #55, #58, #59, #80, #81 Type 4 & 5 Units Only	09-75612-01	1	1			
4	Docking Clip, Rear, Blue, Type CC (use w/#67 or order #83)	75583-01-438	1	1			
5	Dust Bag, (8 Pk.) Hypo Allergenic	CCPK8DW	1	8			
	Dust Bag, (25 Pk.) Hypo Allergenic	CCPK25DW	1	25			
6	XL3600HH / XL3610HH: Outer Bag, Lt. Gray, Gold Anniversary	75246-25	1	1			
	XL3600RH: Outer Bag, Dk Gray, Gold Anniversary	75246-29	1	1			
	U3700HH / U3710HH: Outer Bag, Lt Gray, Blue, Silver Plus	75645-03	1	1			
7	XL3600HH / XL3600RH: Bag Clip, White w/Gold	09-75078-17	1	1			
	XL3610HH: Bag Clip, White w/Black	09-75078-05	1	1			
	U3700HH: Bag Clip, White w/Blue	09-75078-21	1	1			
	U3710HH: Bag Clip, White w/Silver	09-75078-22	1	1			
8	Connector Assembly Kit, includes items #3 & #84	09-75308-57	1	1			
9	Collar	75309-02-0327	2	1			
10	Tube Assembly Type 4 Units Only	75188-01	1	1			
	Tube Assembly Type 5 & 6 Units Only	75198-04	1	1			
12	Fan Housing Assembly includes Rivet & Spring	09-75343-03	1	1			
16	End Cap	0134623	1	1			
18	METAXALLOY™ Fan Kit w/Washers	09-75300-01	1	1			
19	Fan Cup Seal	75012-01	1	1			
20	Cord Set	see #59					
21	Lamp Housing, White	75521-01-0431	1	1			
22	Lens	75520-01-455	1	1			
23	Bulb	00965-0019	2	1			
24	XL3600HH / XL3600RH / XL3610HH: Badge Decal, Gold	73020-01	1	1			
	U3700HH / U3710HH: Badge Decal, Blue	73020-03	1	1			
25	Lamp Holder Type 4 & 5 Units Only	75083-02	2	1			
	Lamp Holder Type 6 Units Only	75539-02	1	1			
26	Housing, White	75033-17-0431	1	1			
27	Bumper, White	75181-03	1	1			
28	Intake Pivot Assembly, with Felt Seal	09-75066-01	1	1			
29	Felt Seal	75065-01	1	1			
32	Felt Seal, Motor	75117-01	1	1			
33	Cord Retainer, Square	03-00494-01	1	1			
34	Motor Assembly Kit	09-75535-01	1	1			
35	Motor Seal	75095-01	2	1			
36	Kit, Motor Brush / Spring	09-75514-01	2	2			
39	Drive Belt, (3 Pk.)	0300604	1	3			
39a	Drive Belt, Single	75024-01	1	1			

Part Numbers Listing: XL3640HH / XL3800H2B / XL3900H2B / XL3910H2B / U3980H2B / U3990H2B

Hypo Bag, Lights, Helping Hand Handle

#	Item	Order #	Qty.	Pk.
1	Handle Assembly, Includes Items #38, #53, #54, #55, #56, #57, #59 Type 4 & 5 Units Only	09-75288-02	1	1
1b	Kit, Retro, Handle Assembly, Residential, White, includes items #38, #54, #55, #58, #59, #80, #81 Type 4 & 5 Units Only	09-75612-01	1	1
4	Docking Clip, Rear, Blue, Type CC (use w/#67 or order #83)	75583-01-438	1	1
5	Dust Bag, (8 Pk.) Hypo Allergenic	CCPK80W	1	8
	Dust Bag, (25 Pk.) Hypo Allergenic	CCPK250W	1	25
6	XL3640HH: Outer Bag, Lt. Gray, Black, White Plus	75645-01	1	1
	XL3800H2B: Outer Bag, Lt. Gray, Bk, XL ²	75246-26	1	1
	XL3900H2B / U3980H2B: Outer Bag, Lt. Gray, Gold, XL ² Ultra	75246-31	1	1
	XL3910H2B / U3990H2B: Outer Bag, Lt. Gray, Gold, Black Plus	75645-02	1	1
7	XL3640HH: Bag Clip, Curved, Black, Front	09-75694-02	1	1
	XL3800H2B: Bag Clip, Black w/Silver	09-75078-06	1	1
	XL3900H2B / XL3910H2B / U3980H2B / U3990H2B: Bag Clip, Curved, Black, Front	09-75694-01	1	1
	XL3640HH / XL3900H2B / XL3910H2B / U3980H2B / U3990H2B: Bag Clip, Curved, Black, Rear	75593-01-0327	1	1
8	Connector Assembly Kit, includes items #3 & #84	09-75308-57	1	1
9	Collar	75309-02-0327	2	1
10	Tube Assembly Type 4 Units Only	75198-01	1	1
	Tube Assembly Type 5 & 6 Units Only	75198-04	1	1
12	Fan Housing Assembly includes Rivet & Spring	09-75343-03	1	1
16	End Cap	0134623	1	1
18	METAXALLOY™ Fan Kit w/Washers	09-75300-01	1	1
19	Fan Cup Seal	75012-01	1	1
20	Cord Set	see #59		
21	Lamp Housing, Black	75521-01-0327	1	1
22	Lens	75520-01-455	1	1
23	Bulb	00965-0019	2	1
24	XL3640HH / XL3800H2B: Badge Decal, Silver	73020-02	1	1
	XL3900H2B / XL3910H2B / U3980H2B / U3990H2B: Badge Decal, Gold	73020-01	1	1
25	Lamp Holder Type 4 & 5 Units Only	75083-02	2	1
	Lamp Holder Type 6 Units Only	75539-02	1	1
26	Housing, Black	75033-17-0327	1	1
27	XL3800H2B: Bumper, White	75181-03	1	1
	XL3640HH / XL3900H2B / XL3910H2B / U3980H2B / U3990H2B: Bumper, Clear	75181-04	1	1
28	Intake Pivot Assembly with Felt Seal	09-75066-01	1	1
29	Felt Seal	75065-01	1	1
32	Felt Seal, Motor	75117-01	1	1
33	Cord Retainer, Square	03-00494-01	1	1
34	Motor Assembly Kit	09-75535-01	1	1
35	Motor Seal	75095-01	2	1

