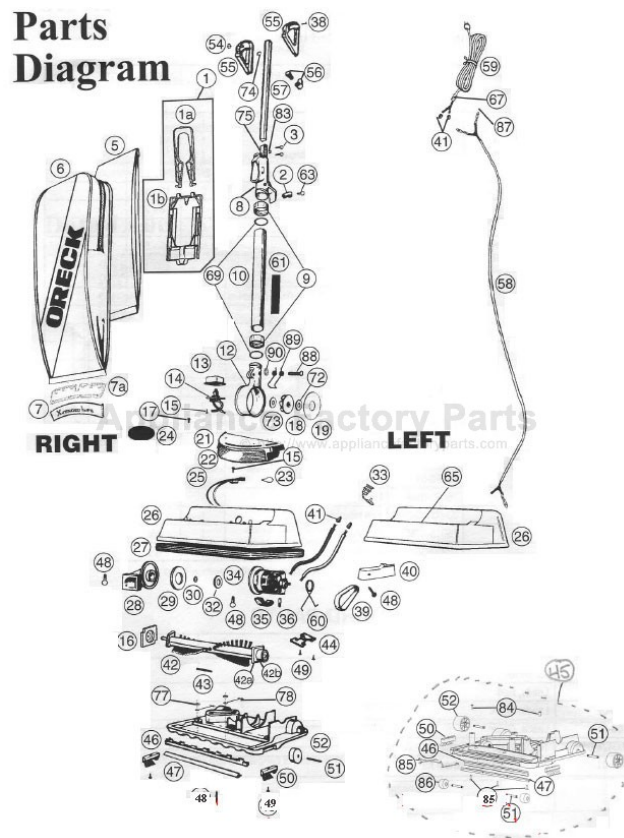


This Owner's Manual is provided and hosted by [Appliance Factory Parts](http://Appliance Factory Parts).



# Oreck U4090H2G Owner's Manual

[Shop genuine replacement parts for Oreck U4090H2G](#)



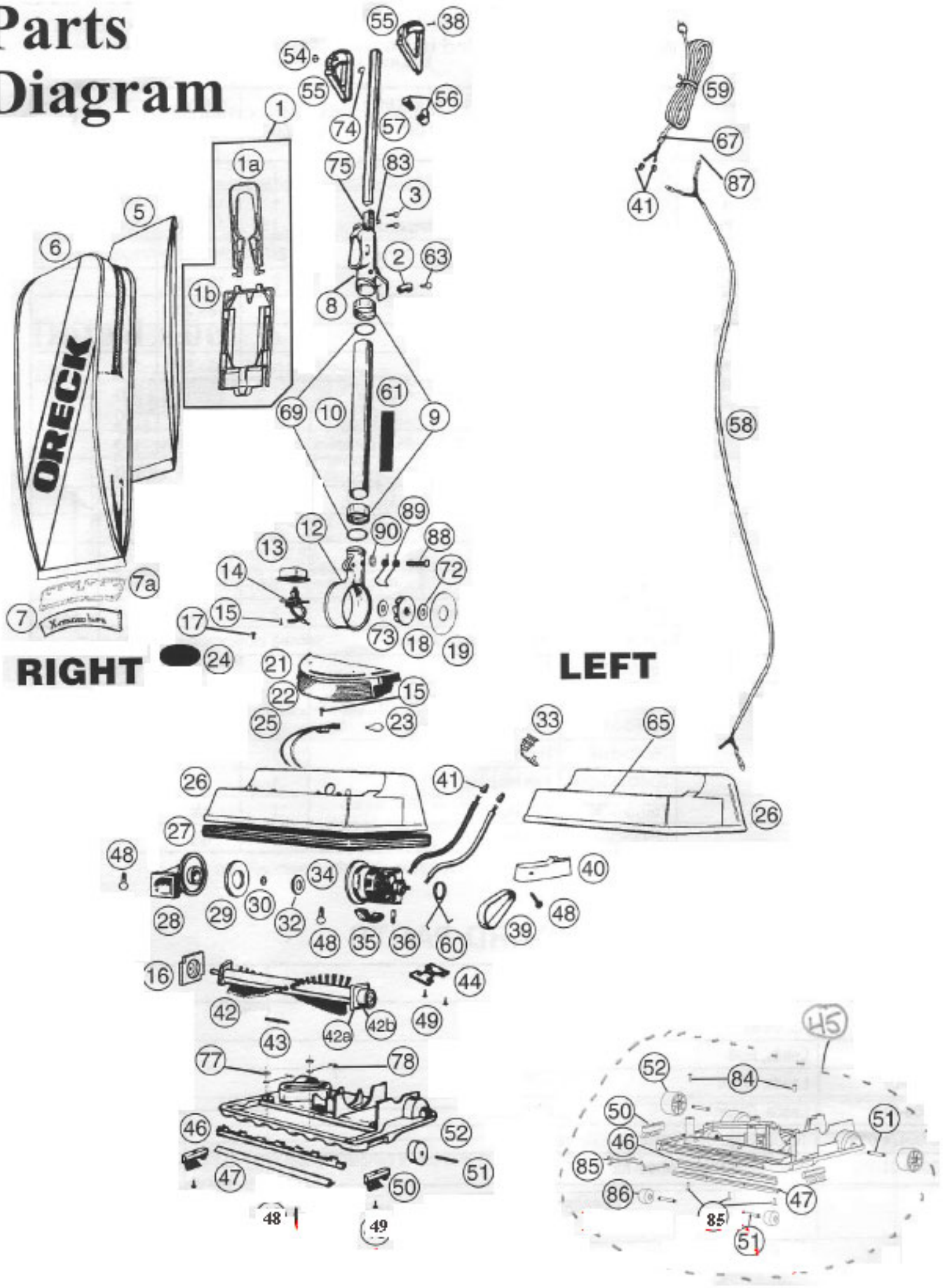
[Find Your Oreck Vacuum Cleaner Parts - Select From 249 Models](#)

----- Manual continues below part list -----

## Available Replacement Parts for Oreck U4090H2G

<a href="#">OR-1000</a>	BELT, FLAT, UPRIGHTS, 1PK
<a href="#">OR-6000</a>	MOTOR AFTERMARKET
<a href="#">OR-7200</a>	FAN HOUSING ASSY

# Parts Diagram



**Part Numbers Listing: U4090H2B / U4090H2G / U4090H2T / U4090H2P**  
Hypo Bag, Lights, Helping Hand Handle

#	Item	Order #	Qty.	Pk.		
1	Kit, Bag Dock, <i>includes 1a &amp; 1b</i>	09-75657-01	1	1		
1a	Docking Clip, Rear, Blue, Type CC	75583-01-438	1	1		
1b	Bag Dock Hinge, Blue, Type CC	75582-01-438	1	1		
5	Dust Bag, (8 Pk.) Hypo Allergenic	CCPK8DW	1	8		
	Dust Bag, (25 Pk.) Hypo Allergenic	CCPK25DW	1	25		
6	<b>U4090H2BS:</b> Outer Bag, Black, Polyester, Blue, Plus	75645-12	1	1		
	<b>U4090H2GS:</b> Outer Bag, Black, Polyester, Lime Green, Plus	75645-13	1	1		
	<b>U4090H2TS:</b> Outer Bag, Black, Polyester, Teal, Plus	75645-14	1	1		
	<b>U4090H2PS:</b> Outer Bag, Light Gray, Pink, Plus	75645-15	1	1		
7	<b>U4090H2BS:</b> Bag Clip, Front, Black w/White	09-75594-02	1	1		
	<b>U4090H2GS:</b> Bag Clip, Front, Lime Green w/White	09-75594-08	1	1		
	<b>U4090H2TS:</b> Bag Clip, Front, Teal w/White	09-75594-07	1	1		
	<b>U4090H2PS:</b> Bag Clip, Front, Pink w/White	09-75594-09	1	1		
7a	<b>U4090H2BS:</b> Bag Clip, Rear, Black	75593-01-0327	1	1		
	<b>U4090H2GS:</b> Bag Clip, Rear, Lime Green	75593-01-461	1	1		
	<b>U4090H2TS:</b> Bag Clip, Rear, Teal	75593-01-462	1	1		
	<b>U4090H2PS:</b> Bag Clip, Rear, Pink	75593-01-468	1	1		
8	Connector Assembly Kit, <i>includes items #3 &amp; #83</i>	09-75308-57	1	1		
9	Collar	75309-02-0327	2	1		
10	Tube Assembly	75198-05	1	1		
12	Fan Housing Assembly <i>includes Rivet &amp; Spring</i>	09-75343-03	1	1		
16	Endcard, Metal Pulley Brush, Rt	75704-01	1	1		
18	METAXALLOY™ Fan Kit w/Washers	09-75300-01	1	1		
19	Fan Cup Seal	75012-01	1	1		
20	Cord Set	<i>see #59</i>				
21	<b>U4090H2BS:</b> Lamp Housing, Curved, Black	75521-01-0327	1	1		
	<b>U4090H2GS:</b> Lamp Housing, Curved, Lime Green	75521-01-461	1	1		
	<b>U4090H2TS:</b> Lamp Housing, Curved, Teal	75521-01-462	1	1		
	<b>U4090H2PS:</b> Lamp Housing, Curved, Pink	75521-01-468	1	1		
22	Lens	75520-01-455	1	1		
23	Bulb	00965-0019	2	1		
24	<b>U4090H2BS:</b> Badge Decal, Black on Silver	73020-04	1	1		
	<b>U4090H2GS:</b> Badge Decal, Lime Green on Silver	73020-06	1	1		
	<b>U4090H2TS:</b> Badge Decal, Teal on Silver	73020-05	1	1		
	<b>U4090H2PS:</b> Badge Decal, Pink on Silver	73020-07	1	1		
25	Lamp Holder	75539-01	1	1		
26	<b>U4090H2BS:</b> Housing, Black	75033-17-0327	1	1		
	<b>U4090H2GS:</b> Housing, Lime Green	75033-17-461	1	1		
	<b>U4090H2TS:</b> Housing, Teal	75033-17-462	1	1		
	<b>U4090H2PS:</b> Housing, Pink	75033-17-468	1	1		
27	Bumper, Clear w/Blue Tint	75181-04	1	1		
28	Intake Pivot Assembly, <i>includes #29</i>	09-75066-02	1	1		
29	Felt Seal	75065-01	1	1		
32	Felt Seal, Motor	75117-01M	1	100		
33	Cord Retainer, Square	03-00494-01	1	1		

**Part Numbers Listing: U4090H2B / U4090H2G / U4090H2T / U4090H2P cont.**  
Hypo Bag, Lights, Helping Hand Handle

#	Item	Order #	Qty.	Pk.			
34	Motor Assembly Kit	09-75535-01	1	1			
	Motor Seal	75095-01	2	1			
36	Kit, Motor Brush / Spring	09-75514-01	2	2			
39	Drive Belt, (3 Pk.)	0300604	1	3			
39a	Drive Belt, Single	75024-01	1	1			
40	<b>U4090H2BS:</b> Door, Belt, Black	75057-01-0327	1	1			
	<b>U4090H2GS:</b> Door, Belt, Lime Green	75057-01-461	1	1			
	<b>U4090H2TS:</b> Door, Belt, Teal	75057-01-462	1	1			
	<b>U4090H2PS:</b> Door, Belt, Pink	75057-01-468	1	1			
42	Brush Roll, Metal Pulley	75104-02	1	1			
42a	Endcard, Metal Pulley Side, Lft	75705-01	1	1			
42b	Brush Roll Pulley, Metal	75706-01	1	1			
43	Seal, Baseplate	75008-01	1	1			
44	Plastic Detent, (uses 2 #49 screws)	75299-01	1	1			
45	Complete Baseplate Assembly <i>includes: #43, #46, #47, #50, #51, #52, #84, #85, #86</i>	09-75715-01	1	1			
46	MICRO SWEEP Blade	75700-01	1	1			
47	Channel	75701-01	1	1			
50	Edge Brush w/o Wheels, Left & Right	75179-03	2	1			
51	Wheel Axle	03-00630-01M	4	100			
52	Soft Rear Wheel, Black	75187-01-0327	2	1			
54	Switch, 2 Position Assembly	75585-01	1	1			
	<b>U4090H2BS:</b> Grips, Black, Set	09-75576-02	1	1			
	<b>U4090H2GS:</b> Grips, Lime Green, Set	09-75576-32	1	1			
	<b>U4090H2TS:</b> Grips, Teal, Set	09-75576-31	1	1			
	<b>U4090H2PS:</b> Grips, Pink, Set	09-75576-33	1	1			
56	<b>U4090H2BS:</b> Cord Wrap Assembly w/Post and Cord Wrap, Black	09-75185-01	1	1			
	<b>U4090H2GS:</b> Cord Wrap Assembly w/Post and Cord Wrap, Lime Green	09-75185-13	1	1			
	<b>U4090H2TS:</b> Cord Wrap Assembly w/Post and Cord Wrap, Teal	09-75185-12	1	1			
	<b>U4090H2PS:</b> Cord Wrap Assembly w/Post and Cord Wrap, Pink	09-75185-14	1	1			
57	Handle Tube, Chrome	75190-03	1	1			
58	<b>U4090H2BS:</b> Cord, Harness Assembly, Black	75552-02-327	1	1			
	<b>U4090H2GS / U4090H2TS / U4090H2PS:</b> Cord, Harness Assembly, White	75552-02-328	1	1			
59	<b>U4090H2BS:</b> Cord Set, Black w/ #67	75556-02-327	1	1			
	<b>U4090H2GS / U4080H2TS / U4090H2PS:</b> Cord Set, White w/ #67	75556-02-328	1	1			
60	Motor Spring	75283-01	2	1			
61	Tube Label	75087-05	1	1			
67	Cord Flex Relief	03-00600-01	1	1			
75	Stiffener, Through Bolt Connector	75619-01	1	1			
	User's Manual	75416-05	1	1			
	Magnet Clean Vacuum Protector	MC4BK	1	1			
76	Front Wheel	75709-01	2	1			