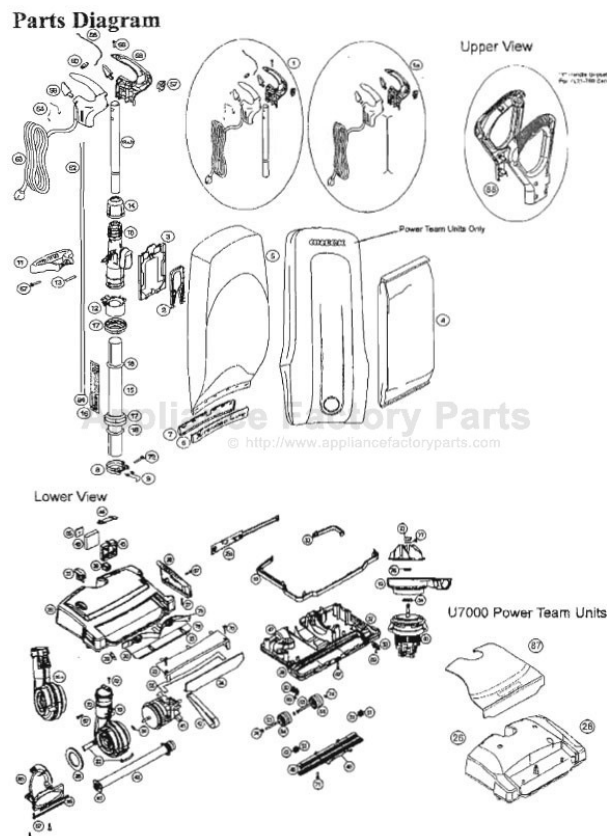


This Owner's Manual is provided and hosted by [Appliance Factory Parts](http://www.appliancefactoryparts.com).



Oreck U7200ECB Owner's Manual

[Shop genuine replacement parts for Oreck U7200ECB](#)



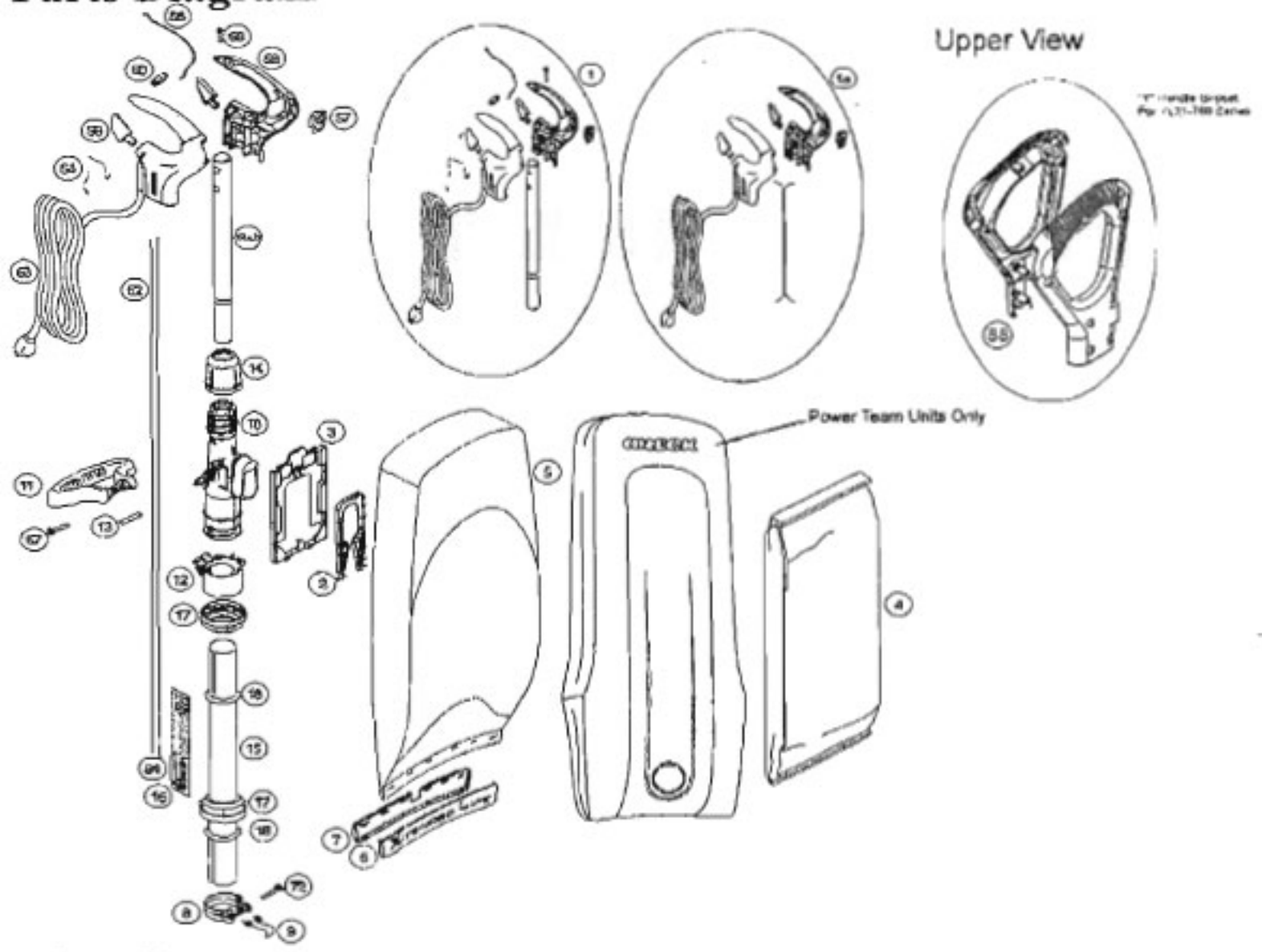
[Find Your Oreck Vacuum Cleaner Parts - Select From 249 Models](#)

----- Manual continues below part list -----

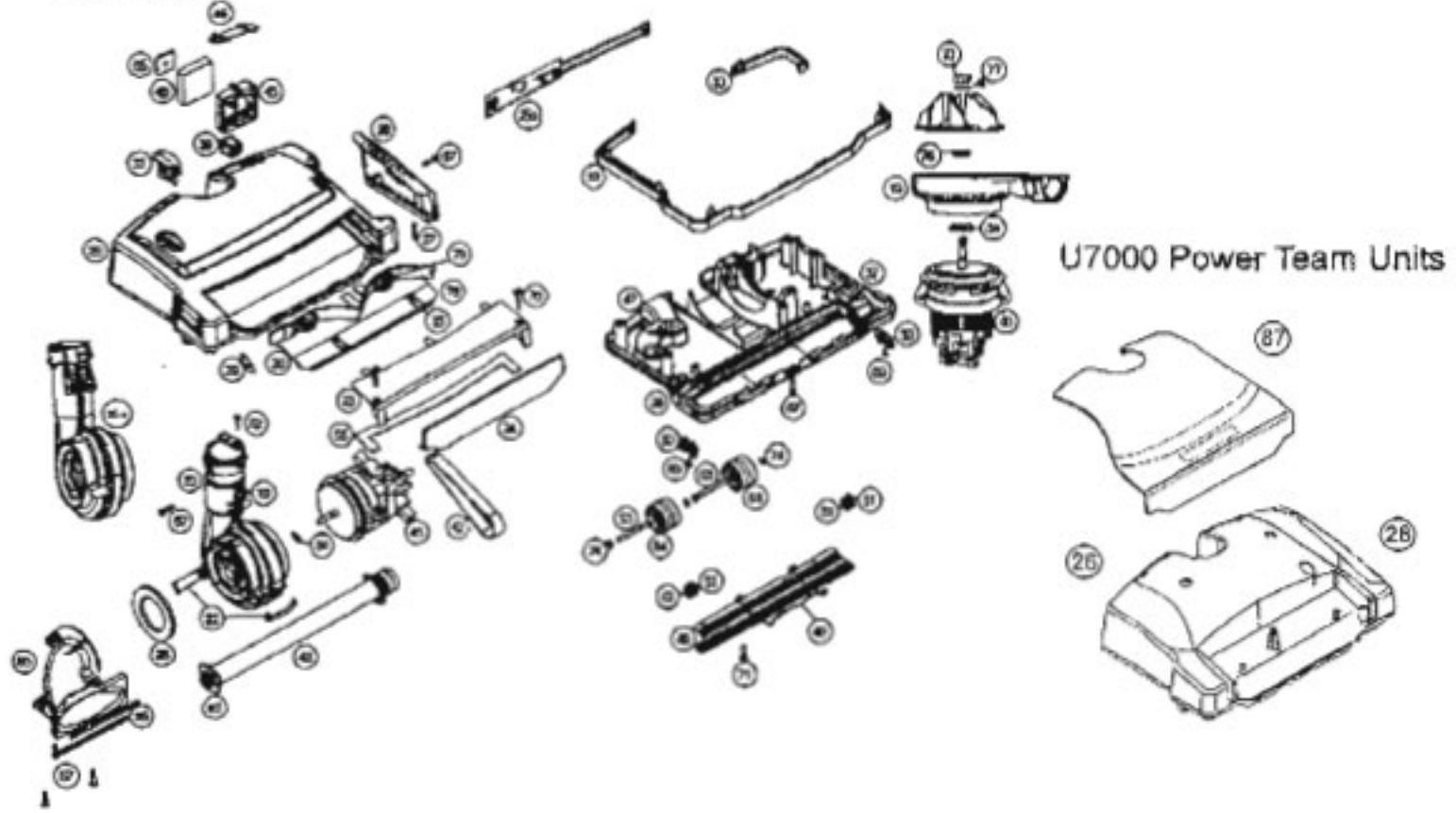
Available Replacement Parts for Oreck U7200ECB

OR-1000	BELT, FLAT, UPRIGHTS, 1PK
O-7713402	EDGE BRUSH ASSEMBLY
O-7704601	Channel/Squeegee.
O-430000947	REAR CARRY HANDLE
O-430001300	Brushroll Assembly.

Parts Diagram



Lower View



PILOT SERIES UPRIGHT

Part Numbers Listing: U7200ECB, U7300ECB

Antimicrobial Type 6 Units

#	Item	Order #	Qty.	Pk.
2	Bag Dock, Rear Type CC	75583-02-0327	1	1
3	Bag Dock, Hinge	75582-02-0327	1	1
4	Dust Bag, (8 Pk.) Hypo Allergenic	CCPK8DW	1	8
	Dust Bag, (25 Pk.) Hypo Allergenic	CCPK25DW	1	25
	Dust Bag, (8 Pk.) Odor Control	CCPK8OF	1	8
	Dust Bag, (25 Pk.) Odor Control	CCPK25OF	1	25
5	U7200ECB: Outer Bag, U7300ECB: Outer Bag,	79046-01 79046-02	1 1	1 1
10	Connector Assembly	77075-03-0327	1	1
11	Handle, Carry	77014-01-0384	1	1
12	Clamp, Carrying Handle	77015-01-0327	1	1
13	Detent, Carrying Handle	77066-01	1	1
14	Collar, Upper Handle	77048-01-0327	1	1
15	Tube, Lower	79045-01	1	1
16	Label, Tube	77078-02	1	1
17	Collar, Lower	77049-01-0327	2	1
18	O'Ring, Tube Connector	77054-01	2	1
21	Fan Kit w/Washers (See pg. 2)	09-79066-01	1	1
25A	LED Light (LED Units Only)	75770-01	1	1
26	U7200ECB: Top Cover/Belt Door Assembly Black	09-79051-01	1	1
	U7300ECB: Top Cover/Belt Door Assembly Black	09-79051-02	1	1
28	Belt Door Black	79078-01-0327	1	1
29	Detent	77017-01	1	1
32	Bumper, Main, Gray	77012-01-0384	1	1
33	Bumper, Side, Gray	77013-01-0384	1	1
34	Felt Seal, Motor	75117-01M	1	100
35	Seal, Inlet Foam, Black	77031-01	2	1
36	Seal, Felt Inlet, White	77032-01	1	1
37	Seal, Power Nozzle 5"	77043-01	1	1
38	Seal Power Nozzle 1"	77043-02	1	1
39	Strain Relief, Square	03-00655-01	1	1
40	Motor Assembly Kit	09-77038-02	1	1
41	Motor Brush & Spring Kit	77114-01	2	2
42	Drive Belt, (3 Pk.)	0300604	1	3
42a	Drive Belt, Single	75024-01	1	1
43	Brush Roll Assembly	79031-01	1	1
47	Complete Base Plate Assembly w/Squeegee, Channel, Wheels <i>Includes #48, 49, 50a, 51, 52, 53, 54, 71</i>	09-79049-51	1	1
48	Channel/Squeegee	77046-01	1	1
49	Sock Guard	77055-01	1	1
50a	Edge Brush Assembly	77134-02	2	1
51	Wheel, Front	77050-02-0327	2	1
52	Axle, Front Wheel	03-00583-01	2	1
53	Axle, Rear Wheel	03-00630-01	2	1
54	Rear Wheel, Black	75187-02-0327	2	1

PILOT SERIES UPRIGHT**Part Numbers Listing: U7200ECB, U7300ECB***Antimicrobial Type 6 Units*

#	Item	Order #	Qty.	Pk.		
57	Switch, 2 Speed	77155-01	1	1		
58	Grips, Black, Set	09-77208-03	1	1		
59	Cord Dump, Black	09-77016-03	1	1		
60	Detent, Cord Dump	77061-02	1	1		
61b	Handle Tube	77028-03	1	1		
62	Cord Harness, 2Conductor, Black	77111-04-327	1	1		
63	U7200ECB: Cord Set, Black, 30'	77132-01-327	1	1		
	U7300ECB: Cord Set, Black, 36' Platinum Plus	79027-01-327	1	1		
80	Inlet	77078-02-0327	1	1		
81	Endcard, Right	77021-02	1	1		
83	Kit, Bag Dock, Type CC, Black	09-75657-02	1	1		
87	U7200ECB: Fascia Black/Blue	79041-01	1	1		
	U7300ECB: Fascia Silver/Black	79041-02	1	1		
90	U7200ECB: Rear Joint Cover Blue	09-79048-01	1	1		
	U7300ECB: Rear Joint Cover Black	09-79048-02	1	1		
91	Joint Assembly <i>Includes Left & Right Joints and Rope Gasket</i>	09-79067-01	1	1		
92	Clamp Assembly <i>Includes Spacer</i>	09-79038-51	1	1		
93	Tune Up Kit <i>Includes Magnumlube, Rope Gasket and Joint Seals for 5 tune ups</i>	09-79068-01	1	1		