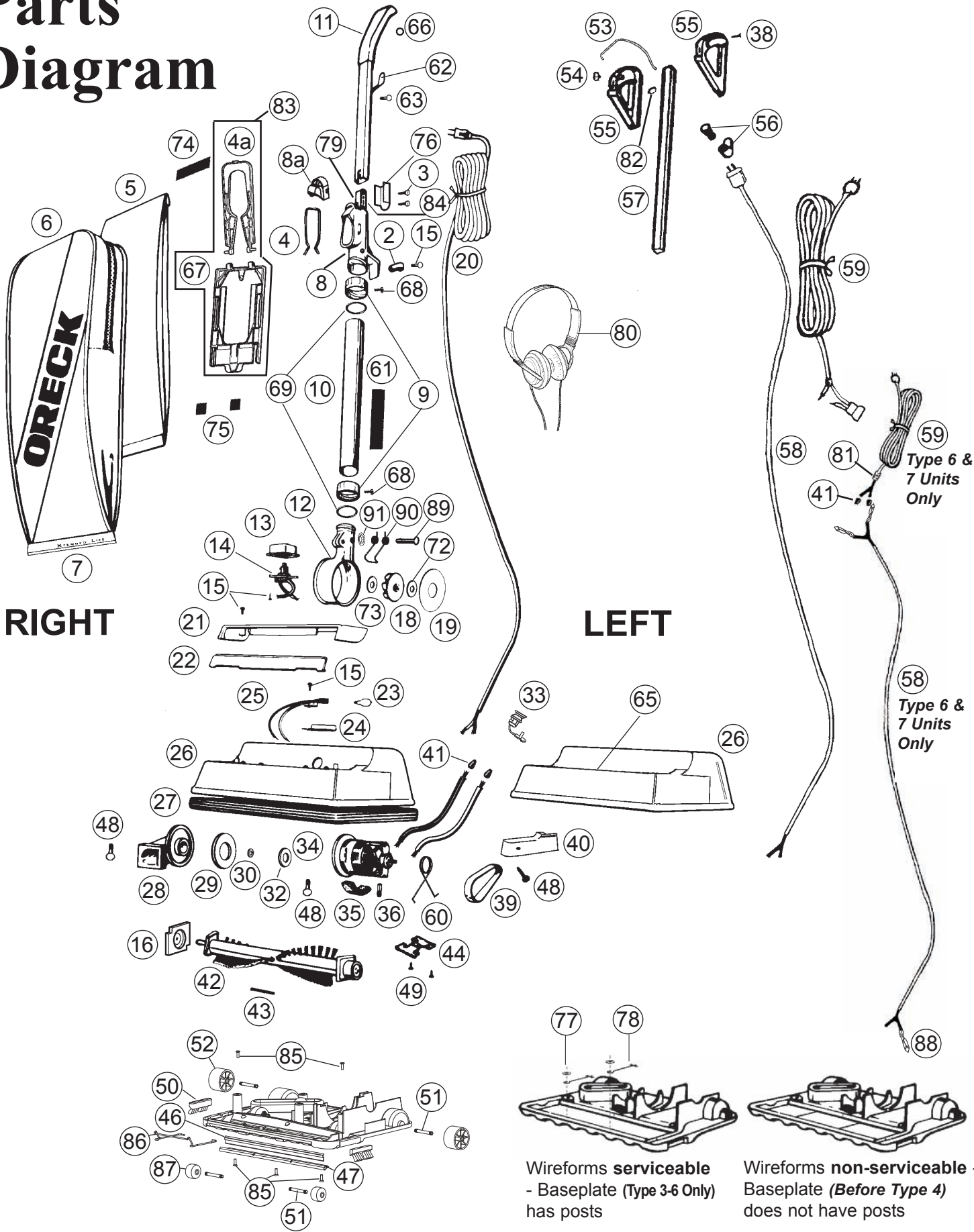




# Parts Diagram



**RIGHT**

**LEFT**

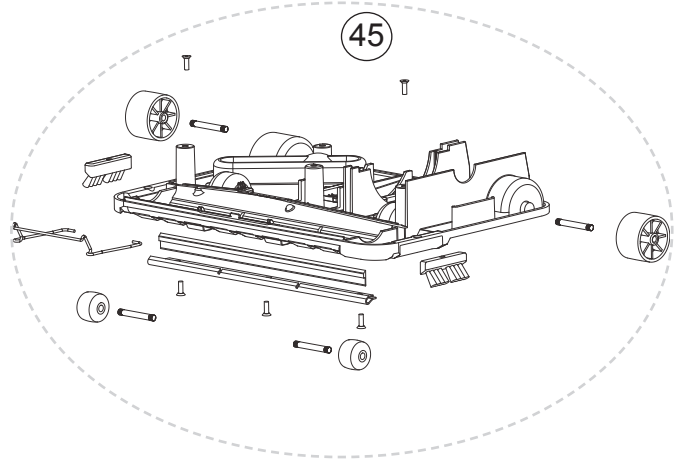
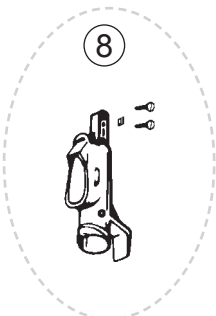
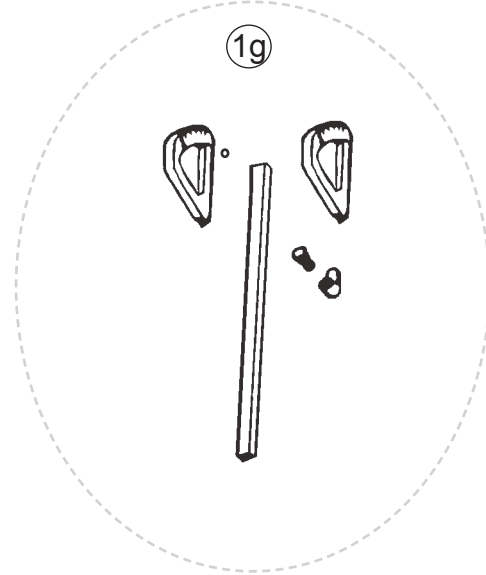
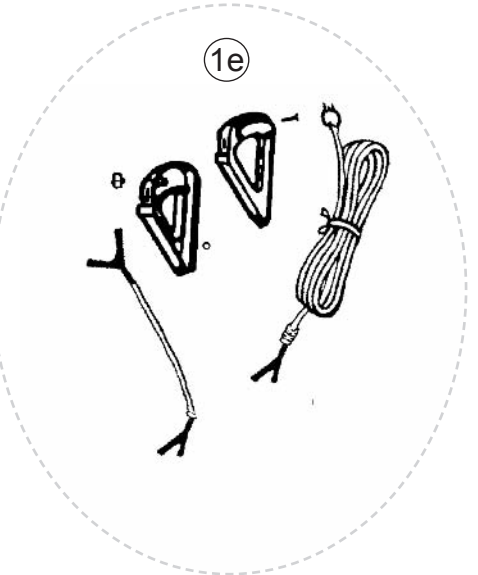
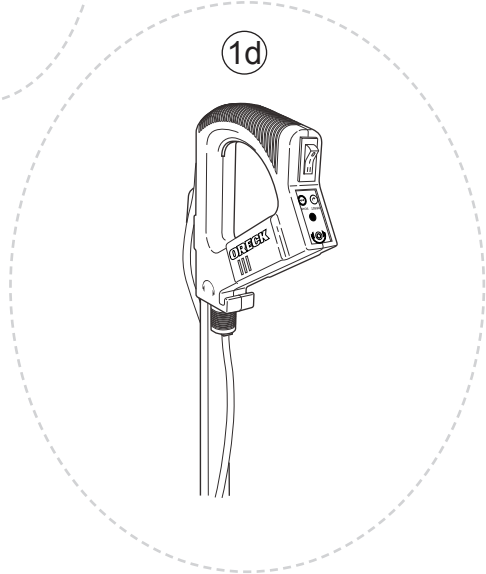
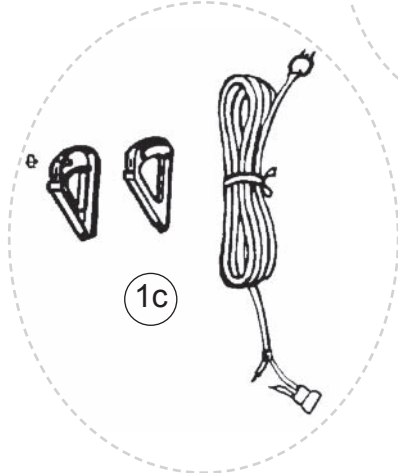
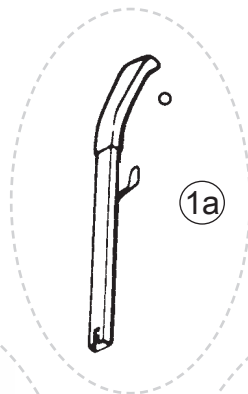
Type 6 & 7 Units Only

Type 6 & 7 Units Only

Wireforms **serviceable**  
- Baseplate (Type 3-6 Only)  
has posts

Wireforms **non-serviceable** -  
Baseplate (Before Type 4)  
does not have posts

# Parts Assemblies



**Part Numbers Listing: XL2000RH, XL2100RH, XL2090RHM & XL2070RH**  
 Regular Bag, Helping Hand Handle, Commercial, No Lights

#	Item	Order #	Qty.	Pk.			
1b	<b>XL2000RH:</b> Handle Assembly, <i>includes items #38, #53, #54, #55, #56, #57, #59 Type 1, 2, 3, 4 &amp; 5 Units Only</i>	<del>09-75288-05</del> ORDER 1e			NLA	NLA	NLA
	<b>XL2100RH:</b> Handle Assembly, <i>includes items #38, #53, #54, #55, #56, #57, #59 Type 1, 2, 3, 4 &amp; 5 Units Only</i>	<del>09-75288-06</del> ORDER 1e			NLA	NLA	NLA
	<b>XL2090RHM:</b> Handle Assembly, <i>includes items #38, #53, #54, #55, #56, #57, #59 Type 1, 2, 3, 4 &amp; 5 Units Only</i>	<del>09-75288-08</del> ORDER 1e			NLA	NLA	NLA
1c	<b>XL2000RH:</b> Tortuous Grip & Cord Assembly, <i>includes items #54, #55, #59 Type 1 Units Only</i>	09-75342-05			NLA	NLA	NLA
	<b>XL2100RH:</b> Tortuous Grip & Cord Assembly, <i>includes items #54, #55, #59 Type 1 Units Only</i>	09-75342-06			NLA	NLA	NLA
	<b>XL2090RHM:</b> Tortuous Grip & Cord Assembly, <i>includes items #54, #55, #59 Type 1 Units Only</i>	09-75342-09			NLA	NLA	NLA
1e	Kit, Retro, Handle Assembly, Commercial, Red, <i>includes items #38, #54, #55, #58, #59, #81, #82 Type 1, 2, 3, 4 &amp; 5 Units Only</i>	O-097561101					
1f	Kit, Retro, Handle Assembly, Commercial, Red, <i>includes items #38, #53, #54, #55, #56, #57, #58, #59, #81, #82</i>	09-75562-09					
	<b>XL2090RHM:</b> Kit, Retro, Handle Assembly, Commercial, Green, <i>includes items #38, #53, #54, #55, #56, #57, #58, #59, #81, #82</i>	09-75562-58					
4	Bag Retainer Spring	O-010-8423					
5	Dust Bag, (9 Pk.) Regular	PK80009					
	Dust Bag, (25 Pk.) Regular	PK800025					
6	<b>XL2000RH:</b> Outer Bag, Drk. Gray, Red, Red, Commercial	O-010-0216					
	<b>XL2100RH:</b> Outer Bag, Drk. Blue, Blue, Blue	O-7524618					
	<b>XL2090RHM:</b> Outer Bag, Merry Maids	75246-08					
	<b>XL2070RH:</b> Outer Bag, Gray, White, Turquoise	75246-34					
7	<b>XL2000RH:</b> Bag Clip, Red	O-097507808					
	<b>XL2100RH:</b> Bag Clip, Blue	O-097507809					
	<b>XL2090RHM:</b> Bag Clip, Kelly Green	09-75078-01					
	<b>XL2070RH:</b> Bag Clip, Turquoise	09-75078-20					
8	Connector Assembly Kit, <i>includes items #3 &amp; #84</i>	O-097530857					
8a	Deflector, Black, Snap <b>Type 1 &amp; 2 Units Only</b>	O-013-3051					
9	Collar	75309-02-0327					
10	Tube Assembly <b>Type 1, 2, 3 &amp; 4 Units Only</b>	75188-01					
	Tube Assembly <b>Type 5, 6 &amp; 7 Units Only</b>	75198-05					
12	Fan Housing Assembly <i>includes Rivet &amp; Spring</i>	09-75343-03					
16	End Cap, Left	0134623					
18	METAXALLOY™ Fan Kit w/Washers	09-75300-01					
19	Fan Cup Seal	75012-01					
20	Cord Set	see #59					
26	<b>XL2000RH:</b> Housing, Red, w/Label <b>Type 1, 2, 3, 4 &amp; 5 Units Only</b>	O-097527103					
	<b>XL2000RH:</b> Housing, Red, Rapid Replacement <b>Type 7 Units Only</b>	09-75426-26					
	<b>XL2000RH:</b> Housing, Gray, Rapid Replacement Restauranteur <b>Type 6 &amp; 7 Units Only</b>	09-75426-27					
	<b>XL2100RH:</b> Housing, Blue, w/Label	09-75430-05					
	<b>XL2090RHM:</b> Housing, Kelly Green, w/Label	09-75430-17					
	<b>XL2070RH:</b> Housing, Turquoise w/Label	09-75426-17					
27	Bumper, Clear	O-014-0367					
28	Intake Pivot Assembly, <i>with Felt Seal</i>	09-75066-02					
29	Felt Seal	75065-01					
32	Felt Seal, Motor	75117-01M					
33	Cord Retainer, Round <b>Type 1, 2 &amp; 3 Units Only</b>	O-030045701					
	Cord Retainer, Square <b>Type 4, 5, 6 &amp; 7 Units Only</b>	03-00494-01					
34	Motor Assembly Kit	09-75505-01					
35	Motor Seal	75095-01					
36	Kit, Motor Brush (Large & Small) / Spring	09-75514-01					
39	Drive Belt, (3 Pk.)	0300604					
39a	Drive Belt, Single	75024-01					
40	<b>XL2000RH:</b> Door, Belt, Red	75057-01-441					
	<b>XL2000RH:</b> Door, Belt, Gray <b>Type 6 Units Only</b>	75057-01-0384					
	<b>XL2100RH:</b> Door, Belt, Blue	O-7505701438					
	<b>XL2090RHM:</b> Door, Belt, Kelly Green	O-75057010433					
	<b>XL2070RH:</b> Door, Belt, Turquoise	75057-01-458					

## Part Numbers Listing: XL2000RH, XL2100RH, XL2090RHM & XL2070RH cont.

Regular Bag, Helping Hand Handle, Commercial, No Lights

#	Item	Order #	Qty.	Pk.
42	<b>XL2000RH / XL2100RH / XL2070RH:</b> Brush Roll, Plastic Pulley	O-016-1152		
	<b>XL2090RHM:</b> Brush Roll, Metal Pulley	OR-2000		
42a	<b>XL2090RHM:</b> Endcard, Metal Pulley Side, Left	75705-01		
42b	<b>XL2090RHM:</b> Brush Roll Pulley, Metal	75706-01		
43	Seal, Baseplate	O-010-7721		
44	Plastic Detent, (uses 2 #49 screws)	O-7529901		
45	Complete Baseplate Assembly, Commercial <i>includes: #43, #46, #47, #50, #51, #52, #85, #86, #87</i>	09-75715-03		
46	MICRO SWEEP Blade <i>Type 1-6 Units Only</i>	O-010-8450		
	MICRO SWEEP Blade <i>Type 7 Units Only</i>	O-7570002		
47	Channel <i>Type 1-6 Units Only</i>	O-013-2353		
	Channel <i>Type 7 Units Only</i>	O-7570101		
50	Edge Brush, w/o wheels	75766-02		
51	Wheel Axle	O-010-0159		
52	Soft Rear Wheel, Black	OR-7100		
53	Static Wire <i>Type 1, 2, 3, 4 &amp; 5 Units Only</i>	O-010-9856		
54	Switch, 2 Position Assembly <i>Type 1, 2, 3, 4 &amp; 5 Units Only</i>	O-010-8830		
	Switch, 2 Position Assembly <i>Type 6 &amp; 7 Units Only</i>	O-7555901		
55	<b>XL2000RH:</b> Grips, Red Set <i>Type 2, 3, 4 &amp; 5 Units Only</i> ( <i>Type 1 Units Order Assembly 1e For Grips</i> )	O-097530108		
	<b>XL2000RH:</b> Grips, Red Set <i>Type 6 &amp; 7 Units Only</i>	09-75576-08		
	<b>XL2100RH:</b> Grips, Blue Set <i>Type 2, 3, 4 &amp; 5 Units Only</i> ( <i>Type 1 Units Order Assembly 1e For Grips</i> )	O-097530106		
	<b>XL2100RH:</b> Grips, Blue Set <i>Type 6 &amp; 7 Units Only</i>	O-097557606		
	<b>XL2090RHM:</b> Grips, Kelly Green <i>Type 2, 3, 4 &amp; 5 Units Only</i> ( <i>Type 1 Units Order Assembly 1e For Grips</i> )	O-097530105		
	<b>XL2090RHM:</b> Grips, Kelly Green Set <i>Type 6 &amp; 7 Units Only</i>	09-75576-05		
	<b>XL2070RH:</b> Grips, Turquoise Set <i>Type 6 &amp; 7 Units Only</i>	09-75576-25		
56	<b>XL2000RH:</b> Cord Wrap Assy, <i>includes Post &amp; Cord Wrap</i>	O-097518507		
	<b>XL2100RH:</b> Cord Wrap Assy, <i>includes Post &amp; Cord Wrap</i>	O-097518508		
	<b>XL2090RHM:</b> Cord Wrap Assy, <i>includes Post &amp; Cord Wrap</i>	O-013-1132		
	<b>XL2070RH:</b> Cord Wrap Assy, <i>includes Post &amp; Cord Wrap</i>	O-097518505		
57	<b>XL2000RH / XL2070RH:</b> Handle Tube	O-7519002		
	<b>XL2100RH / XL2090RHM:</b> Handle Tube	O-7519001		
58	<b>XL2000RH / XL2100RH:</b> Cord, Harness Assembly, Black <i>Type 1, 2, 3, 4 &amp; 5 Units Only</i>	O-010-2669		
	<b>XL2000RH / XL2100RH:</b> Cord, Harness Assembly, Red <i>Type 6 &amp; 7 Units Only</i>	O-7555703441		
	<b>XL2090RHM:</b> Cord, Harness Assembly, Black <i>Type 1, 2, 3, 4 &amp; 5 Units Only</i>	O-010-2669		
	<b>XL2090RHM / XL2070RH:</b> Cord, Harness Assy, White <i>Type 6 &amp; 7 Units Only</i>	75557-03-328		
59	<b>XL2100RH / XL2000RH:</b> Cord Set, Red w/ #81 <i>Type 6 &amp; 7 Units Only</i>	75558-02-441		
	<b>XL2000RH / XL2100RH / XL2090RHM:</b> Cord Set, Black <i>Type 2, 3, 4 &amp; 5 Units Only (Type 1 Units Order Assembly 1e For Cord Set)</i>	O-7529401327		
	<b>XL2090RHM / XL2070RH:</b> Cord Set, White w/ #81 <i>Type 6 &amp; 7 Units Only</i>	75558-02-328		
60	Motor Spring	O-7528301		
61	Tube Label	O-7508705		
65	"Oreck Commercial" Name Plate Label	75599-02		
	"Rapid Replacement Restaurant" Name Plate Label	75599-04		
	"Rapid Replacement" Name Plate Label	75599-05		
76	Handle Brace	O-7543501		
76a	Handle Brace Kit	O-7543501		
	User's Manual	75417-05		
	Magnet Clean Vacuum Protector	MC4BK		
79	Stiffener (uses same length screws, notched)	75189-02		
	Stiffener, Through Bolt Connector (uses different length screws)	75619-01		
81	Cord Flex Relief <i>Type 6 &amp; 7 Units Only</i>	O-030060001		
87	Front Wheel <i>Type 7 Units Only</i>	O-7570901		

\*Type 7 Units