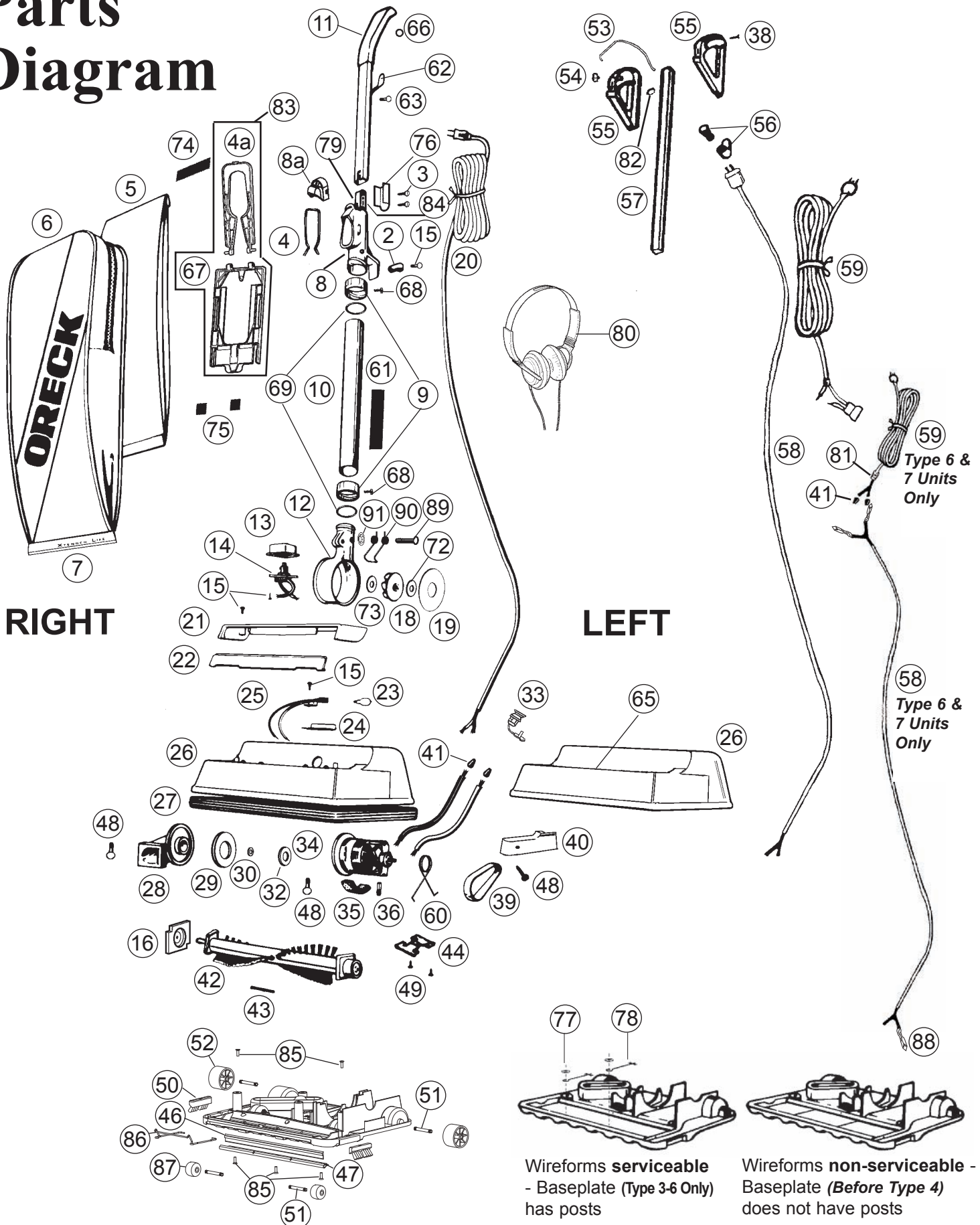


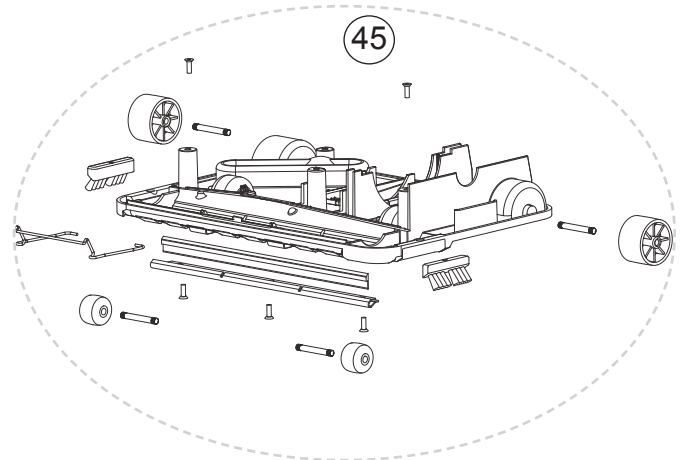
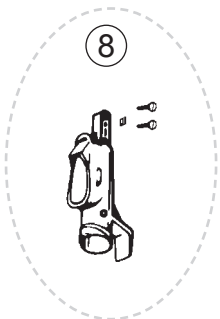
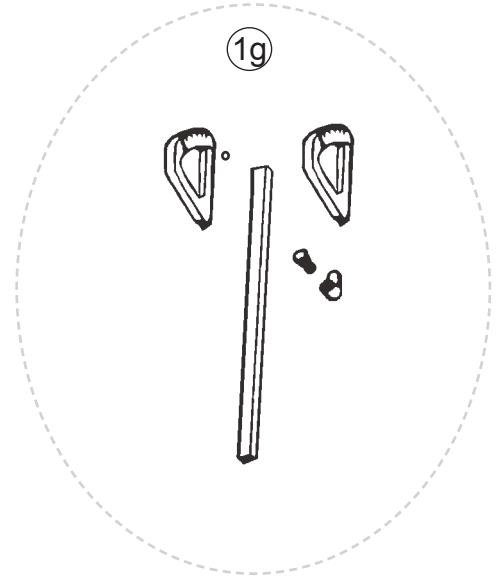
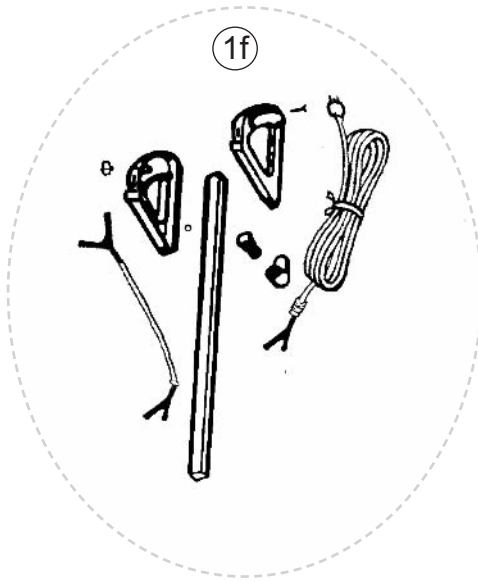
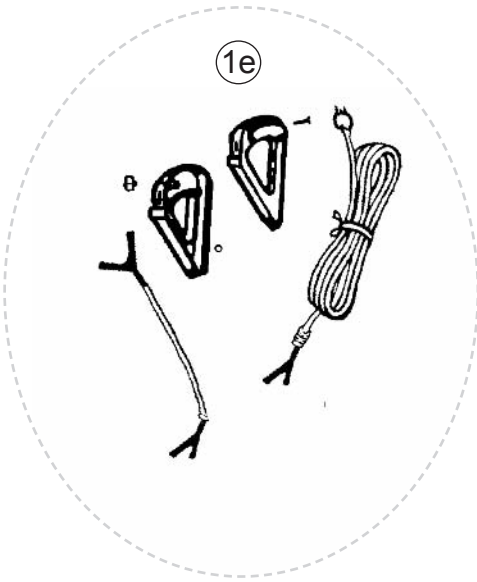
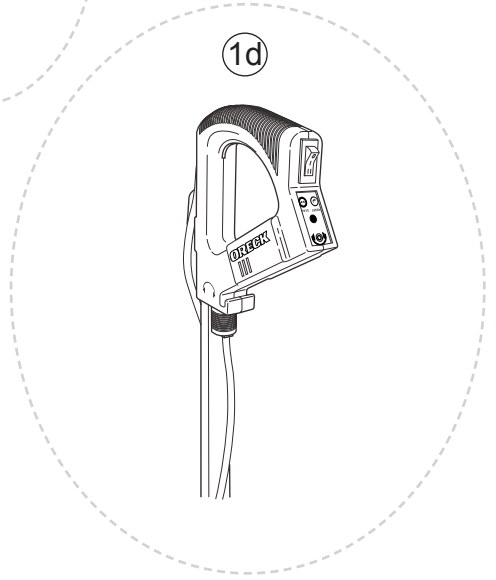
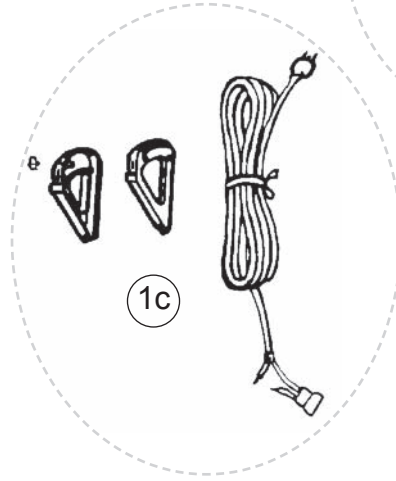
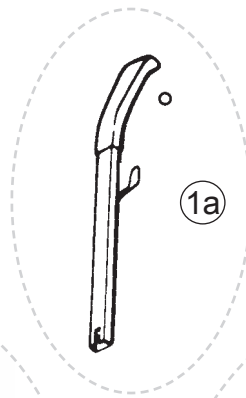
# Parts Diagram

**RIGHT**

**LEFT**



# Parts Assemblies



# Part Numbers Listing: XL2250RS / XL2260RS

Regular Bag, Lights, Foot Switch

#	Item	Order #	Qty.	Pk.		
1a	Handle Assembly	O-7521901				
4a	Docking Clip, Rear, Type CC (use w/#67 or order #83)	O-7558301438				
5	Dust Bag, (8 Pk.) Regular	O-20008				
	Dust Bag, (25 Pk.) Regular	O-200025				
6	Outer Bag, Dark Gray, Black, Dark Gray	O-010-0216				
7	Bag Clip, Gray	O-097507807				
8	Connector Assembly Kit, <i>includes items #3 &amp; #84</i>	O-097530857				
8a	Deflector, Black, Snap <b>Type 1 &amp; 2 Units Only</b>	O-013-3051				
9	Collar	O-7530902327				
10	Tube Assembly <b>Type 1, 2, 3 &amp; 4 Units Only</b>	O-7518801				
	Tube Assembly <b>Type 5 &amp; 6 Units Only</b>	O-7519805				
11	Grip, Handle, White	O-010-4173				
12	Fan Housing Assembly <i>includes Rivet &amp; Spring</i>	O-097534302				
13	Switch Cover	O-097526601				
14	Switch Assembly	O-010-8823				
16	End Cap	O-0134623				
18	METAXALLOY™ Fan Kit w/Washers	O-097530001				
19	Fan Seal Cup	O-013-7714				
20	Cord Set, White	O-010-2802				
21	Lamp Housing w/Reflectors, Gray	O-097507308				
22	Lens	O-013-5576				
23	Bulb	O-010-1177				
24	Bulb Reflector	O-7503401				
25	Lamp Holder	O-7503401				
26	Housing w/Reflectors, Gray	O-015-4924				
27	Bumper, White	O-014-0359				
28	Intake Pivot Assembly <i>with Felt Seal</i>	09-75066-02				
29	Felt Seal	O-010-7713				
32	Felt Seal, Motor	O-010-9605				
33	Cord Retainer, Round <b>Type 1, 2 &amp; 3 Units Only</b>	O-010-1258				
	Cord Retainer, Square <b>Type 4, 5 &amp; 6 Units Only</b>	O-030049401				
34	Motor Assembly Kit	O-017-0020				
35	Motor Seal	O-010-7716				
36	Kit, Motor Brush (Large & Small) / Spring	O-7526301				
39	Drive Belt, (3 Pk.)	O-030-0604				
39a	Drive Belt, Single	O-010-0604				
40	Door Belt, Gray	O-7505701436				
42	Brush Roll, Plastic Pulley	O-016-1152				
43	Seal, Baseplate	O-010-7721				

## Part Numbers Listing: XL2250RS / XL2260RS cont.

Regular Bag, Lights, Foot Switch

#	Item	Order #	.			
44	Plastic Detent, (uses 2 #49 screws)	O-7529901				
45	Complete Baseplate Assembly <i>includes: #43, #46, #47, #50, #51, #52, #85, #86, #87</i>	O-097528401				
46	MICRO SWEEP Blade	O-010-8450				
47	Channel	O-013-2353				
50	Edge Brush w/Wheel, Left	O-097524902				
	Edge Brush w/Wheel, Right	O-097525002				
51	Wheel Axle	O-010-0159				
52	Soft Rear Wheel, Black	OR-7100				
60	Motor Spring	O-7528301				
61	Tube Label	O-7508705				
62	Cord Bracket	O-014-1131				
66	Bushing	75275-01				
67	Bag Dock Hinge, Type CC (use w/#4a or order #83)	O-7558201438				
	User's Manual	75416-05				
	Magnet Clean Vacuum Protector	MC4BK				
79	Stiffener (uses same length screws, notched) Stiffener, Through Bolt Connector (uses different length screws)	O-7518902 75619-01				
83	Kit, Bag Dock, <i>includes items #4a &amp; #67</i>	O-097565701				