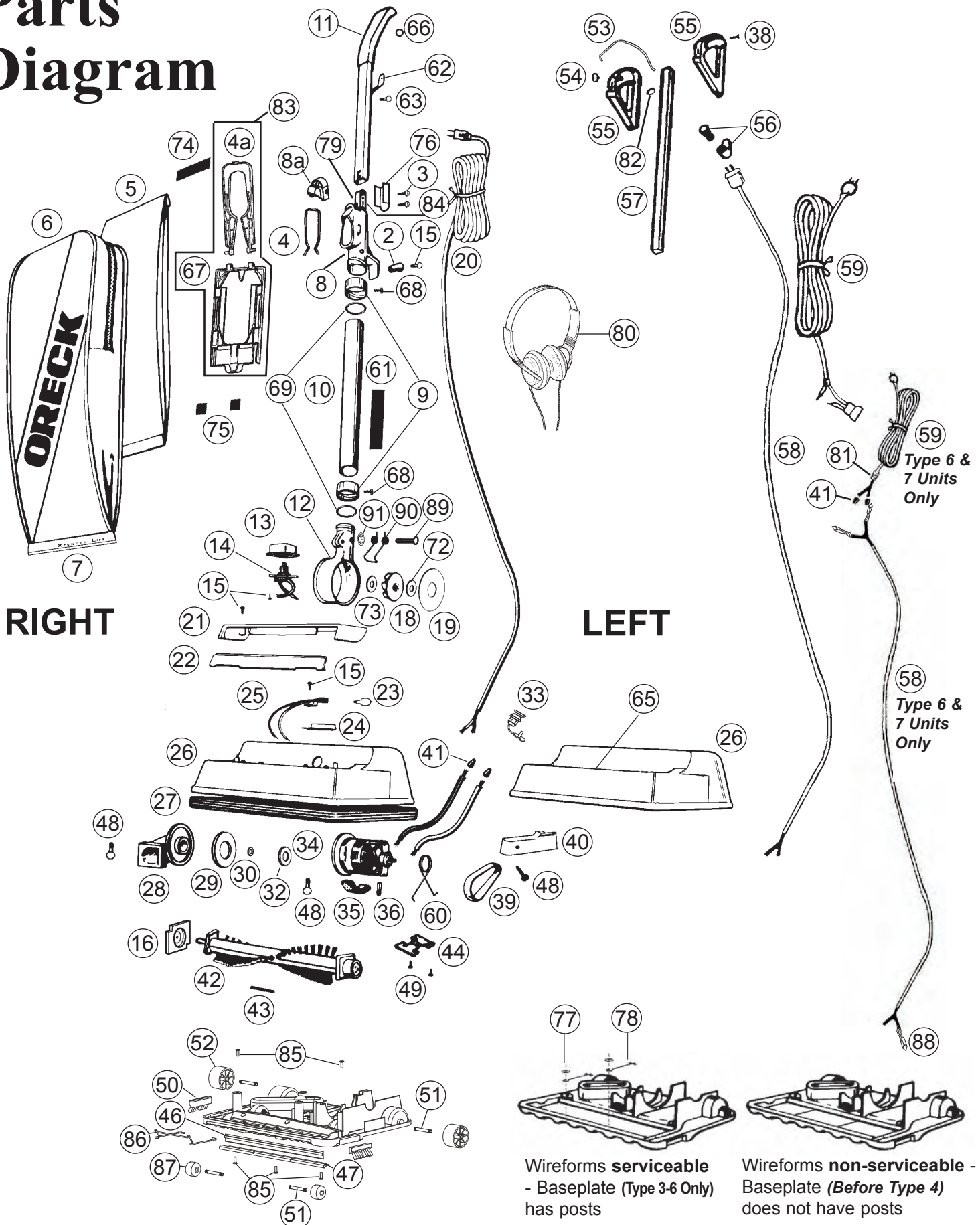


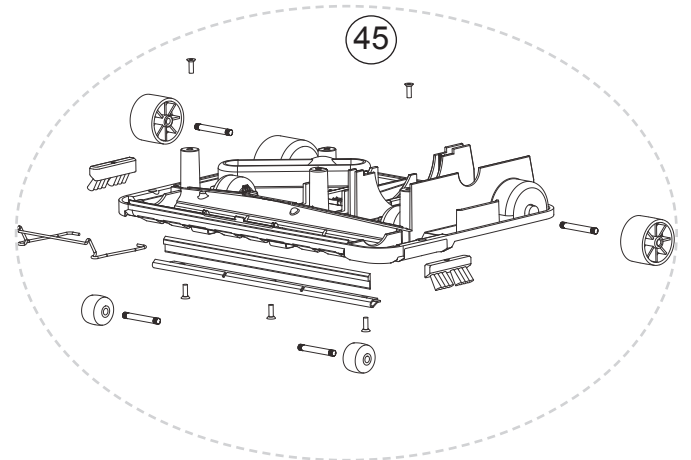
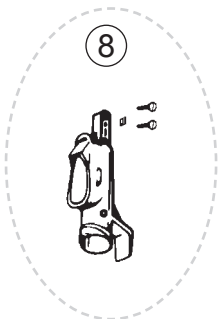
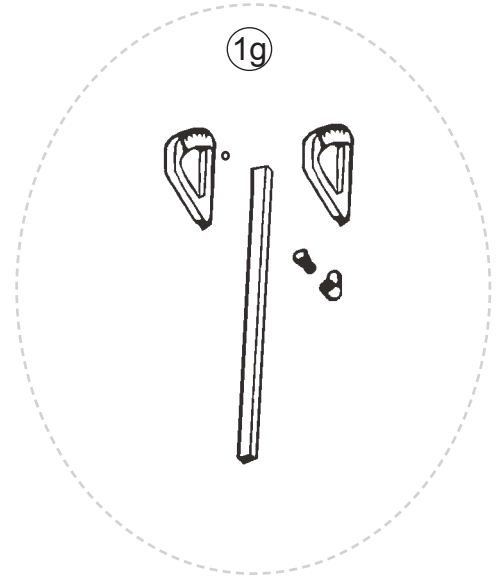
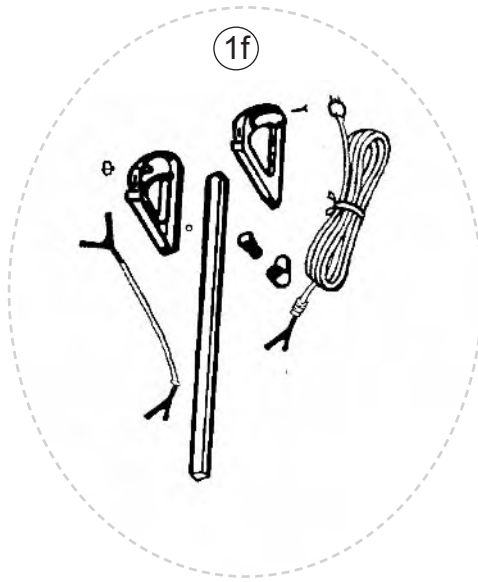
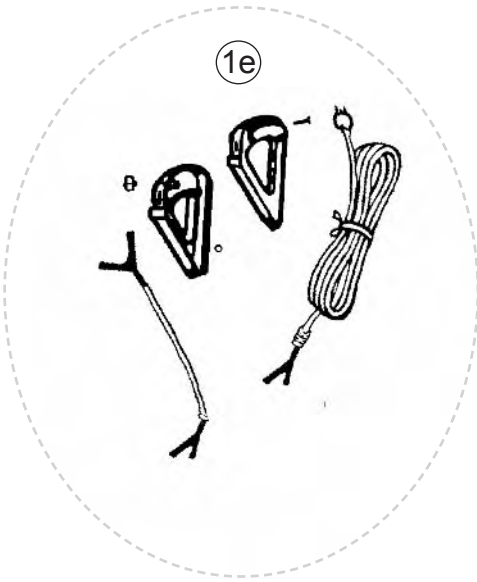
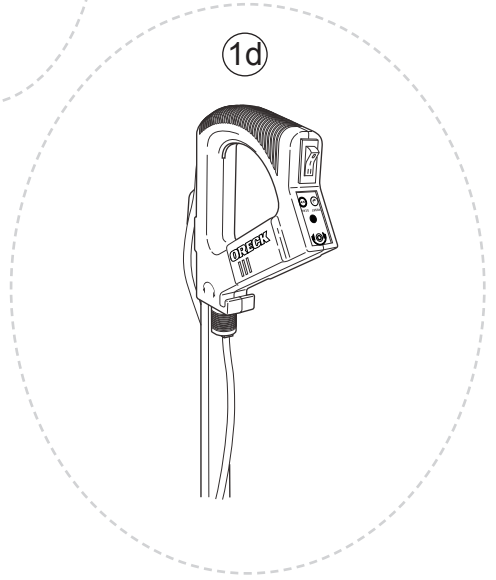
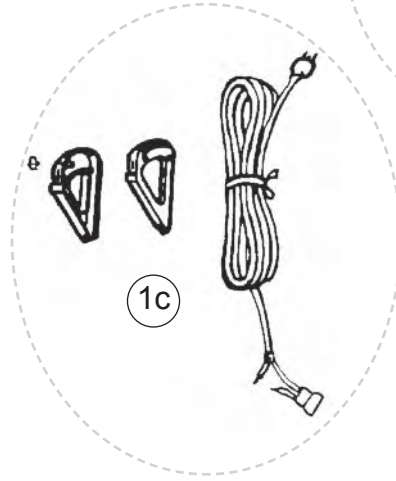
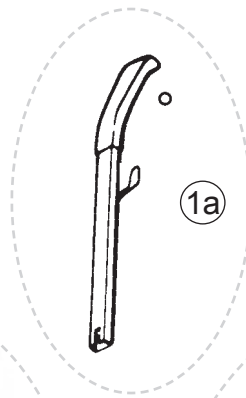
Parts Diagram

RIGHT

LEFT



Parts Assemblies



Part Numbers Listing: XL2200RS / U2200RD / XL2300RS / XL2310RS / U2310RSF / U2310RD

Regular Bag, No Lights, Foot Switch

#	Item	Order #	Qty.	Pk.
1a	XL2200RS / XL2310RS / U2310RSF: Handle Assembly	O-7521901		
	XL2300RS: Handle Assembly - Clear Tube, (Black Tube NLA)	75575-02		
1g	U2200RD: Handle Assembly, <i>includes #38, #55, #56, #57, #82</i>	09-75093-02		
	U2310RD: Handle Assembly, <i>includes #38, #55, #56, #57, #82</i>	09-75093-05		
4a	Docking Clip, Rear, Type CC (use w/#67 or order #83)	O-7558301438		
5	Dust Bag, (8 Pk.) Regular	O-20008		
	Dust Bag, (25 Pk.) Regular	O-200025		
6	XL2200RS / U2200RD / XL2300RS / XL2310RS / U2310RD / U2310RSD: Outer Bag, Dk Gray, Black, Dk Gray	O-010-0216		
	XL2310RSB: Outer Bag, Dk Gray, Blue, Buck Master	75246-33		
	U2310RSF: Outer Bag, Dk Gray, Red, USA	O-010-0216		
7	XL2200RS / U2200RD: Bag Clip, Gray	09-75078-10		
	XL2300RS: Bag Clip, Black	O-013-2460		
	XL2310RS / U2310RSF / U2310RD: Bag Clip, Navy	09-75078-15		
8	Connector Assembly Kit, <i>includes items #3 & #84</i>	O-097530857		
8a	Deflector, Black, Snap Type 1 & 2 Units Only	75220-01-0327		
9	Collar	O-013-3051		
10	Tube Assembly Type 1, 2, 3 & 4 Units Only	O-7518801		
	Tube Assembly Type 5, 6 & 7 Units Only	O-7519805		
11	XL2200RS / XL2310RS: Grip, Handle, White	O-010-4173		
	XL2300RS / U2310RSF: Grip, Handle, Black	O-752-7202		
12	Fan Housing Assembly <i>includes Rivet & Spring</i>	O-097534302		
13	Switch Cover	O-097526601		
14	Switch Assembly	O-010-8823		
16	End Cap	O-0134623		
18	METAXALLOY™ Fan Kit w/Washers	O-097530001		
19	Fan Seal Cup	O-013-7714		
20	XL2200RS / U2200RD / XL2310RS / U2310RSF: Cord Set	O-010-2802		
	XL2300RS: Cord Set	O-7507902		
26	XL2200RS / U2200RD: Housing, Gray w/Label	09-75430-01		
	XL2300RS: Housing, Black w/Label	09-75430-02		
	XL2310RS / U2310RSF / U2310RD: Housing, Navy w/Label	O-097542613		
27	Bumper, White	O-014-0359		
28	Intake Pivot Assembly <i>with Felt Seal</i>	09-75066-02		
29	Felt Seal	O-010-7713		
32	Felt Seal, Motor	O-010-9605		
33	XL2200RS: Cord Retainer, Round Type 1, 2 & 3 Units Only	O-010-1258		
	XL2300RS: Cord Retainer, Round Type 1, 2 & 3 Units Only	O-030045502		
	Cord Retainer, Square Type 4, 5, 6 & 7 Units Only	O-030049401		
34	Motor, Assembly Kit	O-017-0020		

Part Numbers Listing: XL2200RS / U2200RD / XL2300RS / XL2310RS / U2310RSF / U2310RD cont.

Regular Bag, No Lights, Foot Switch

#	Item	Order #				
35	Motor Seal	O-010-7716				
36	Kit, Motor Brush (Large & Small) / Spring	O-7526301				
39	Drive Belt, (3 Pk.)	O-030-0604				
39a	Drive Belt, Single	O-010-0604				
40	XL2200RS / U2200RD: Door Belt, Gray	O-7505701436				
	XL2300RS: Door Belt, Black	O-7505701327				
	XL2310RS / U2310RSF / U2310RD: Door Belt, Navy	O-75057010432				
42	Brush Roll, Plastic Pulley	O-016-1152				
43	Seal, Baseplate	O-010-7721				
44	Plastic Detent, (uses 2 #49 screws)	O-7529901				
45	Complete Baseplate Assembly <i>includes: #43, #46, #47, #50, #51, #52, #85, #86, #87</i>	O-097528401				
46	MICRO SWEEP Blade Type 1-6 Units Only	O-010-8450				
	MICRO SWEEP Blade Type 7 Units Only	O-7570002				
47	Channel Type 1-6 Units Only	O-013-2353				
	Channel Type 7 Units Only	O-7570101				
50	Edge Brush w/Wheels, Left Type 1-6 Units Only	O-097524902				
	Edge Brush w/Wheels, Right Type 1-6 Units Only	O-097525002				
	Edge Brush w/o Wheels, Left & Right	75766-02				
51	Wheel Axle	O-010-0159				
52	Soft Rear Wheel, Black	OR-7000				
55	U2200RD: Grips, Lt. Gray, No Switch	09-75301-24				
	U2310RD: Grips, Navy, No Switch	09-75301-26				
56	U2200RD / U2310RD: Cord Wrap Assy, <i>includes Post & Cord Wrap</i>	O-097518501				
57	U2200RD / U2310RD: Handle Tube, Chrome	O-7519001				
60	Motor Spring	O-7528301				
61	Tube Label	O-7508705				
62	Cord Bracket	O-014-1131				
65	"Oreck" Name Plate Label	75599-03				
66	Bushing	75275-01				
67	Bag Dock Hinge, Type CC (use w/#4a or order #83)	O-7558201438				
	User's Manual	75416-05				
	Vacuum Cleaner Cover	VACCOVER		NLA	NLA	NLA
	Magnet Clean Vacuum Protector	MC4BK				
79	Stiffener (uses same length screws, notched)	O-7518902				
	Stiffener, Through Bolt Connector (uses different length screws)	75619-01				
83	Kit, Bag Dock, <i>includes items #4a & #67</i>	O-097565701				
87	Front Wheel Type 7 Units Only	O-7570901				

*Type 7 Units