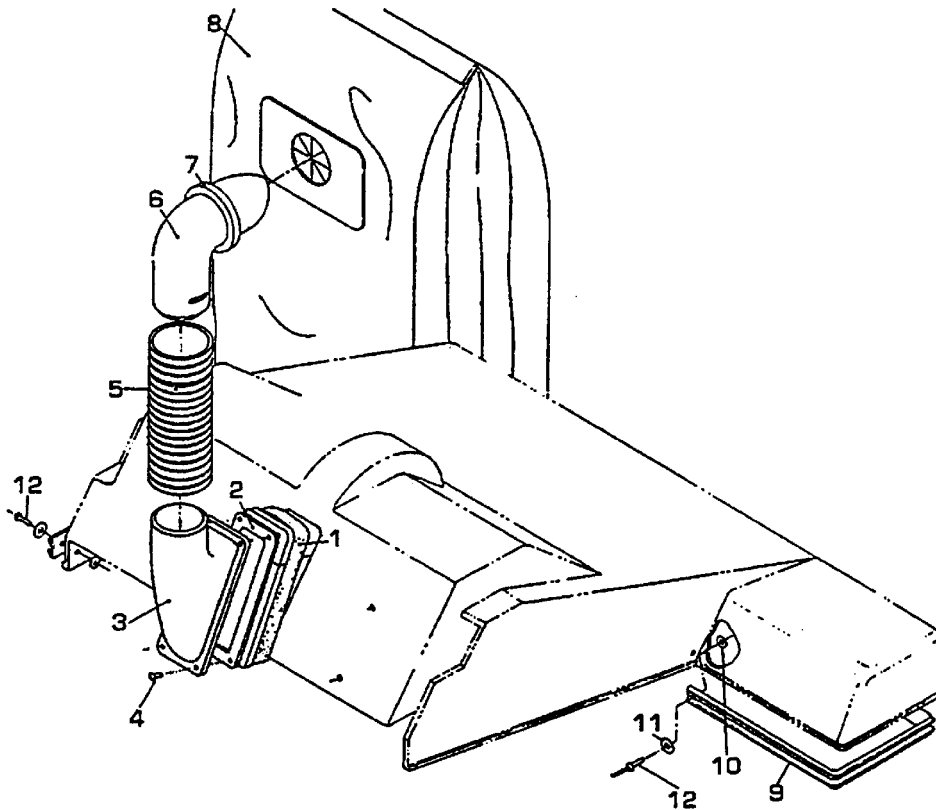


Part Numbers Listing: Bag Adapter & Bumper

#	Item	Order #	Qty.	Pk.			
1	Gasket	381551	1	1			
2	Gasket	385492	1	1			
3	Housing Adapter	385468	1	1			
4	Screw, 10 x 5/8" Hi-Lo	306606	4	1			
5	Vacuum Hose	321036	1	1			
6	Bag Adapter	384674	1	1			
7	Circle Gasket	385956	1	1			
8	Disposable Paper Bag	332844	1	5			
9	20" Bumper	357189	1	1			
	24" Bumper	324388	1	1			
	28" Bumper	324418	1	1			
10	Flat Burr Washer	322164	2	1			
11	Burr Washer	369519	4	1			
12	Pop Rivet	374733	2	1			

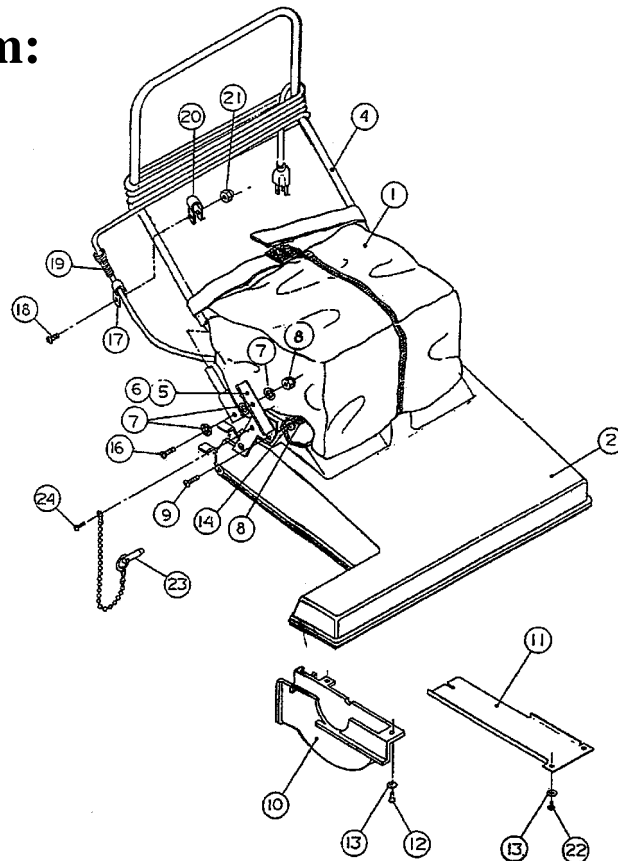
Parts Diagram



Part Numbers Listing: Housing, Bag & Handle Assembly

#	Item	Order #	Qty.	Pk.			
1	Cloth Filter Bag	387428	1	1			
2	SV200 20" Housing	381926	1	1			
	SV240 24" Housing	396036	1	1			
	SV280 28" Housing	396044	1	1			
	SVG201 20" Housing	317667	1	1			
	SVG241 24" Housing	314617	1	1			
	SVG281 28" Housing	396044	1	1			
4	Push Handle	318523	1	1			
5	Right Handle Bracket	315583	1	1			
6	Left Handle Bracket	315591	1	1			
7	Flat Brass Washer	380679	6	1			
8	Nut, 1/4-20 Nylon	380784	6	1			
9	Screw, 1/4-20 x 7/8	318884	4	1			
10	Fan Cover	392561	1	1			
11	Intake Cover	381268	1	1			
12	Screw, 8-32 x 1/4	380598	2	1			
13	Washer, Lock #8 Internal Tooth	380709	10	1			
14	Washer, Flat	380652	18	1			
16	Screw, 1/4-20 x 3/4	342831	2	1			
17	Clamp	381055	1	1			
18	Screw, 1/4-20 x 5/8	380636	4	1			
19	Spring, 2 3/4 x 3/4	381160	1	1			
20	Clip, 7/8" w/ Vinyl	318922	1	1			
21	Nut, Cap 1/4-20	321028	1	1			
22	Screw, 8-32 x 3/8	380601	3	1			
23	Speed Pin Assembly	321001	1	1			
24	Screw, 10-24 x 1/2" Self Tap	385379	1	1			

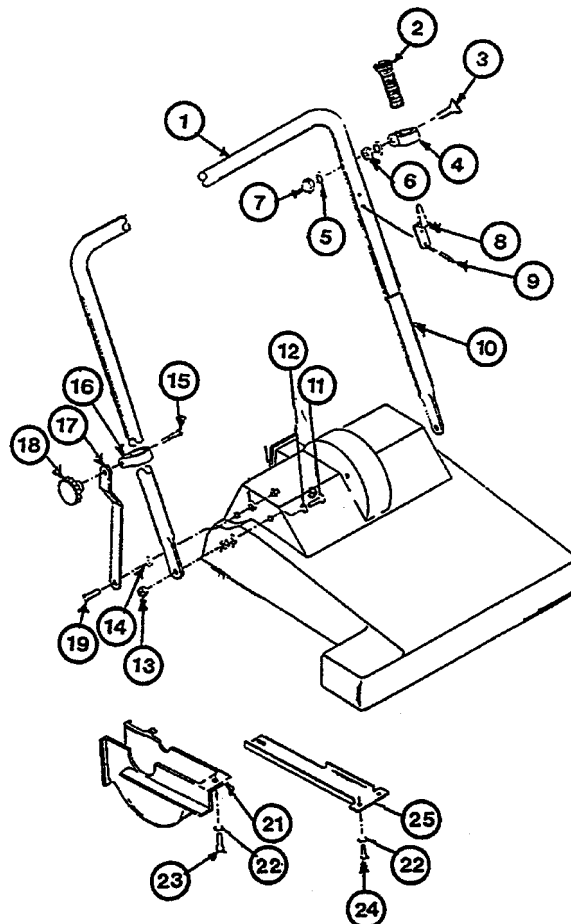
Parts Diagram:



Part Numbers Listing: Handle & Fan Cover Assembly

(Pre 1992 Sweeper Vac Models)

#	Item	Order #	Qty.	Pk.			
1	Curved Handle Section UNIT MUST HAVE LEFT & RIGHT BRACKETS	318523	1	1			
	Curved Handle Section UNIT DOESNT HAVE LEFT & RIGHT BRACKETS	382930	1	1			
2	Spring, 2 3/4 x 3/4	381160	1	1			
3	Screw, 1/4-20 x 1 1/4"	381977	1	1			
4	Clamp	381055	1	1			
5	Washer, Lock Internal Tooth	380695	2	1			
6	Nut, Hex 1/4-20	380881	1	1			
7	Nut, Cap 1/4-20	321028	1	1			
8	Cord Bracket	381152	2	1			
9	Rivet	381047	4	1			
10	Straight Handle Section	394653	2	1			
11	Screw, 1/4-20 x 1	387177	2	1			
12	Washer, Lock External Tooth	380687	2	1			
13	Nut, 1/4-20 Nylon	380784	4	1			
14	Washer, Flat	380652	6	1			
15	Bolt, 5/16-18 x 1 1/2	380989	2	1			
16	Clamp	387118	2	1			
17	Handle Brace	381314	2	1			
18	Knob	381861	2	1			
19	Screw, 1/4-20 x 7/8"	318884	2	1			
20	Nut, Jam 1/4-20	381993	2	1			
21	Fan Cover	392561	1	1			
22	Washer, Lock #8 Internal Tooth	380709	5	1			
23	Screw, 8-32 x 1/2" Screw	380598	2	1			
24	Screw, 8-32 x 3/8"	380601	2	1			
25	Intake Cover	381268	1	1			



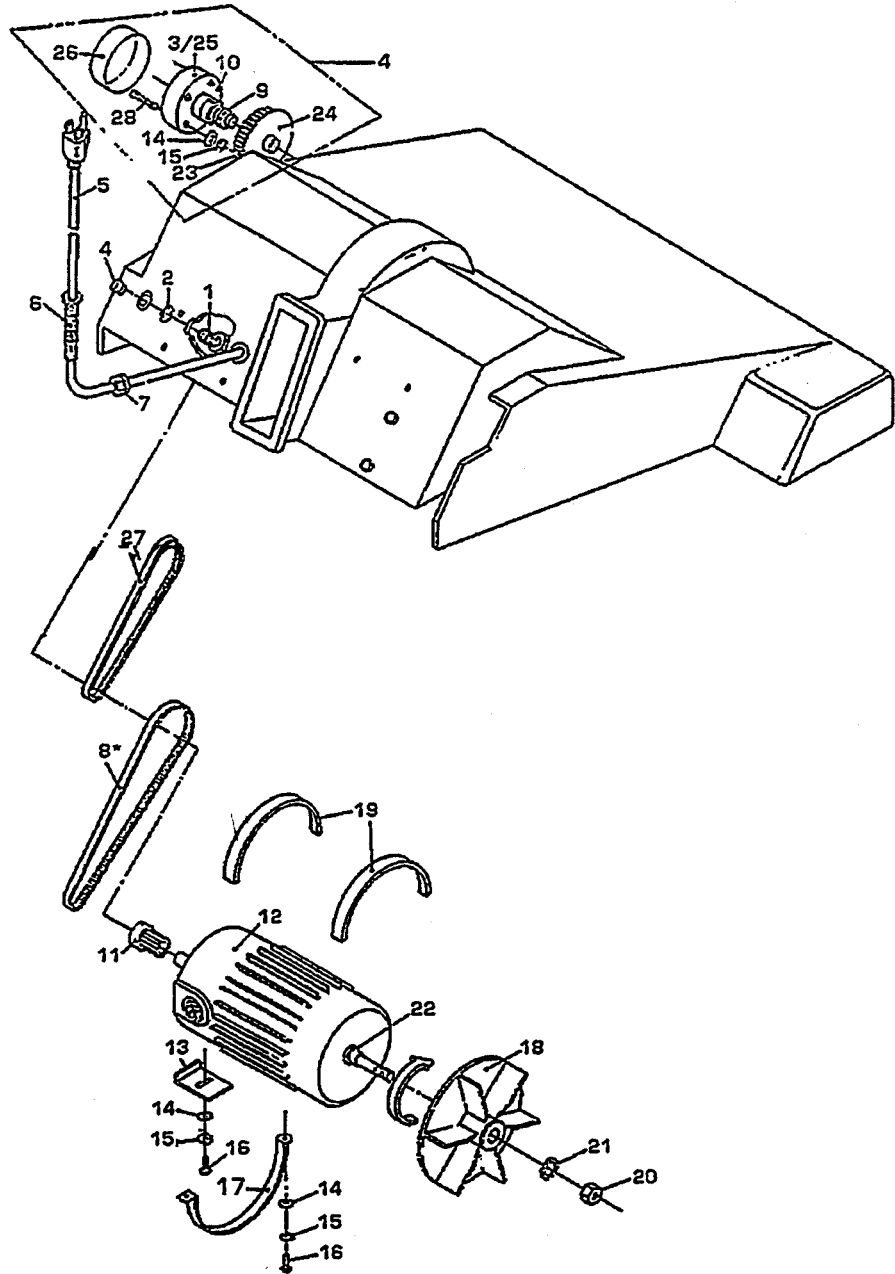
Parts Diagram:

Part Numbers Listing: Motor & Brush Drive Assembly

#	Item	Order #	Qty.	Pk.			
1	Switch w/Terminal	381012	1	1			
2	Steel Spacer	381853	1	1			
3*	Ball Bearings	315680	2	1			
4	Switch Button Cover	381039	1	1			
5	16/3-60' Line Cord	381896	1	1			
6	Spring, 2 3/4 x 3/4	381160	1	1			
7	Strain Relief	381063	1	1			
8*	Timing Belt	315605	1	1			
9*	Pulley Motor Drive	381209	1	1			
10*	Screw, Set #10-24 x 1/4"	380644	2	1			
11	SV Series Motor Pulley	381209	1	1			
	SVG Series Motor Pulley	315621	1	1			
12	Motor, 115 Volt	381950	1	1			
13	Motor Clamp Bracket	381578	2	1			
14*	Washer, Flat 1/4"	380652	8	1			
15*	Washer, Lock 1/4"	342858	4	1			
16	Screw, 1/4-20 x 5/8"	380636	4	1			
17	Motor Clamp	381403	1	1			
18	Fan Motor	381918	1	1			
19	6" Strip Gasket	381640	2	1			
20	Nut, Hex 1/2-20	380776	1	1			
21	Washer, Steel	381780	1	1			
22	Motor Seal "V-Ring"	380563	1	1			
23*	Nut, 1/4-20 Nylon	380784	4	1			
24*	Timing Belt Pulley	315664	1	1			
25*	Bearing Housing	315389	1	1			
26*	Vinyl Cap	317152	1	1			
27	SV Series Poly V Belt	381071	1	1			
	SVG Series Poly V Belt	315613	1	1			
28*	Screw, 1/4-20 x 1 1/2"	318914	4	1			
*	Keeper Ring	315702	1	1			
*	Jack Shaft	315397	1	1			
*	Jack Shaft Assembly	316903	1	1			
*	Jack Shaft Assembly w/Pulley	344672	1	1			

*SVG Vacuums Only

Parts Diagram:



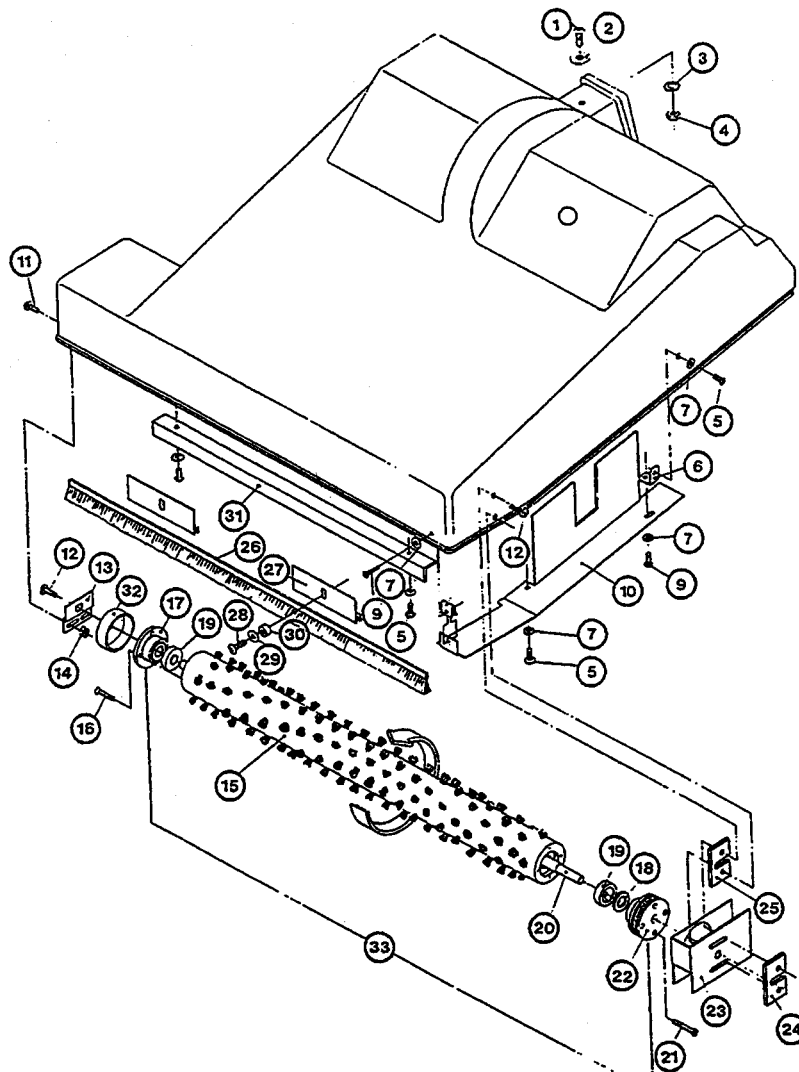
Part Numbers Listing: Brush & Body Assembly

#	Item	Order #	Qty.	Pk.			
1	Screw, 1/4-20 x 3/4	342831	1	1			
2	Washer, Flat 1/4"	380652	1	1			
3	Washer, Lock 1/4"	342858	1	1			
4	Nut, Hex 1/4-20	380881	4	1			
5	Screw, #8-18 x 5/8	381799	2	1			
6	Tinnerman	381616	1	1			
7	Washer, Lock Internal Tooth #8	380709	6	1			
8	Tinnerman	380873	1	1			
9	Screw, 8-18 x 5/8	381799	3	1			
10	SV Series Belt Guard	381365	1	1			
	SVG Series Belt Guard	316881	1	1			
11	Screw, 10-24 x 1/2	380938	2	1			
12	Screw, 10-24 x 5/8	380997	8	1			
13	Brush Bracket	381233	1	1			
14	Nut, Hex 10-24	381004	2	1			
15	SV200 20" Brush	381497	1	1			
	SV240 24" Brush	381330	1	1			
	SV280 28" Brush	388580	1	1			
	SVG201 20" Brush	320420	1	1			
	SVG241 24" Brush	320447	1	1			
	SVG281 28" Brush	320455	1	1			
16	Screw, 8-18 x 1" Hi-Lo	388629	4	1			
17	Brush Cap	381225	1	1			
18	Felt Washer	381187	1	1			
19	Double Seal Bearing	380849	1	1			
20	20" Brush Shaft	381462	1	1			
	24" Brush Shaft	381276	1	1			
	28" Brush Shaft	381470	1	1			
21	Screw, 8-18 x 1 1/4" Hi-Lo	388637	4	1			
22	Brush Pulley	381217	1	1			
23	Dust Guard	381446	1	1			
24	Reinforcing Plate	381500	1	1			
25	Nut Plate	381411	1	1			
26	20" Brush Strip	318493	1	1			
	24" Brush Strip	318507	1	1			
	28" Brush Strip	318515	1	1			
27	Brush Strip Holder	317144	2	1			
28	Screw, #10-24 x 1/2", Self-Tapping	385379	2	1			
29	Burr Washer	369519	4	1			
30	Washer, Flat Nylon	361054	2	1			
31	Baffle	381306	1	1			
32	Thread Guard	381527	1	1			

Part Numbers Listing: Brush & Body Assembly Cont'd

#	Item	Order #	Qty.	Pk.			
33	SV200 20" Brush Assembly	382310	1	1			
	SV240 24" Brush Assembly	382329	1	1			
	SV280 28" Brush Assembly	382337	1	1			
	SVG201 20" Brush Assembly	321095	1	1			
	SVG241 24" Brush Assembly	321052	1	1			
	SVG281 28" Brush Assembly	382337	1	1			
	20" Foot Nozzle Baffle Strip	317160	1	1			
	24" Foot Nozzle Baffle Strip	315419	1	1			
	28" Foot Nozzle Baffle Strip	317195	1	1			

Parts Diagram:



Part Numbers Listing: Chassis Assembly

#	Item	Order #	Qty.	Pk.			
1	Frame Assembly	381357	1	1			
2	Linkage Assembly	381349	1	1			
3	Ground Lead w/Terminals	383031	1	1			
4	Bolt, 3/14 Carriage	381748	1	1			
5	Collar w/ Set Screw	382035	2	1			
6	Wheel, 6" x 1 1/4"	381594	2	1			
7	Washer, Flat	315435	6	1			
8	Left Wheel Bracket	381292	1	1			
9	Nut, Lock 5/16-18	380792	2	1			
10	Ratchet Plate	381179	1	1			
11	Washer, Flat Brass	380679	1	1			
12	Retaining Ring	381020	1	1			
13	Height Adjustment Pedal	381322	1	1			
14	Screw, 1/4-20 x 3/8	380903	2	1			
15	Washer, Lock w/Internal Tooth	380695	8	1			
16	Adjustment Pedal Spring	382043	1	1			
17	Nut, 3/8-16	380741	2	1			
18	1 1/4" Swivel Caster	381098	2	1			
19	Screw, 1/4-20 x 7/8	380857	5	1			
20	Washer, Lock 3/8"	393185	2	1			
21	Washer, Flat 1/4"	380652	18	1			
22	4" Spring Tube	381756	1	1			
23	Washer, Lock 1/4"	342858	4	1			
24	Nut, Hex 1/4-20	380881	3	1			
25	Cover Assembly	381381	3	1			
26	3' Bumper	381438	1	1			
27	Screw, 10-5/8" Hi-Lo	306606	9	1			
28	Retainer Link	381241	1	1			
29	Bolt, 4 1/4" Carriage	381721	1	1			
30	Right Wheel Bracket	381284	1	1			
31	Screw, 6-32 x 3/8	377155	2	1			
32	Nut, Hex 6-32	377171	2	1			

Parts Diagram:

