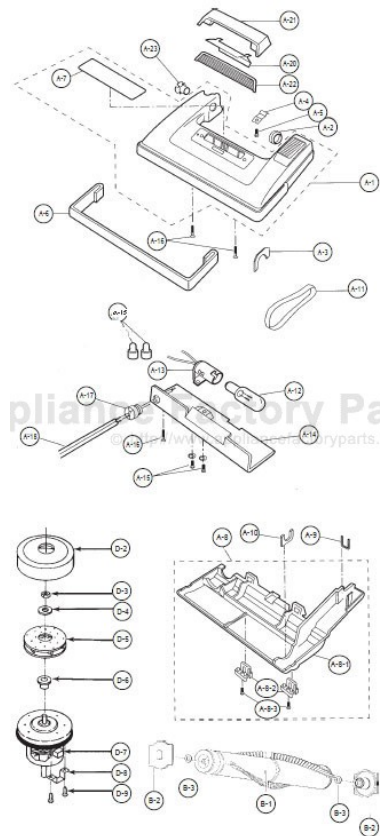


This Owner's Manual is provided and hosted by Appliance Factory Parts.



PANASONIC MC-5140 Owner's Manual

[Shop genuine replacement parts for PANASONIC
MC-5140](#)



[Find Your PANASONIC Vacuum Cleaner Parts - Select From 665 Models](#)

----- Manual continues below part list -----

Available Replacement Parts for PANASONIC MC-5140

| | |
|-------------------------|------------------------------|
| P-77020 | Screw. |
| PR-1015 | BELT, FLAT, UPRIGHTS, 1 PACK |
| PR-1016 | BELT, PANASONIC (2 PACK) |

Original & Replacement

PANASONIC

Model 5117, 5140, 5150, 5155

PARTS LISTING (NOZZLE HOUSING)

| KEY | PART NO. | DESCRIPTION |
|-------|----------------|--------------------------------------|
| A-1 | NLA | Nozzle Housing, 5117 |
| A-1 | P-73033 | Nozzle Housing, 5140 |
| A-1 | NLA | Nozzle Housing, 5150 |
| A-1 | NLA | Nozzle Housing, 5155 |
| A-2 | P-73905 | Plastic Holder |
| A-3 | P-76425 | Tight Packing |
| A-4 | P-77205 | Pedal Spring |
| A-5 | P-77020 | Screw |
| A-6 | NLA | Bumper Order P-74018 |
| A-6 | NLA | Bumper Order P-74018 |
| A-6 | P-74018 | Furniture Guard, 5140, 5155 |
| A-7 | P-02T-9H00U | Top Mark, 5117 |
| A-7 | P-02T-ZS00U | Top Mark, 5140 |
| A-7 | P-02T-ZT10U | Top Mark, 5150 |
| A-7 | P-02T-ZR00U | Top Mark, 5155 |
| A-8 | P-76015 | Lower Plate (Unit) |
| A-8-1 | P-27AZSZKU13 | Lower Plate (Only) |
| A-8-1 | PR-7600 | Bottom Plate, Plastic W/Latch |
| A-8-2 | P-76940 | Latch |
| A-8-2 | PR-7601 | Bottom Plate Clip, Plastic |
| A-8-3 | P-77020 | Screw |
| A-9 | P-76315 | Belt Cover |
| A-10 | P-76740 | Body Packing |
| A-11 | P-MC210B | Belt |
| A-11 | PR-1015 | Belt, UB Style |
| A-12 | FA-3500 | Bulb, 25 Watt 5155 |
| A-13 | P-93H-F800V | Lamp Holder, 5155 |
| A-14 | P-85H-V20 | Bulb Supporter, 5155 |
| A-15 | P-XYN3+C6S | Screw, 5155 |
| A-16 | P-77020 | Screw, 5155 |
| A-17 | P-58E-V30 | Wire Bushing, 5155 |
| A-18 | P-38G-V200U | Wire Cord (Lead Wire Black 5155) |
| A-19 | SS-3270 | Wire Connector 5155 |
| A-20 | P-84H-V20 | Reflection Plate, 5155 |
| A-21 | P-86H2F1KU09 | Reflection Plate Supporter, 5155 |
| A-22 | P-21H-V20 | Window, 5155 |
| A-23 | P-73900 | Plastic Shaft |

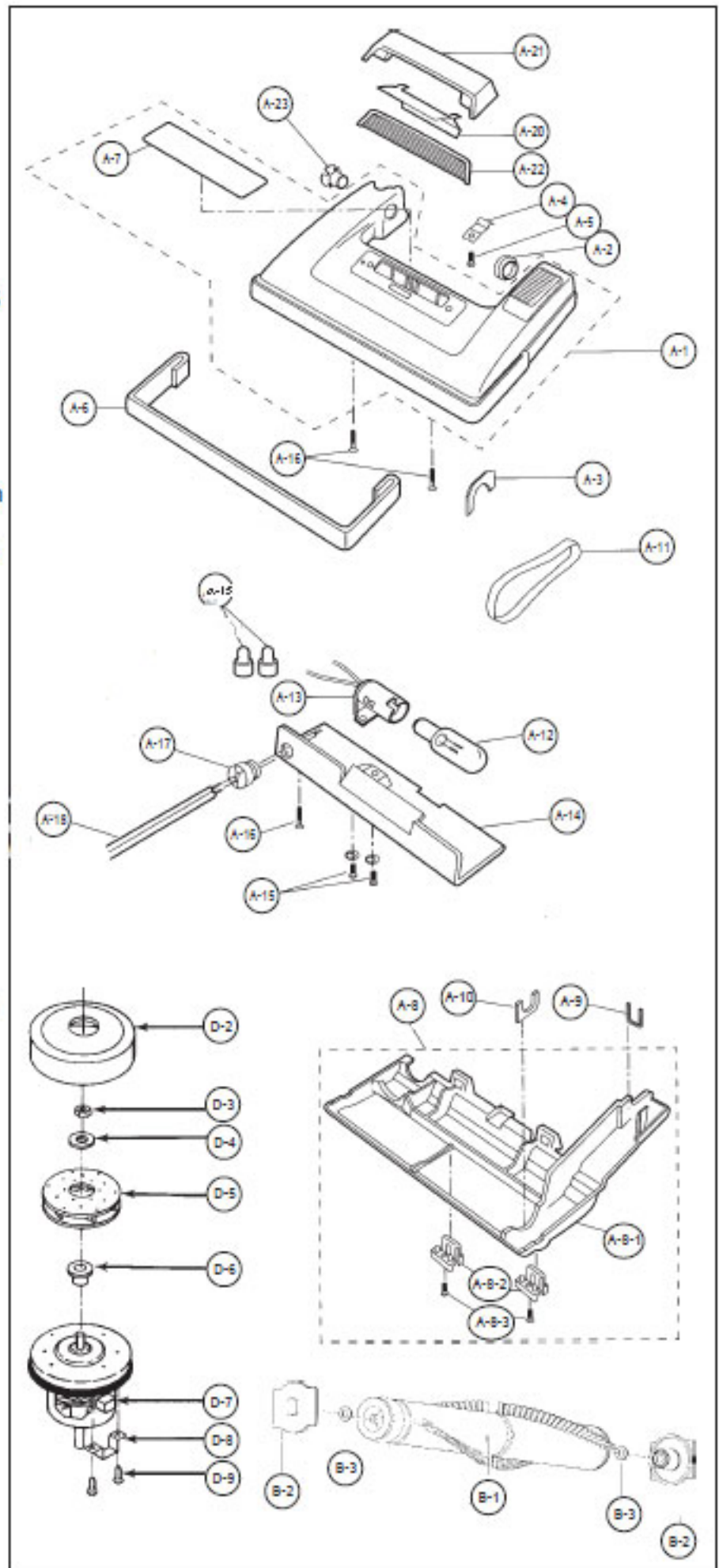
PARTS LIST (AGITATOR ASSEMBLY)

| KEY | PART NO. | DESCRIPTION |
|-----|----------|---------------------|
| B-1 | P-20020 | Agitator Unit, Wood |
| B-2 | P-20525 | End Cap "A" |
| B-3 | P-681424 | Washer |

See Page 27-10 Key# B-1B for 5117 Brushroll

PARTS LIST (FAN REPLACEMENT)

| KEY | PART NO. | DESCRIPTION |
|-----|-------------|----------------|
| D-2 | P-53F-AV00U | Fan Case |
| D-3 | P-33F-AC00U | Nut |
| D-4 | P-62F-AV00U | Washer |
| D-5 | P-28525 | Fan |
| D-6 | P-60F-AV00U | Spacer |
| D-7 | P-63050 | Brush Assembly |
| D-8 | P-02D-V300U | Bracket |
| D-9 | P-40D-V300U | Screw |



NLA = No Longer Available