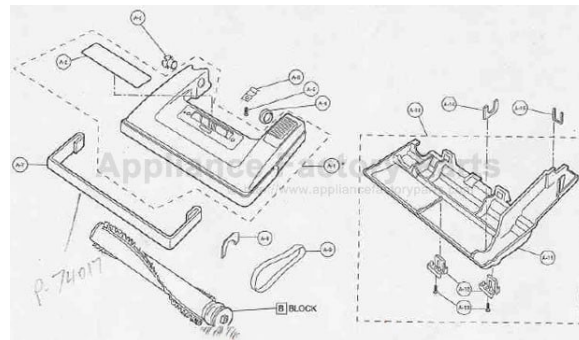


This Owner's Manual is provided and hosted by Appliance Factory Parts.



PANASONIC MC-5167 Owner's Manual

[Shop genuine replacement parts for PANASONIC
MC-5167](#)



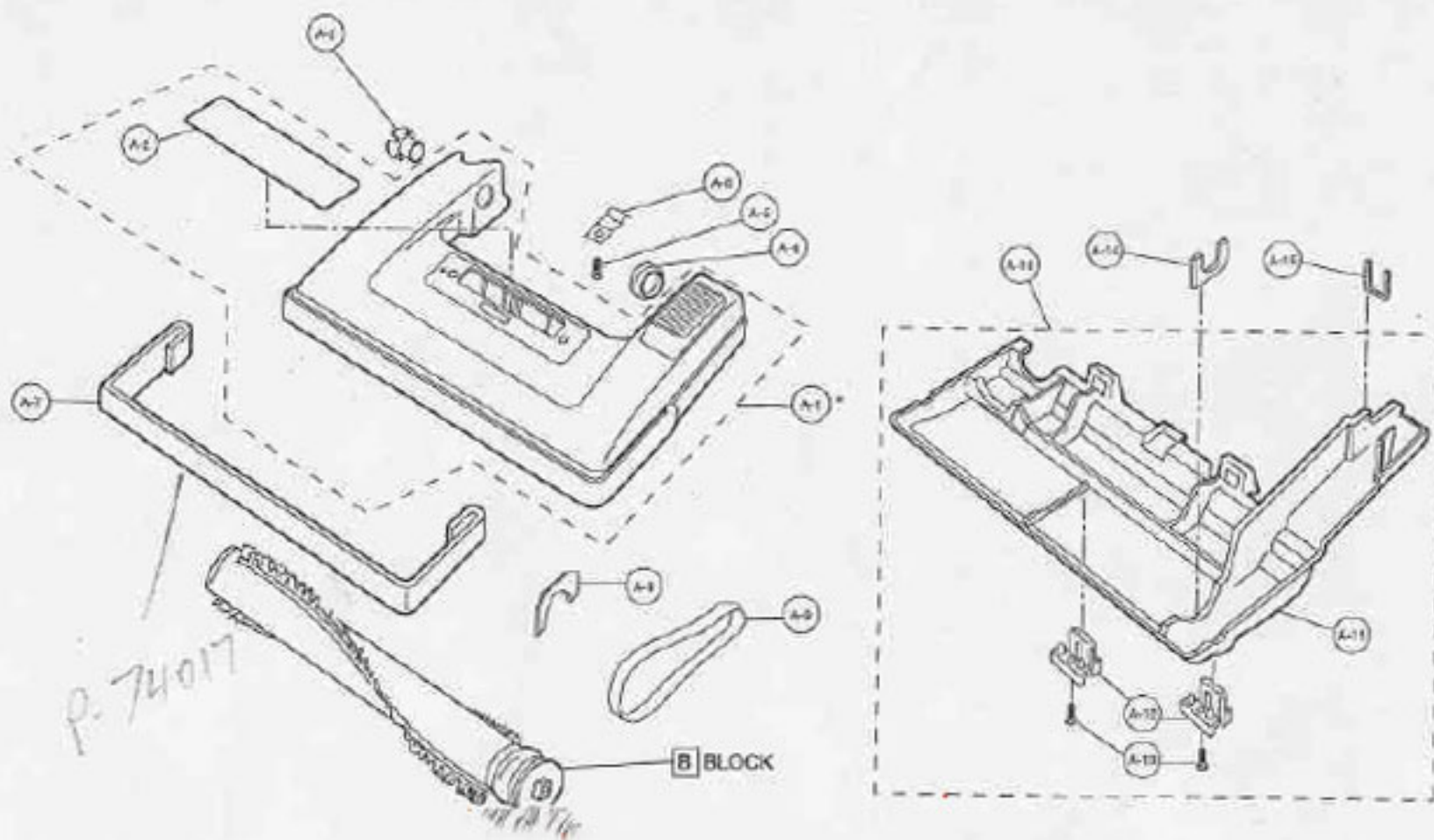
[Find Your PANASONIC Vacuum Cleaner Parts - Select From 665 Models](#)

----- Manual continues below part list -----

Available Replacement Parts for PANASONIC MC-5167

PR-1010	BELT, UB8
AMC01C-V00U	Roller (Wheel).
MC-115PT	BAG PANAZONIC 12 PACK GENUINE
PR-1016	BELT, PANASONIC (2 PACK)
AMC32K-V00	SUPPORT, FILTER

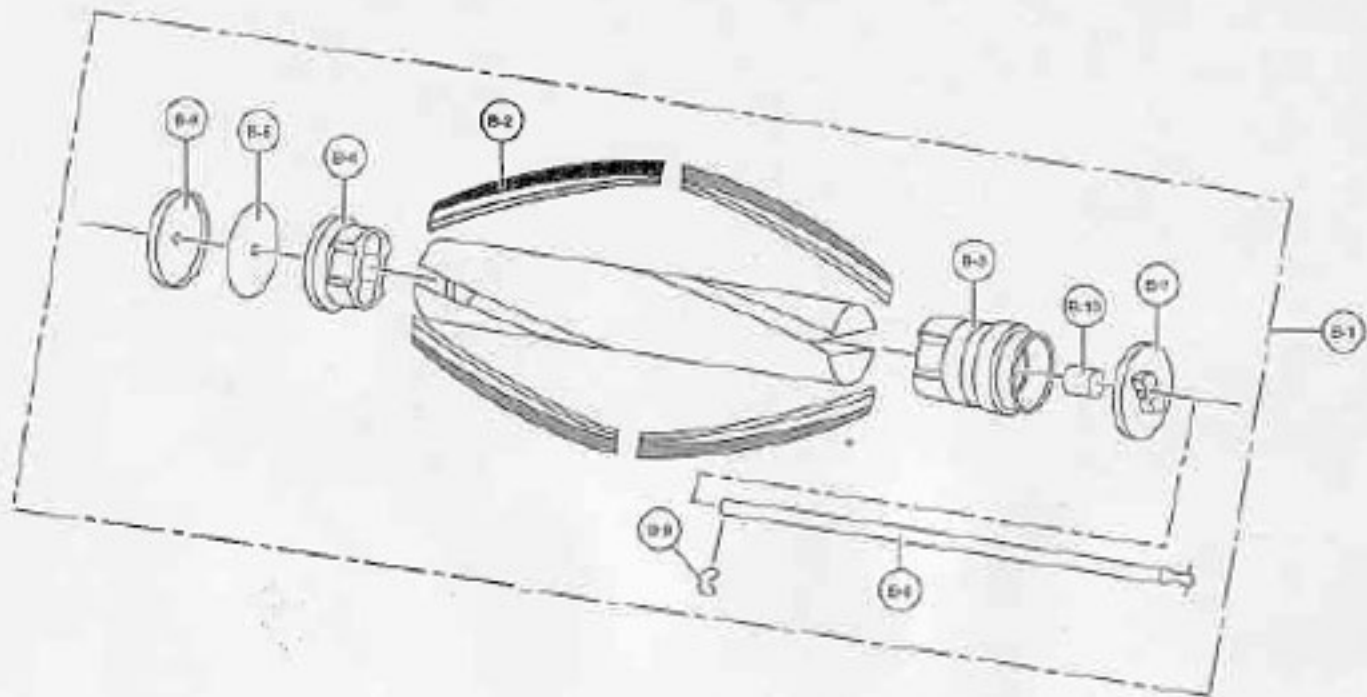
■ EXPLODED VIEW (NOZZLE HOUSING)... [A] BLOCK



■ PARTS LIST (NOZZLE HOUSING)... [A] BLOCK

Ref. No.	Part Name & Description	Part No.	Quantity	Remarks
A-1	Nozzle Housing	AMC01A-XZZG004	1	
A-2	Top Mark	AMC02T-XZZ0U00	1	
A-3	Plastic Shaft	AMC25S-V00	1	
A-4	Plastic Holder	AMC78N-V00	1	
A-5	Screw	XTN4+16BFY	1	
A-6	Pedal Spring	AMC57A-V00	1	
A-7	Furniture Guard	AMC10A-V007	1	
A-8	Tight Packing	AMC81A-V00	1	
A-9	Belt	AMC28S-F7Z	1	
A-10	Lower Plate (Unit)	AMC91A-V00JU	1	
A-11	Lower Plate	AMC27A-V10JU	1	
A-12	Latch	AMC08D-V01J	2	
A-13	Screw	XTN4+16BFY	2	
A-14	Body Packing	AMC75A-V00	1	
A-15	Belt Cover	AMC43S-V00	1	

■ EXPLODED VIEW (AGITATOR ASSEMBLY)... [B] BLOCK



■ PARTS LIST (AGITATOR ASSEMBLY) B BLOCK

Ref. No.	Part Name & Description	Part No.	Quantity	Remarks
B - 1	Agitator Assembly	AMC92S-V1Ø	1	
B - 2	Brush (4 Pcs)	AMC85R-V1ØØ4	1	
B - 3	Agitator Pulley	AMC78N-V1Ø	1	
B - 4	Agitator Holder	AMC88S-VØØ	1	
B - 5	Filter	AMC90K-VØØ	1	
B - 6	End Cap (Right)	AMC96D-VØØ	1	
B - 7	End Cap (Left)	AMC97D-VØØ	1	
B - 8	Agitator Shaft	AMC57R-VØØ	1	
B - 9	E-Clip	XUC4FY	1	
B - 10	Spacer	AMC74S-VØØ	1	

■ PARTS LIST (MOTOR HOUSING, MOTOR, HANDLE, BODY)... [C] BLOCK

Ref. No.	Part Name & Description	Part No.	Quantity	Remarks
C - 1	Dust Compartment	AMC40K-V02G004	1	
C - 2	On/Off Switch	AMC98E-V000U	1	
C - 3	Cord Stopper	AMC62E-J20	1	
C - 4	Screw	XTN4+16BFY	2	
C - 5	Power Cord	AMC97E-ZRZVU00	1	
C - 6	Wire Connector	1CTCE23	5	
C - 7	Rubber Gasket	AMC66K-V01KU12	2	
C - 8	Switch Cover	AMC03E-V02G004	1	
C - 9	Switch Cover Packing	AMC73K-V02KU12	1	
C - 10	Screw	XTN4+16BFY	2	
C - 11	Handle Screw	AMC73B-V00	1	
C - 12	Nut	AMP21B-170	1	
C - 13	Filter Supporter	AMC32K-V00	1	
C - 14	Secondary Filter	AMC37K-V00	1	
C - 15	Roller (Wheel)	AMC01C-V00U	2	
C - 16	Roller Shaft	AMC16C-V00	1	
C - 17	E-Clip	XUC5FY	2	
C - 18	Dust Bag (Paper)	AMC93K-AV0	1	
C - 19	Suction Inlet	AMC60H-F72G004	1	
C - 20	Cover	AMC02H-F71G004	1	
C - 21	Screw	XTN4+16BFY	2	
C - 22	Motor Case	AMC09F-V02G004	1	
C - 23	Rear Cover Packing	AMC02L-V00	1	
C - 24	Motor Case Packing	AMC 19E-V02K012	1	
C - 25	Screw	AMC69K-D20	4	
C - 26	Protector	AMC69K-D20	1	
C - 27	Protector Spring	AMC70K-V00	1	
C - 28	Protector Case	AMC68K-D20	1	
C - 29	Protector Supporter	AMC18M-D20	1	
C - 30	Vac Gauge Plate	AMC11M-XZZ0U00	1	
C - 31	Fan Motor Unit	AMC92F-V050U	1	
C - 32	Carbon Brush Set (2 Pos)	AMC27F-AV00U	1	
C - 33	Bracket (Brushes)	AMC02D-V300U	2	
C - 34	Noise Suppressor	AMC99G-L300X	1	
C - 35	Motor Support Rubber (Front)	AMC02F-E00	1	
C - 36	Motor Support Rubber (Rear)	AMC03F-V00	1	
C - 37	Wire Cord	AMC37G-V020U	1	
C - 38	Protector Filter	AMC33K-V000U	1	
C - 39	Handle	AMC64B-V20L	1	
C - 40	Upper Cord Storage Hook	AMC53E-V007	1	
C - 41	Cord Hook Base	AMC55E-V007	1	
C - 42	Cord Hook Spring	AMC76N-F70	1	
C - 43	Washer	AMC58B-F70	1	
C - 44	Lower Cord Storage Hook	AMC54E-V007	1	
C - 45	Screw	XTN4+30BFY	2	
C - 46	Dust Cover	AMC60K-XZZG004	1	
C - 47	Nozzle Hose	AMC34P-V01G004	1	
C - 48	Indicator Packing	AMC09M-L30	2	
C - 49	Indicator Cap	AMC17M-V20	1	
C - 50	Indicator Spring	AMC04M-V20	1	

■ PARTS LIST (MOTOR HOUSING, MOTOR, HANDLE, BODY)... BLOCK

Ref. No.	Part Name & Description	Part No.	Quantity	Remarks
C-51	Indicator Lead	AMC03M-680R0	1	
C-52	Indicator Body	AMC15M-V20	1	
C-53	Screw	XTN4+10BFY	2	

■ PARTS LIST (FAN REPLACEMENT)

Ref. No.	Part Name & Description	Part No.	Quantity	Remarks
1	Fan Case	AMC53F-AV00U *	1	
2	Nut	AMC33F-AC00U	1	
3	Washer	AMC62F-AV00U	1	
4	Fan	AMC96F-AV00U	1	
5	Spacer	AMC60F-AV00U	1	
6	Brush Assembly	AMC27F-AV00U	1 (set)	
7	Bracket	AMC02D-V300U	2	
8	Screw	AMC40D-V300U	2	