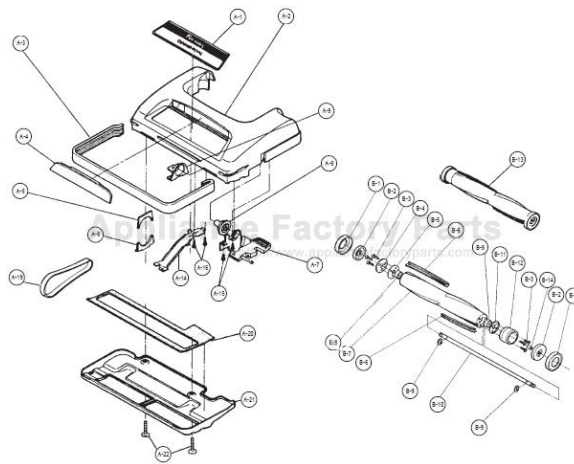


This Owner's Manual is provided and hosted by Appliance Factory Parts.



PANASONIC MC-5517 Owner's Manual

[Shop genuine replacement parts for PANASONIC
MC-5517](#)



[Find Your PANASONIC Vacuum Cleaner Parts - Select From 665 Models](#)

----- Manual continues below part list -----

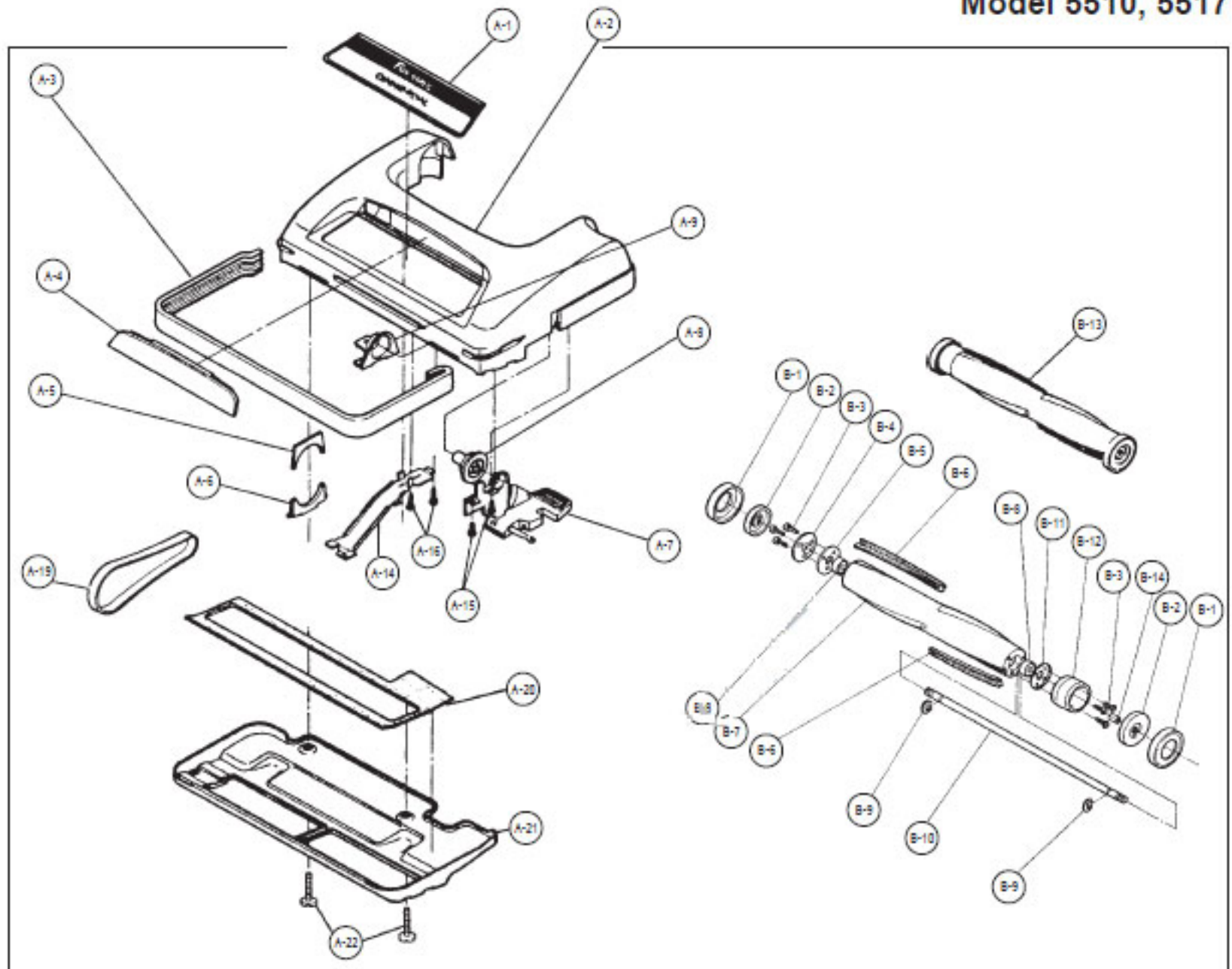
Available Replacement Parts for PANASONIC MC-5517

PR-14005	PANASONIC TYPE U DVC PAPER BAGS 3PK
P-77020	Screw.
C-12250	Dust bag
PR-1015	BELT, FLAT, UPRIGHTS, 1 PACK
PR-1016	BELT, PANASONIC (2 PACK)

Original & Replacement

PANASONIC

Model 5510, 5517



PARTS LIST (BODY UNIT)

KEY	PART NO.	DESCRIPTION
A-1	P-74920	Top Mark, 5510
A-1	P-02T-M100U	Top Mark, 5517
A-2	NLA	Nozzle Housing, 5510
A-2	NLA	Nozzle Housing, 5517
A-3	NLA	Furniture Guard, 5510
A-3	P-10A-F704	Furniture Guard, 5517
A-4	NLA	Cover, 5510
A-4	P-21H-F704	Cover, 5517
A-5	NLA	Agitator Holder (Upper)
A-6	P-76407	Agitator Holder (Lower)
A-6	PR-2064	Holder, Lower Packing W/Felt
A-7	P-73720	Pedal Ass'y, 5510
A-7	P-80A-F70U	Pedal Ass'y, 5517
A-8	P-73855	Bearing (Plastic Holder)
A-9	P-78A-F70	Bearing (A) (Metal Holder)
A-14	NLA	Belt Cover
A-15	P-77020	Screw
A-16	P-77020	Screw
A-19	P-MC210B	Belt, 2 Pk
A-19	PR-1015	Belt, UB Style
A-20	P-76110	Body Packing

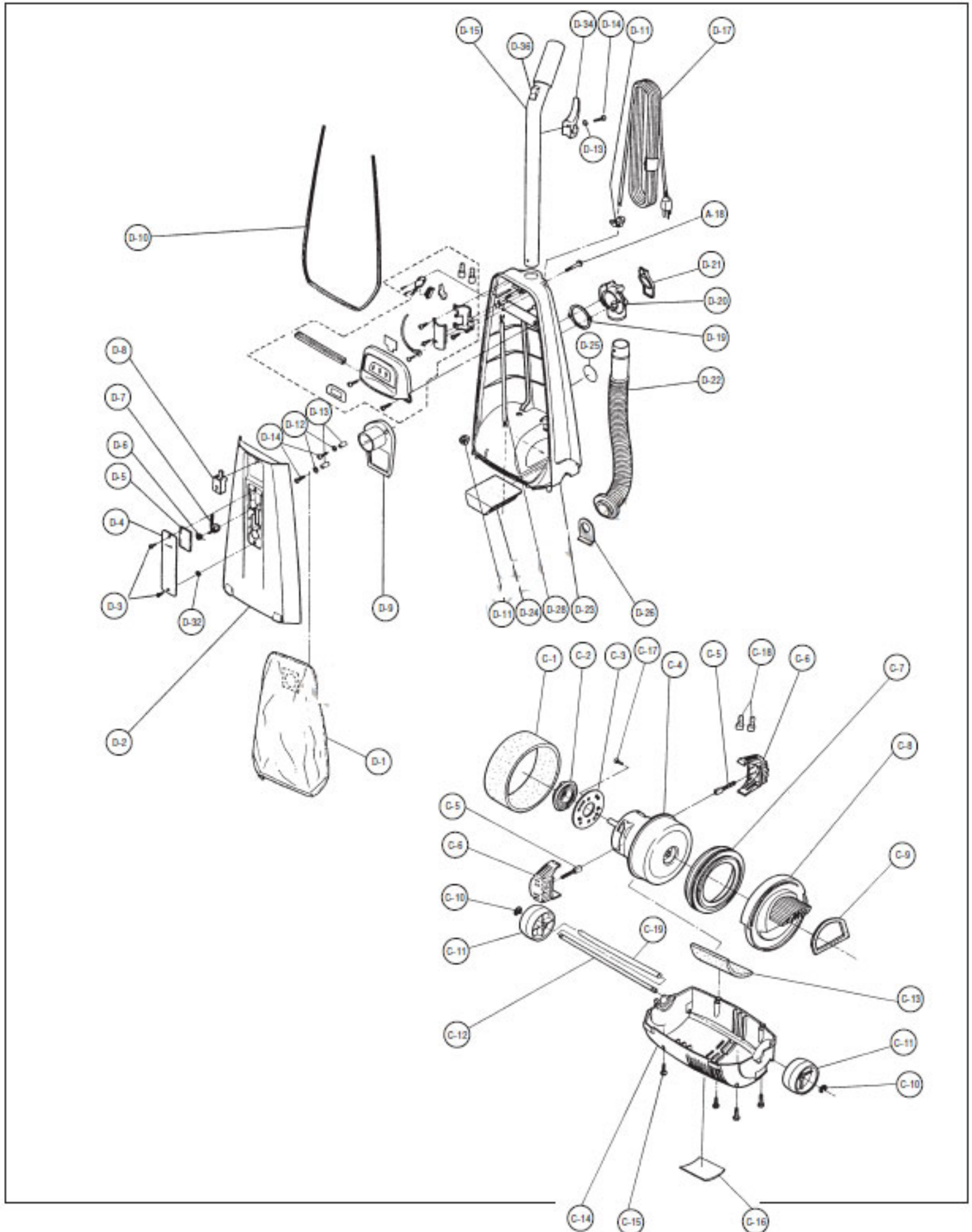
KEY	PART NO.	DESCRIPTION
A-21	P-76004	Base Plate
A-22	P-77015	Screw
PARTS LIST (AGITATOR ASSEMBLY)		
KEY	PART NO.	DESCRIPTION
B-1	P-20700	Rubber End Cover
B-1	NLA	Rubber Mount, Brushroll
B-2	P-20520	End Cap
B-3	P-77000	Screw
B-4	P-20740	End Plate
B-5	NLA	Filter
B-6	NLA	Brush, 4 Pk
B-7	P-20820	Agitator Dowel
B-8	P-20750	Roller Bearing
B-8	PR-6200	Bearing, Brushroll
B-9	NLA	E-Clip
B-10	P-20600	Agitator Shaft
B-11	P-20545	Pulley Metal
B-12	P-20655	Plastic Pulley
B-13	NLA	Agitator Ass'y
B-14	P-20745	Spacer

NLA = No Longer Available

PANASONIC

Original & Replacement

Model 5510, 5517



Original & Replacement

PANASONIC

Model 5510, 5517

PARTS LIST (MOTOR HOUSING)

KEY	PART NO.	DESCRIPTION
C-1	P-10G-F20	Noise Suppressor
C-2	P-76927	Motor Support Rubber
C-3	P-63F-F70	Motor Cover
C-4	P-60000	Motor
C-5	P-63000	Carbon Brush
C-6	P-63100	Carbon Brush Cap
C-7	P-02GD40	Motor Supporter, Rubber (Front)
C-8	P-20L-F70	Rear Partition
C-9	P-76855	Body Partition Packing
C-10	P-77115	C-Clip
C-11	P-71000	Roller
C-12	P-71360	Roller Shaft
C-13	P-76848	Rear Cover Packing
C-14	P-75040	Lower Motor Case, 5510
C-14	NLA	Lower Motor Case, 5517
C-15	P-77030	Screw
C-16	P-01T-M1Z00	Name Plate
C-17	P-XTN4+8FFYG	Screw
C-18	SS-3270	Wire Connector
C-19	P-29E-F700G	Insulating Tube

PARTS LIST (DUST COMPARTMENT UNIT)

KEY	PART NO.	DESCRIPTION
D-1	P-MC161C	Dust Bag
D-1	PR-1225	Bag, Cloth
D-1	P-MC115P	Bag, Paper, Type U 3 Pk
D-1	PR-14005	Bag, Paper, Type U 3 Pk
D-2	P-75520	Dust Cover, 5510
D-2	P-75522	Dust Cover, 5517
D-3	P-77050	Screw
D-4	P-11M-M100U	Top Plate, 5510
D-4	P-11M-BJ00U	Top Plate, 5517
D-5	P-08M-F70	Insulator Window
D-6	P-04M-F70	Spring
D-7	P-03M-F70	Indicator Needle
D-8	NLA	Knob, 5510
D-8	P-010-F70V	Knob, 5517
D-9	NLA	Bag Supporter, 5510
D-9	P-10K-V30L	Bag Supporter, 5517
D-10	P-75905	Dust Box Packing
D-11	P-62D-M10	Wire Bushing
D-12	P-77120	Washer
D-13	P-75910	Spacer
D-14	P-77030	Screw
D-15	P-70150	Handle, 5510
D-15	P-64B-M104	Handle, 5517
D-17	NLA	Power Cord
D-18	NLA	Handle Screw
D-19	NLA	Suction Inlet Packing
D-20	P-75675	Suction Inlet, 5510
D-20	P-73636	Suction Inlet, 5517
D-21	NLA	Cover, 5510
D-21	P-02H-F707	Cover, 5517
D-22	NLA	Nozzle Hose, 5510, 5517
D-23	P-75260	Dust Compartment, 5510
D-23	P-75252	Dust Compartment, 5517
D-24	P-18005	Filter
D-24	PR-1805	Filter
D-25	P-05T-F70	Sticker, 5510

KEY	PART NO.	DESCRIPTION
D-25	P-05T-F70V	Sticker, 5517
D-26	NLA	Hose Fitting
D-28	P-64E-M100U	Inter Connection Cord
D-32	P-XWA26BFY	Spring Washer
D-34	NLA	Cord Storage Hook
D-35	P-XSN4+20S	Screw
D-36	P-04E-F70	Switch Push Button
D-36	P-75430	Dust Bag Supporter (Not Shown)

PARTS LIST (POWER SWITCH UNIT)

KEY	PART NO.	DESCRIPTION
E-1	P-77020	Screw
E-2	P-21T-M100U	Ornamental Plate, 5510
E-2	P-21T-BJ00U	Ornamental Plate, 5517
E-3	P-73K-F70	Dust Box Packing
E-5	P-77020	Screw
E-6	P-69B-F70	Handle Fitting
E-7	P-53B-M10	Handle Supporter
E-8	P-77025	Screw
E-9	P-45E-F70	Terminal Cover, 5510
E-9	P-45E-M100U	Terminal Cover, 5517
E-10	P-24E-9	Main Switch
E-11	P-3-M71	Switch Lever
E-12	P-03M-9	Wire Connector
E-18	P-03E-M10	Switch Cover, 5510
E-19	P-03E-F704	Switch Cover, 5517
E-19	P-24E-M10	Insulating Plate
E-16	P-60G-MZ00	Insulating Tube
E-17	P-59G-M100U	Ground Wire
E-18	P-83H-M1Z00	Ground Screw
E-19	P-XWA4BPW	Washer
E-20	P-06W-M10	Cord Retainer

NLA = No Longer Available

