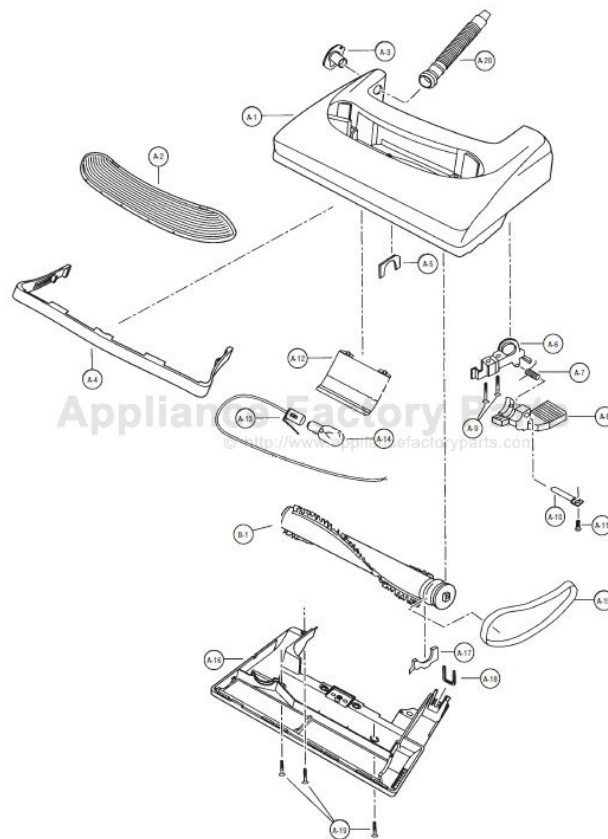


This Owner's Manual is provided and hosted by [Appliance Factory Parts](http://ApplianceFactoryParts.com).



PANASONIC MC-5995 Owner's Manual

[Shop genuine replacement parts for PANASONIC
MC-5995](#)



[Find Your PANASONIC Vacuum Cleaner Parts - Select From 665 Models](#)

----- Manual continues below part list -----

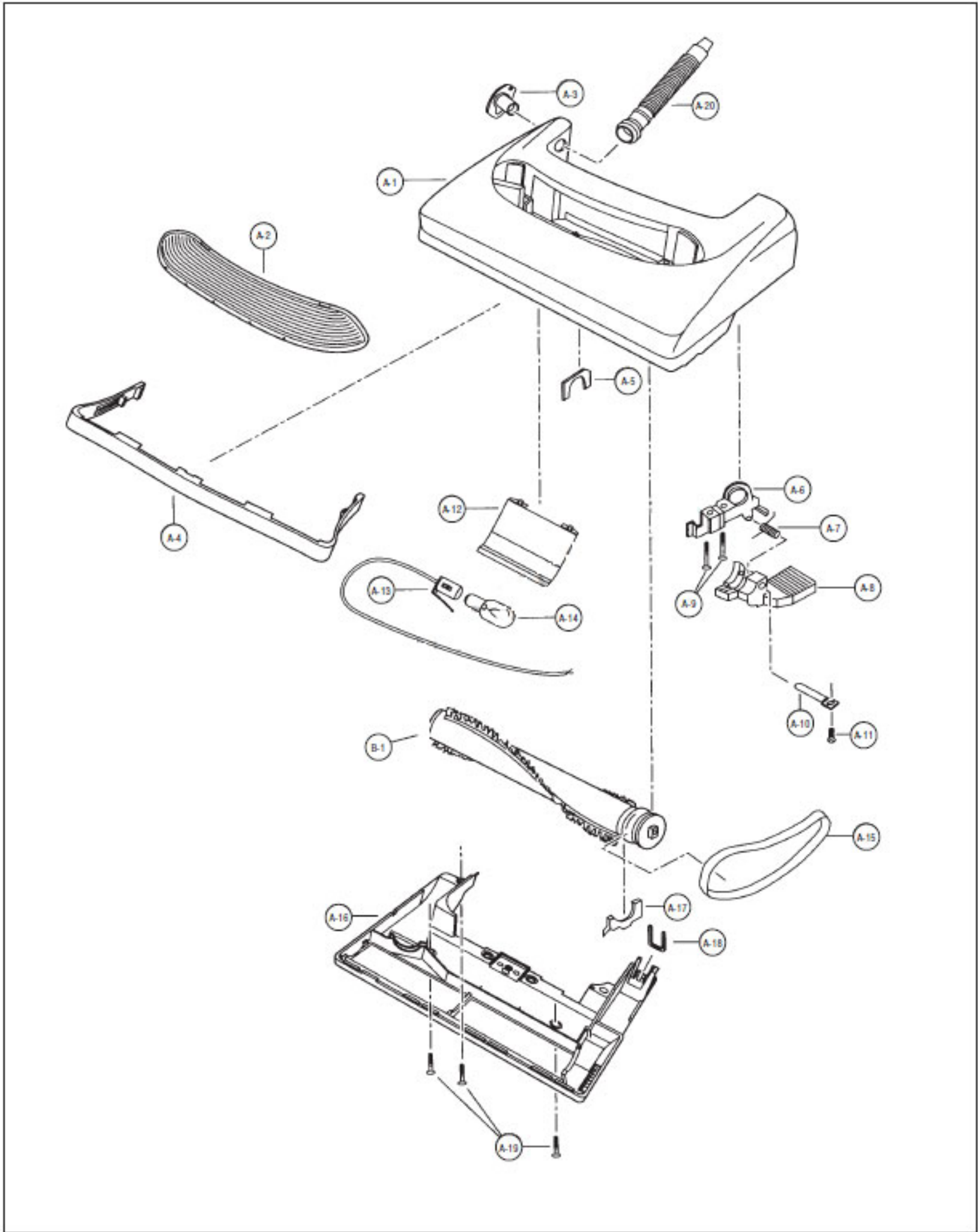
Available Replacement Parts for PANASONIC MC-5995

PR-1804	FILTER SECOONDARY AFTERMARKET 1 PACK
PR-14005	PANASONIC TYPE U DVC PAPER BAGS 3PK
P-77020	Screw.
FA-3500	LIGHT BULB, 25 WATT
PR-1015	BELT, FLAT, UPRIGHTS, 1 PACK
PR-1016	BELT, PANASONIC (2 PACK)
AMC32K-V00	SUPPORT, FILTER

Original & Replacement

PANASONIC

Model 5995



PANASONIC

Original & Replacement

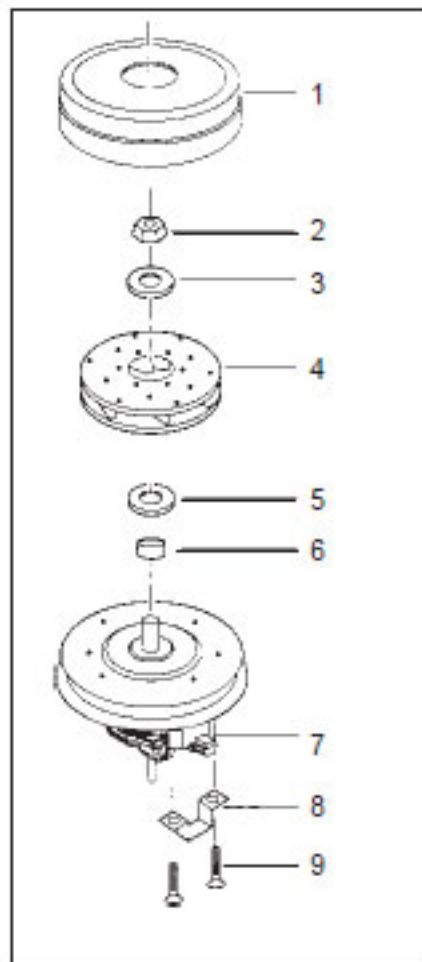
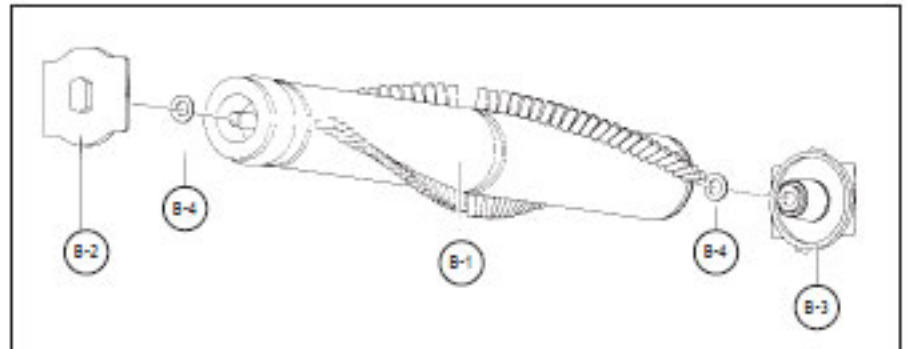
Model 5995

NOZZLE HOUSING

KEY	PART NO.	DESCRIPTION
A-1	P-73074	Nozzle Housing
A-2	P-75812	Window
A-3	P-73900	Plastic Shaft
A-4	P-74027	Furniture Guard
A-5	P-76425	Tight Packing
A-6	P-73421	Frame
A-7	P-77206	Pedal, Spring
A-8	P-73728	Pedal
A-9	P-77020	Screw, Frame
A-10	P-73742	Shaft, Pedal
A-11	P-77020	Screw, Pedal Shaft
A-12	P-84HURZW000	Reflector
A-13	P-93HURZ0000	Bulb Socket
A-14	FA-3500	Bulb
A-15	P-MC210B	Belt 2 Pk
A-15	PR-1015	Belt, UB
A-16	NLA	Lower Plate
A-17	P-76740	Lower Plate Packing
A-18	P-76315	Belt Cover
A-19	P-77012	Screw, Lower Plate
A-20	NLA	Nozzle Hose, Short

AGITATOR ASSEMBLY

KEY	PART NO.	DESCRIPTION
B-1	P-20020	Agitator Unit
B-2	P-20525	End Cap "A"
B-3	P-20535	End Cap "B"
B-4	P-681-424	Washer



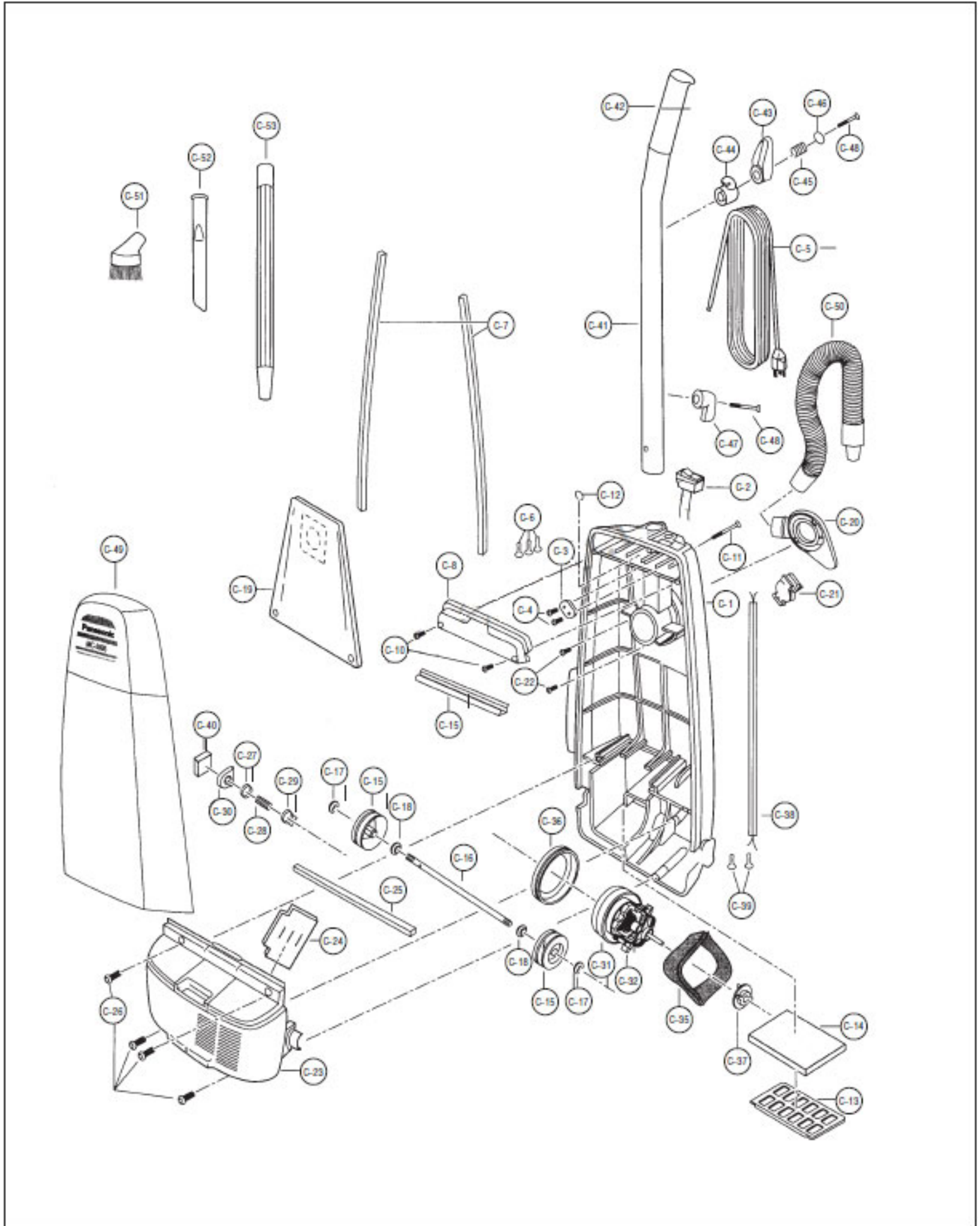
PARTS LIST

KEY	PART NO.	DESCRIPTION
1	P-53F-80FJ00	Fan Case
2	P-33FRF300U	Nut
3	P-62FBrV00U	Washer (a)
4	P-68FRFZ0000	Fan
5	P-22FRFZ0000	Washer (b)
6	P-60FRFZ0000	Spacer
7	P-27FRFZ0000	Brush Ass'y
8	P-02D-V300U	Bracket
9	P-40D-V300U	Screws

Original & Replacement

PANASONIC

Model 5995



PANASONIC

Original & Replacement

Model 5995

MOTOR HOUSING, MOTOR, HANDLE, BODY

KEY	PART NO.	DESCRIPTION	KEY	PART NO.	DESCRIPTION
C-1	NLA	Dust Compartment Unit	C-28	P-76865	Protector Spring
C-2	P-34100	On/Off Switch	C-29	P-68K-D20	Protector Case
C-3	P-62E-J20	Cord Stopper	C-30	P-50520	Protector Supporter
C-4	P-77020	Screw	C-31	P-60105	Fan Motor Unit
C-5	NLA	Power Cord	C-32	P-63052	Carbon Brush
C-6	SS-3270	Wire Connector	C-33	P-02D-V300U	Brush Retainer Bracket (Not Illustrated)
C-7	P-66KV01KU12	Dust Container Packing	C-34	P-40D-V300U	Screw (Brush) (Not Illustrated)
C-8	P-03EV02UU01	Switch Cover	C-35	P-18706	Noise Suppressor
C-9	P-73KV0ZKU12	Switch Cover Packing	C-36	P-76768	Motor Support Rubber Front
C-10	P-77020	Screw	C-37	P-76769	Motor Support Rubber Rear
C-11	P-77043	Handle Screw	C-38	P-37G-V02GU	Wire Cord
C-12	P-21B-170	Nut	C-39	SS-3720	Wire Connector
C-13	P-18420	Filter Supporter	C-40	P-33K-V000U	Protector Filter
C-14	P-18400	Secondary Filter	C-41	P-64BV1ZV007	Handle
C-14	PR-1800	Secondary Filter	C-42	P-50BV1ZV007	Handle Grip
C-15	P-71125	Roller	C-43	P-70912	Upper Cord Storage Hook
C-16	P-71350	Roller Shaft	C-44	P-70915	Cord Storage Base
C-17	P-77115	E-Clip	C-45	P-77200	Cord Hook Spring
C-18	P-XW6E115FT	Washer	C-46	P-77120	Washer
C-19	P-MC115P	Paper Bag 3 Pk	C-47	P-64BV0ZV007	Lower Cord Storage Hook
C-19	PR-14005	Paper Bag U3 3 Pk	C-50	P-77040	Screw
C-20	P-60HVWZB010	Suction Inlet	C-51	NLA	Dust Cover
C-21	P-02HYUZB010	Cover	C-50	NLA	Stretch Hose
C-22	P-77020	Screw	C-51	NLA	Dusting Brush
C-23	P-75050	Motor Case	C-52	P-60RZSZVU07	Crevice Tool
C-24	P-76850	Rear Cover Packing	C-53	NLA	Wand
C-25	P-19FV0ZKU12	Motor Case Packing			
C-26	P-77020	Screw			
C-27	P-50521	Protector			

NLA = No Longer Available