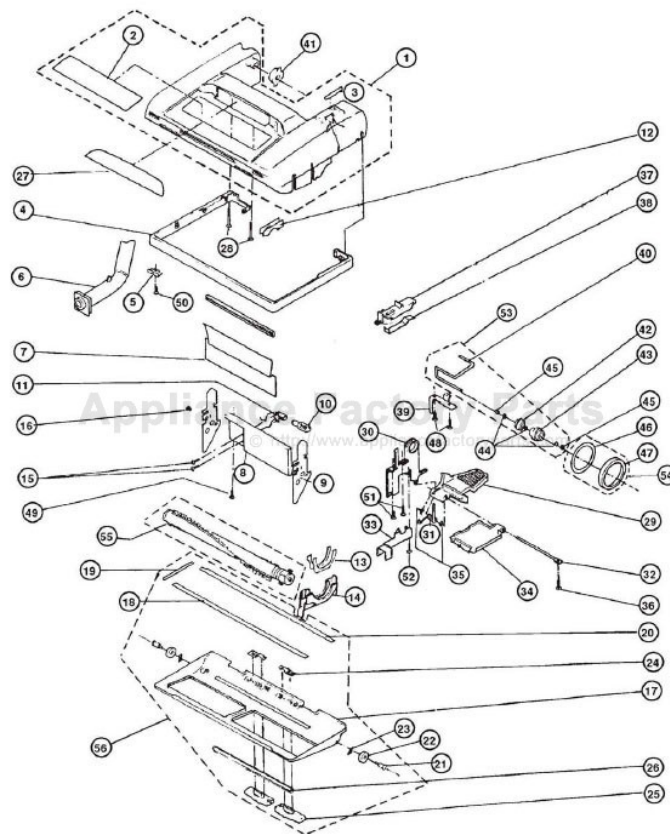


This Owner's Manual is provided and hosted by [Appliance Factory Parts](#).



PANASONIC MC-6215 Owner's Manual

[Shop genuine replacement parts for PANASONIC
MC-6215](#)

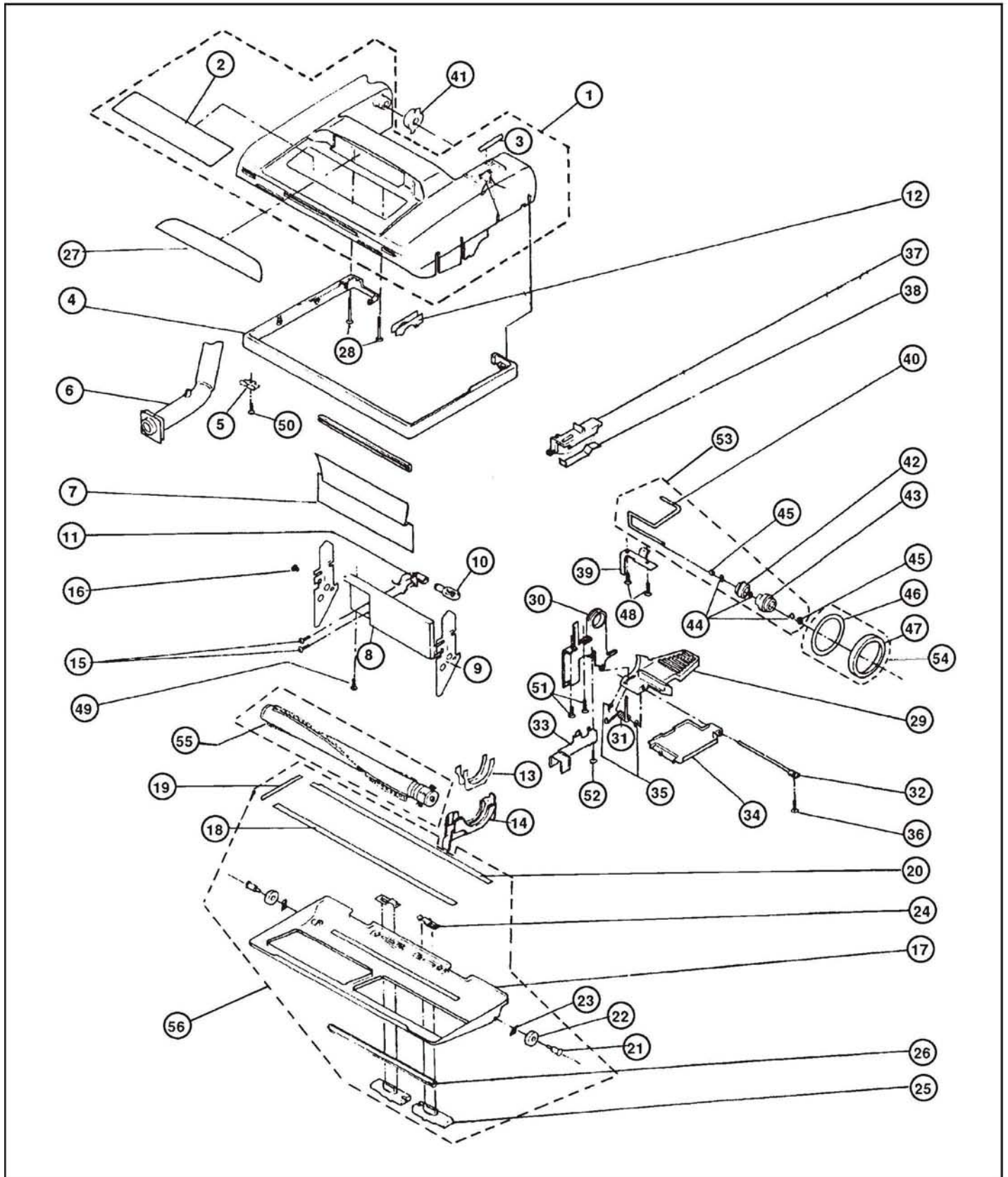


[Find Your PANASONIC Vacuum Cleaner Parts - Select From 605 Models](#)

----- Manual continues below -----

PANASONIC Original & Replacement

Model 6210, 6215, 6220, 6225, 6230



Original & Replacement **PANASONIC**

Model 6210, 6215, 6220, 6225, 6230

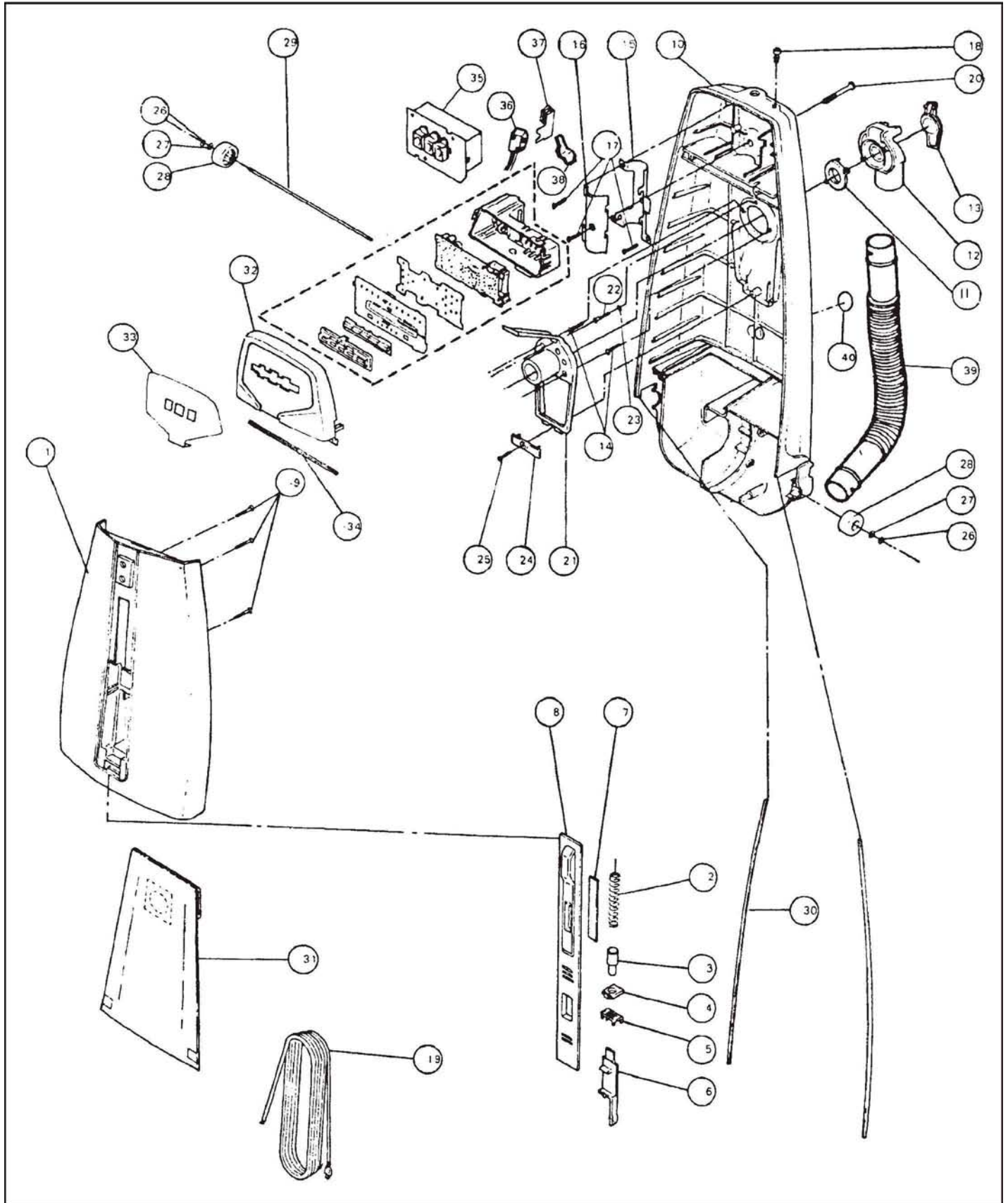
PARTS LIST (NOZZLE HOUSING)

KEY	PART NO.	DESCRIPTION	KEY	PART NO.	DESCRIPTION
1	NLA	Nozzle Housing 6210	27	P-75815	Window
1	P-73077	Nozzle Housing 6215/6225	28	P-68A-V30	Screw
1	NLA	Nozzle Housing 6220	29	P-73725	Pedal 6210, 6220, 6230
1	NLA	Nozzle Housing 6230	29	P-47A-V30B	Pedal 6215, 6225
2	P-02T-V30	Top Mark 6210	30	P-43A-V30	Frame
2	P-02T-V30B	Top Mark 6215	31	P-77207	Pedal Spring
2	P-02T-V40	Top Mark 6220	32	P-73741	Pedal Shaft
2	P-01A-V40B	Top Mark 6225	33	P-73745	Guide Lever
2	P-02T-V50	Top Mark 6230	34	P-73430	Rear Belt Cover
3	P-49R-V30	Selector Mark, 6210, 6220, 6230	35	P-77110	E-Clip
3	P-49R-1G00U	Selector Mark 6215, 6225	36	P-70020	Screw
4	P-74030	Furniture Guard, 6210, 6220, 6230	37	P-73740	Selector Lever
4	P-10A-V30B	Furniture Guard, 6215, 6225	37	P-18R-V30B	Selector Lever 6215, 6225
5	P-27S-V30	Hose Fitting Plate	38	P-73860	Selector Spring
6	P-73435	Nozzle Pipe	39	P-59D-V30	Fitting Board
7	P-73910	Reflector	40	P-73420	Idler Pulley Shaft
8	P-85H-V30	Bulb Support	41	P-25S-V30	Plastic Shaft
9	P-86H-V30	Side Plate (Bulb Supporter)	43	NLA	Pulley Ball Bearing
10	FA-3500	Bulb 25 Watt	42	P-73415	Idler Pulley Ball Bearing
11	P-93H-F800U	Bulb Socket	44	P-XWG6	Washer
12	P-76450	Tight Packing	45	P-77115	E-Clip
13	P-76750	Body Packing	46	HR-1011	Belt, Round UB2
14	P-76325	Belt Cover	47	P-MC245B	Belt Flat 2 Pk
15	P-XYN3+C6S	Screw	47	PR-1000	Belt Flat UB3
16	P-58E-V30	Wire Bushing	48	P-70020	Screw
17	P-76035	Bottom Plate Only	49	P-70020	Screw
18	P-76125	Packing Lower Plate (Front)	50	P-70020	Screw
19	NLA	Packing Lower Plate (Right)	51	P-77030	Screw
20	P-76127	Packing Lower Plate (Rear)	52	P-26A-V30	Screw
21	P-76845	Floor Nozzle Roller Shaft	53	NLA	Idler Pulley Ass'y
22	P-76841	Floor Nozzle Roller	54	P-MC241B	Belts, UB2, UB3 2 Pk
23	P-77150	Push On Spring Nuts	54	HR-1011	Belt, UB2 Round
24	P-76870	Stop Latch Spring	54	PR-1000	Belt, UB3 Flat
25	P-76420	Latch 6210, 6220, 6230	55	P-20040	Agitator Ass'y Complete
25	P-76415	Latch 6215, 6225	55	PR-2010	Agitator Ass'y Complete
26	P-76900	Floor Nozzle Rubber	56	P-76030	Bottom Plate Complete

PANASONIC

Original & Replacement

Model 6210, 6215, 6220, 6225, 6230



Original & Replacement **PANASONIC**

Model 6210, 6215, 6220, 6225, 6230

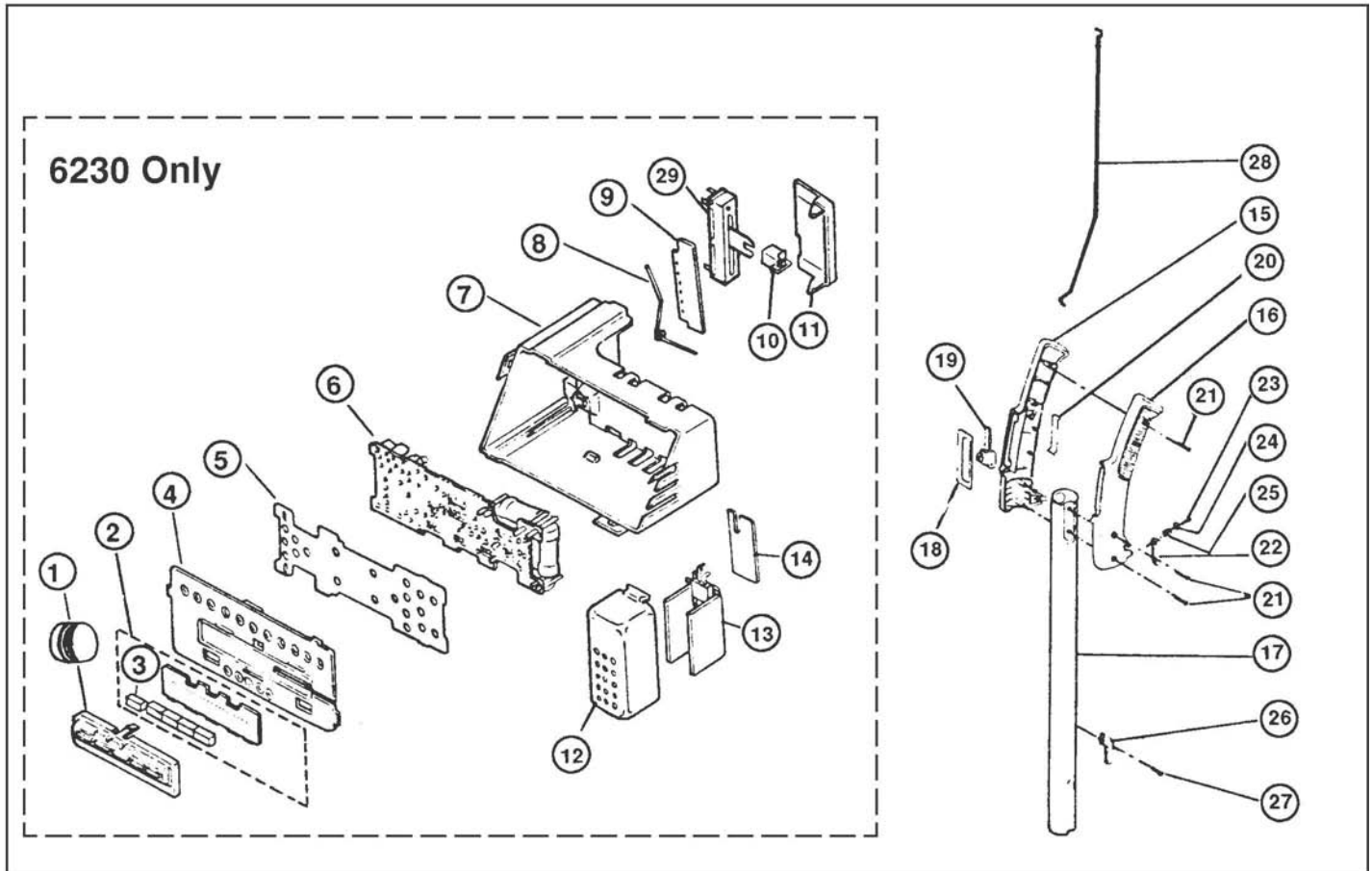
PARTS LIST (DUST COMPARTMENT)

KEY	PART NO.	DESCRIPTION	KEY	PART NO.	DESCRIPTION
1	NLA	Dust Cover, 6210, 6220, 6230	26	P-77110	E-Clip
1	P-60K-V40B	Dust Cover 6215	27	P-XWG6E13FY	Washer
1	P-60K-V30B	Dust Cover 6225	28	P-71125	Rear Wheel
2	P-04M-V30	Indicator Spring	29	NLA	Rear Wheel Shaft
3	P-97M-V30	Indicator Lead	30	P-66K-V30R	Dust Box Packing 6210, 6220, 6230
4	P-20M-V30	Indicator Lead Supporter	30	P-66K-V30B	Dust Box Packing 6215, 6225
5	P-43M-M400A	Alarm Blade	31	P-MC115P	Paper Bag Type U 3 Pk
6	P-06M-V30	Alarm Switch Lever	31	PR-14005	Paper Bag Type U 3 Pk
7	P-08M-V30	Indicator Window	32	P-03E-V30W	Switch Cover, 6210, 6220, 6230
8	P-01H-V30R	Front Cover, 6120, 6220, 6230	32	P-03E-V30B	Switch Cover 6215, 6225
8	P-01H-V40B	Front Cover 6215	33	P-21T-V300	Ornamental Plate 6210
8	P-01H-V30B	Front Cover 6225	33	P-21T-1G00U	Ornamental Plate 6215
9	P-77020	Screw	33	P-21T-V40	Ornamental Plate 6220
10	NLA	Dust Compartment 6210	33	P-21T-1HZZU	Ornamental Plate 6225
10	P-75216	Dust Compartment 6215	33	P-21T-V50	Ornamental Plate 6230
10	P-75261	Dust Compartment 6220	34	P-73K-V30R	Dust Cover Packing 6210, 6220, 6230
10	P-75241	Dust Compartment 6225	34	P-73K-V30B	Dust Cover Packing 6215, 6225
10	NLA	Dust Compartment 6230	35	NLA	Power Control Switch 6220
11	NLA	Suction Inlet Packing	35	P-89E-1H00U	Power Control Switch 6215, 6225
12	P-75680	Suction Inlet, 6210, 6220, 6230	36	P-34150	Main Switch
12	P-60H-1G0	Suction Inlet 6215, 6225	37	P-45E-V30	Terminal Cover 6210, 6220
13	P-75627	Cover 6210, 6220, 6230	38	P-15E-V30	Switch Lever 6210, 6220
13	P-02H-F71C	Cover 6215, 6225	39	NLA	Nozzle Hose, 6210, 6220, 6230
14	P-70020	Screw	39	P-73641	Nozzle Hose, 6215, 6225
15	P-53B-V30	Handle Supporter	40	P-05T-F70Q	Sticker
16	P-69B-V30	Handle Fitting			
17	P-77020	Screw			
18	P-62E-V30	Wire Bushing			
19	P-97E-V30	Power Cord 6210, 6215			
19	P-97E-V40	Power Cord 6220, 6225			
19	P-97E-V50	Power Cord 6230			
20	P-77045	Handle Screw			
21	NLA	Bag Supporter			
22	P-27K-P30	Screw			
23	P-XWG4FY	Washer			
24	P-13K-F70Q	Bag Supporter Spacer			
25	P-77020	Screw			

NLA = No Longer Available

PANASONIC Original & Replacement

Model 6210, 6215, 6220, 6225, 6230



PARTS LIST (POWER INDICATOR)

KEY	PART NO.	DESCRIPTION	KEY	PART NO.	DESCRIPTION
1	P-33M-V50	Power Indicator Window	18	P-93D-V50	Switch Window 6230
2	P-88V-V50	Power Indicator (U)	18	P-93D-1G0KU	Switch Window 6215, 6225
3	P-LN0202RP2	Light Emitting Diode	19	NLA	Switch Knob
4	P-24H-V50	Controller Box Cover	20	P-77225	Switch Knob Spring
5	P-23E-V50	Insulation Plate	21	P-70020	Screw
6	P-89V-V50	Printed Circuit Board	22	P-70825	Upper Cord Hook 6210, 6220, 6230
7	P-44M-V50	Controller Box	22	P-70827	Upper Cord Hook 6215, 6225
8	P-76S-V50	Lever Support Spring	23	P-70020	Screw
9	P-91V-V50	Printed Circuit F	24	P-77120	Handle Washer
10	P-88F-V50	Control Terminal	25	P-77200	Cord Hook Spring
11	P-29M-V50	Control Cover	26	P-70875	Lower Cord Hook 6210, 6220, 6230
12	P-28M-V50	Fin Cover	26	P-70828	Lower Cord Hook 6215, 6225
13	P-36010	Printed Circuit Board B (Fin)	27	P-77030	Screw
14	P-39E-V50	Insulation Plate	28	P-73885	Handle Lever 6210, 6215, 6220, 6225
15	P-70265	Handle Grip Right 6210, 6220, 6230	28	P-60B-V50	Handle Lever 6230
15	NLA	Handle Grip Right, 6215, 6225	29	P-86M-V50	Control
16	P-70267	Handle Grip Left 6210, 6220, 6230			
16	P-70272	Handle Grip Left, 6215, 6225			
17	P-70130	Handle			
18	P-93D-V30	Switch Window 6210, 6220			

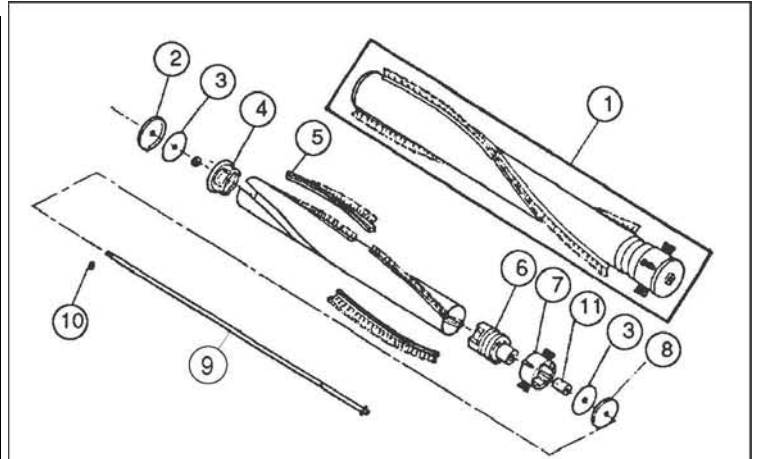
NLA = No Longer Available

Original & Replacement **PANASONIC**

Model 6210, 6215, 6220, 6225, 6230

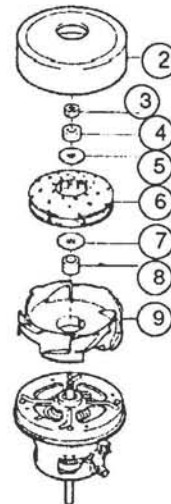
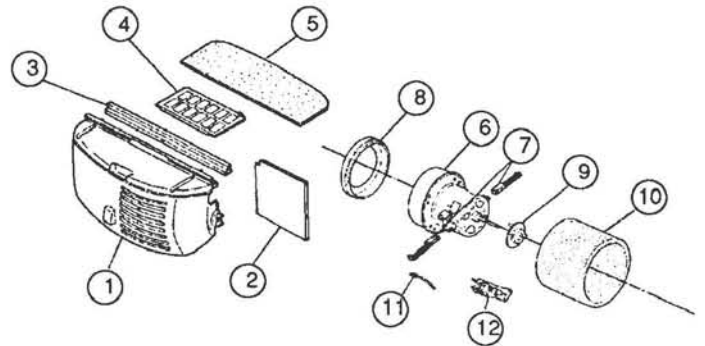
PARTS LIST (BRUSHROLL)

KEY	PART NO.	DESCRIPTION
1	P-20040	Agitator Ass'y Complete
1	PR-2010	Agitator Ass'y Complete
2	NLA	End Cap Left
2	PR-2052	End Cap Left
3	NLA	Agitator Filter
3	PR-2066	Agitator Filter
4	P-20840	Agitator/Bearing Holder
4	PR-2058	Agitator/Bearing Holder
5	P-22020	Agitator Strips
5	PR-2215	Agitator Strips
6	P-20656	Agitator Pulley
6	PR-2062	Agitator Pulley
7	NLA	Edge Cleaner/Brush Holder
7	PR-2056	Edge Cleaner/ Brush Holder
8	P-20517	End Cap Right
9	P-20610	Agitator Shaft
10	P-77110	E-Clip
11	P-20735	Spacer



PARTS LIST (MOTOR HOUSING)

KEY	PART NO.	DESCRIPTION
1	NLA	Motor Case 6210, 6220, 6230
1	NLA	Motor Case 6215, 6225
2	P-18300	Rear Cover Packing
3	P-19F-V30R	Motor Case Support Rubber 6210, 6220, 6230
3	P-19F-V30B	Motor Case Support Rubber 6215, 6225
4	P-18420	Filter Supporter
5	P-18030	Filter
5	PR-1810	Filter
6	NLA	Motor, Except 6220/6225
6	NLA	Motor, 6200's Except 6220/6225
6	NLA	Motor, 6220/6225
7	P-63010	Carbon Brush
8	P-76925	Motor Support Rubber (Front)
9	P-76930	Motor Support Rubber (Rear)
10	P-18705	Noise Suppressor
11	P-44G-V00	Lead Wires W/Amp Terminal
12	P-95V-F900U	Control Diode



PARTS LIST (MOTOR)

KEY	PART NO.	DESCRIPTION
2	P-53F-V30	Fan Case
3	P-33F-050	Nut
4	P-61F-D90	Spacer
5	P-62F-0V0	Washer
6	NLA	Fan
7	P-62F-G40	Washer
8	P-60F-850	Spacer
9	NLA	Air Guide

NLA = No Longer Available