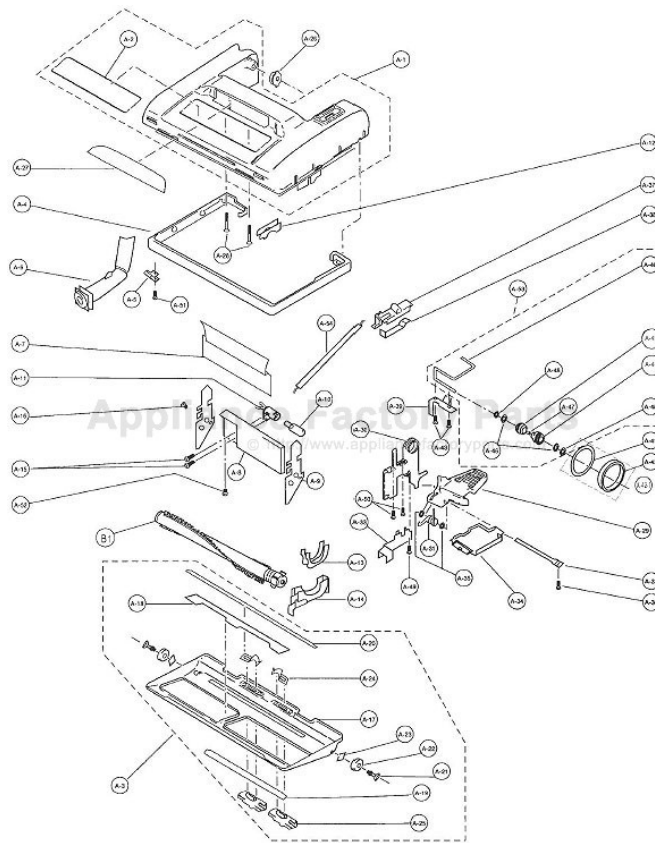


This Owner's Manual is provided and hosted by [Appliance Factory Parts](#).



PANASONIC MC-6217 Owner's Manual

[Shop genuine replacement parts for PANASONIC
MC-6217](#)



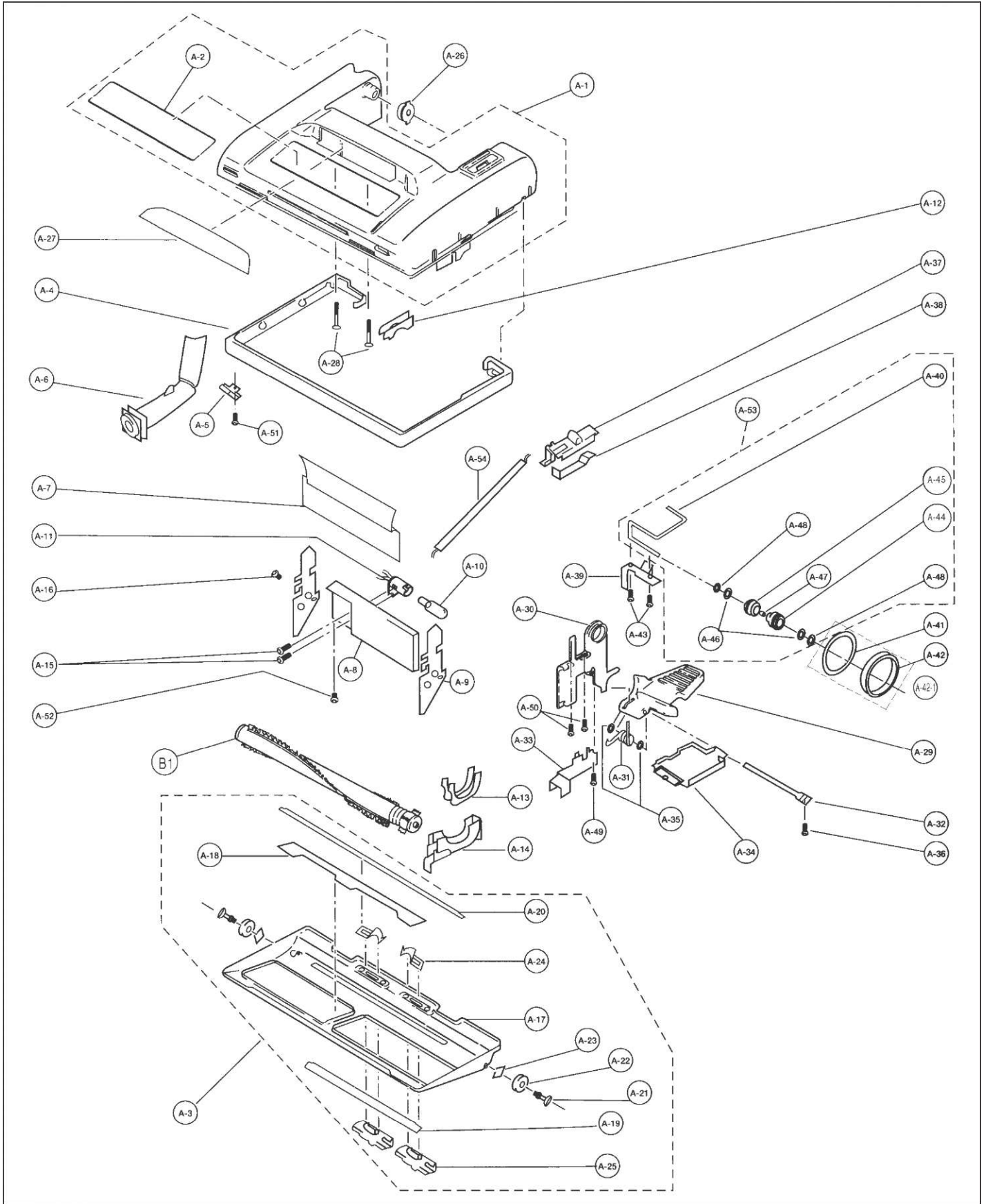
[Find Your PANASONIC Vacuum Cleaner Parts - Select From 605 Models](#)

----- Manual continues below -----

PANASONIC

Original & Replacement

Models 6217, 6250, 6255



Original & Replacement

PANASONIC

Model 6217, 6250, 6255

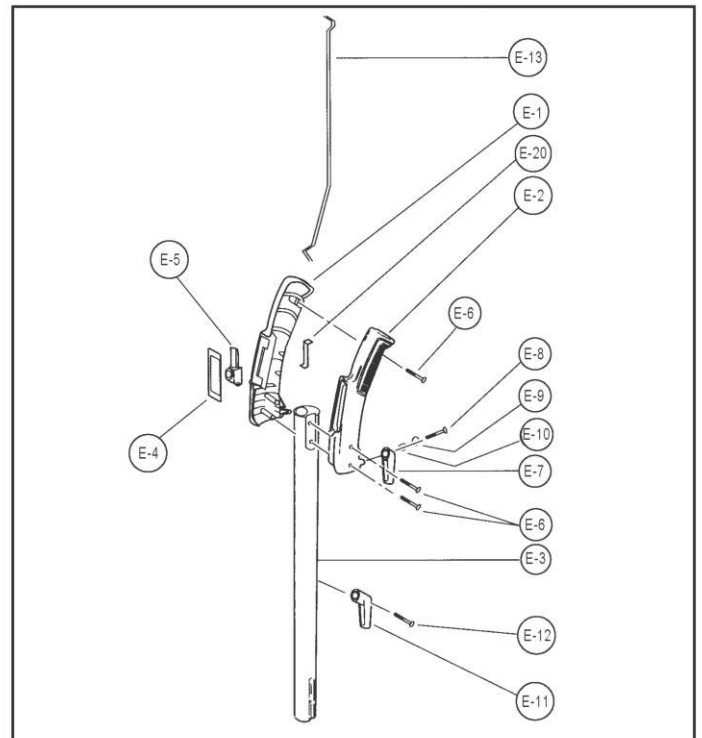
PARTS LIST (NOZZLE HOUSING)

KEY	PART NO.	DESCRIPTION	KEY	PART NO.	DESCRIPTION
A-1	NLA	Nozzle Housing, 6217	A-30	P-73419	Frame
A-1	NLA	Nozzle Housing, 6250	A-31	P-77207	Pedal Spring
A-1	NLA	Nozzle Housing, 6255	A-32	P-73741	Pedal Shaft
A-2	P-02T-9G00U	Top Mark, 6217	A-33	P-73745	Guide Lever
A-2	P-02T-ZJU	Top Mark, 6250	A-34	P-73430	Rear Belt Cover
A-2	P-02T-ZKU	Top Mark, 6255	A-35	P-77110	E-Clip
A-3	P-76030	Lower Plate Assembly	A-36	P-77030	Screw
A-4	P-74045	Furniture Guard, 6217	A-37	P-18R-V30J	Lever-Floor Nozzle, 6217
A-4	P-74035	Furniture Guard, 6250	A-37	P-18R-V30V	Lever-Floor Nozzle, 6250
A-4	P-74040	Furniture Guard 6255	A-37	P-18RV3ZKU10	Lever-Floor Nozzle, 6255
A-5	P-27S-V30	Hose Fitting Plate	A-38	P-73860	Selector Spring
A-6	P-73435	Nozzle Pipe	A-39	P-59D-V30	Fitting Board
A-7	P-73910	Reflector	A-40	P-73420	Idler Pulley Shaft
A-8	P-85H-V30	Bulb Supporter	A-41	HR-1011	Belt, Round UB2
A-9	P-86H-V30	Side Plate (Bulb Supporter)	A-42	P-MC245B	Flat Belt, 2 Pk
A-10	FA-3500	Bulb, 25 Watt	A-42	PR-1000	Belt, Flat UB3
A-11	P-93H-F800U	Bulb Socket	A-42-1	P-MC241B	Belt, 1 Round, 1 Flat UB2/UB3
A-12	P-76450	Tight Packing	A-43	P-77030	Screw
A-13	P-76750	Body Packing	A-45	NLA	Pulley
A-14	P-76325	Belt Cover	A-44	P-73415	Idler Pulley
A-15	P-XYN3+C6FY5	Screw	A-46	P-XWG6E115FY	Washer
A-16	P-58E-V30	Wire Bushing	A-47	P-74S-1L0	Spacer
A-17	P-76035	Lower Plate	A-48	P-77115	E-Clip
A-18	P-76125	Packing (Lower Plate Front)	A-49	P-26A-V30	Screw
A-19	P-76900	Floor Nozzle Rubber	A-50	P-77030	Screw
A-20	P-76127	Floor Nozzle Rubber Rear	A-51	P-77020	Screw
A-21	P-76845	Floor Nozzle Roller Shaft	A-52	P-77020	Screw
A-22	P-76841	Floor Nozzle Roller	A-53	NLA	Idler Pulley Unit
A-23	P-77150	Push On Spring Nuts	A-54	P-37G-V30	Wire Cord 6250/6255
A-24	P-76870	Stop Latch Spring	B-1	P-20050	Brushroll Dowel Only
A-25	P-76415	Latch			
A-26	P-25S-V31W	Plastic Shaft			
A-27	P-75815	Window			
A-28	P-68A-V30	Screw			
A-29	P-47A-V30U	Pedal, 6250			
A-29	P-73726	Pedal, 6255/6217			

PARTS LIST (HANDLE)

KEY	PART NO.	DESCRIPTION
E-1	P-70287	Handle Grip Right, 6250
E-1	NLA	Handle Grip Right, 6217/6255 (Order P-70261)
E-2	P-70288	Handle Grip Left, 6250
E-2	P-70290	Handle Grip Left, 6217/6255
E-3	NLA	Handle, 6217
E-3	P-70275	Handle, 6250
E-3	P-70280	Handle, 6255
E-4	P-93D-9G00U	Switch Window
E-5	NLA	Switch Knob
E-6	P-77020	Screw
E-7	P-70830	Upper Cord Hook
E-8	P-77020	Screw
E-9	P-77120	Handle Washer
E-10	P-77200	Cord Hook Spring
E-11	P-70880	Lower Cord Hook, 6250
E-11	P-70885	Lower Cord Hook, 6217/6255
E-12	P-77020	Screw
E-13	P-73885	Handle Lever
E-20	NLA	Switch Knob Spring

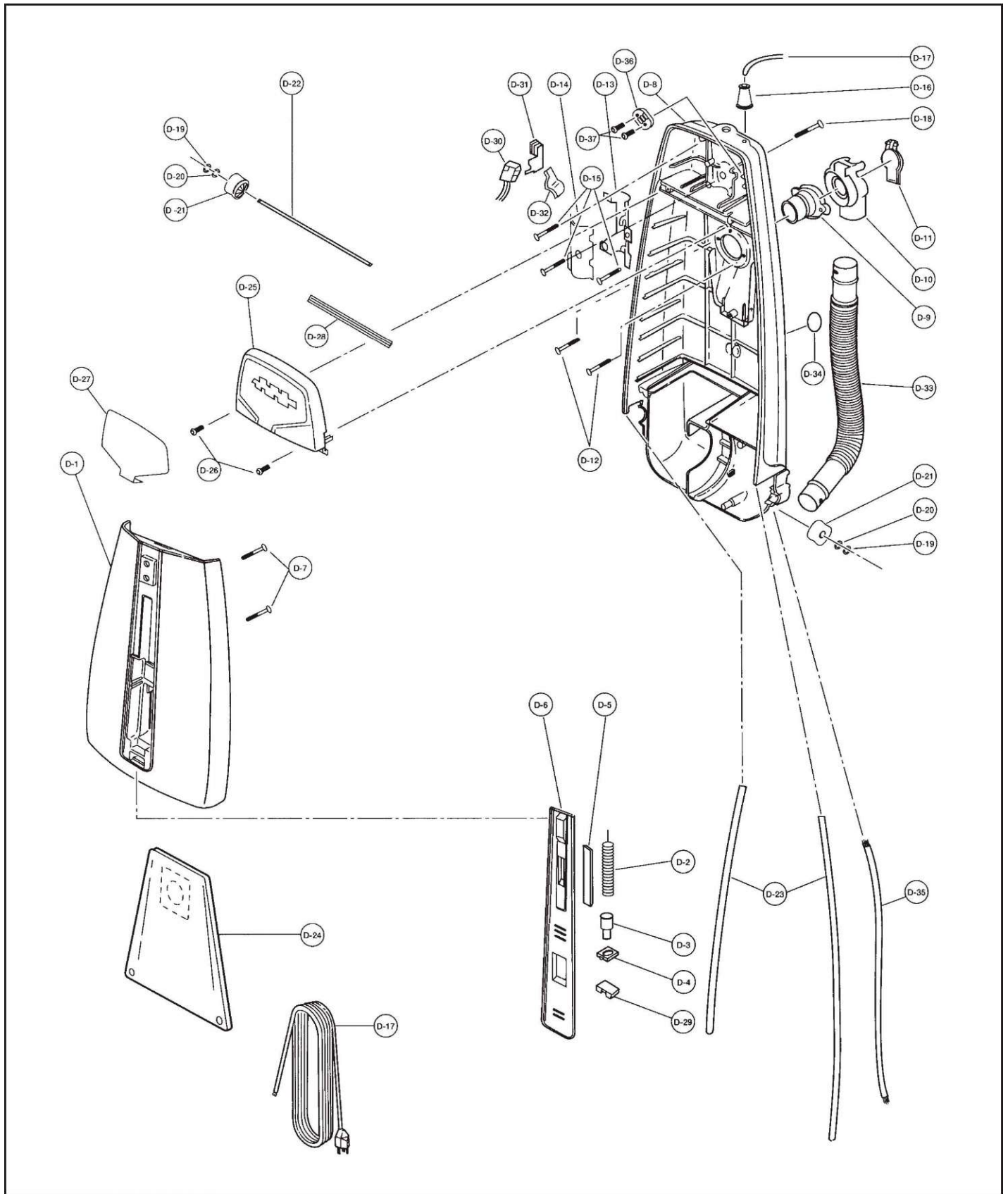
NLA = NO LONGER AVAILABLE



PANASONIC

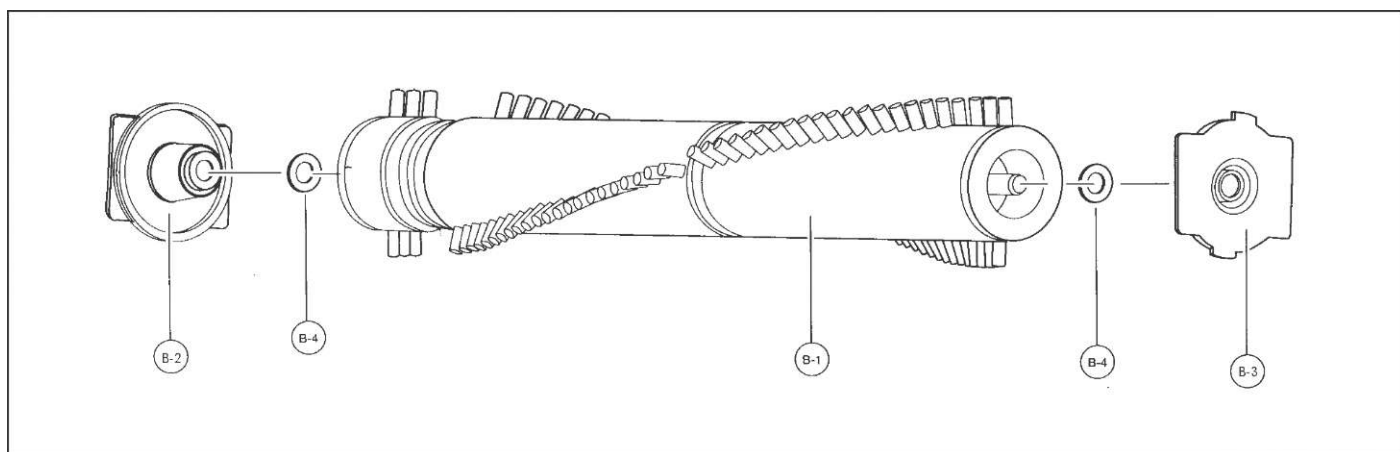
Original & Replacement

Model 6217, 6250, 6255



PARTS LIST (DUST COMPARTMENT, DUST COVER)

KEY	PART NO.	DESCRIPTION	KEY	PART NO.	DESCRIPTION
D-1	P-60K-V403	Dust Cover, 6217	D-20	P-XWG6E115FY	Washer
D-1	P-60KV41BU05	Dust Cover, 6250	D-21	P-71125	Roller (Wheel)
D-1	P-60KV41KU09	Dust Cover, 6255	D-22	NLA	Roller Shaft
D-2	P-04M-V30	Indicator Spring	D-23	P-66K-V30J	Dust Box Packing
D-3	P-97M-V30	Indicator Lead	D-24	P-MC115P	Dust Bag, Paper, U3 3 PK
D-4	P-20M-V30	Indicator Lead Supporter	D-24	PR-1471	Dust Bag, Paper U/U3 3 Pk
D-5	P-08M-V30	Indicator Window	D-25	P-03E-9G0VU	Switch Cover, 6217
D-6	P-01H-V40KU	Front Cover, 6217	D-25	P-03E9GZBU05	Switch Cover, 6250
D-6	P-01HZJZVU12	Front Cover, 6250	D-25	P-03E9GZKU09	Switch Cover, 6255
D-6	P-01HZJZKU10	Front Cover, 6255	D-26	P-77020	Screw (Switch Cover)
D-7	P-77020	Screw	D-27	P-21T-9G00U	Ornamental Plate, 6217
D-8	P-75217	Dust Compartment, 6217	D-27	P-21T-ZJZ0U	Ornamental Plate, 6250
D-8	P-75263	Dust Compartment, 6250	D-27	P-21T-ZKZ0U	Ornamental Plate, 6255
D-8	P-75258	Dust Compartment, 6255	D-28	P-73K-V30J	Switch Cover Packing, 6217
D-9	P-75415	Suction Inlet Packing	D-28	P-73KV3ZKU12	Switch Cover Packing, 6250/6255
D-10	P-60-F703	Suction Inlet, 6217	D-29	P-09M-V30	Indicator Packing
D-10	P-75640	Suction Inlet, 6250	D-30	P-34150	Main Switch
D-10	NLA	Suction Inlet, 6255	D-31	P-45E-V31	Terminal Cover
D-11	P-02H-F703	Cover, 6217	D-32	P-15E-V30	Switch Lever
D-11	P-75678	Cover, 6250	D-33	P-73618	Nozzle Hose, 6217
D-11	NLA	Cover, 6255	D-33	NLA	Nozzle Hose, 6250
D-12	P-XTN4+14B	Screw	D-34	NLA	Nozzle Hose, 6255
D-13	P-53B-V30	Handle Supporter	D-34	P-05T-F70Q	Sticker Warning
D-14	P-69B-V30	Handle Fitting	D-35	P-38G-V3000	Wire Cord
D-15	P-77020	Screw	D-36	P-62E-J20	Cord Stopper
D-16	P-62E-V30	Cord Bushing, 6217	D-37	P-77020	Screw
D-16	P-51E-L00V	Cord Bushing, 6250			
D-16	P-51E-L00	Cord Bushing, 6255			
D-17	P-97E-V40V	Power Cord, 6217			
D-17	P-97E-ZJZVU	Power Cord, 6250			
D-17	P-97E-ZKZ0U	Power Cord, 6255			
D-18	P-77045	Handle Screw			
D-19	P-77115	E-Clip			

**PART 5 LIST (AGITATOR ASSEMBLY)**

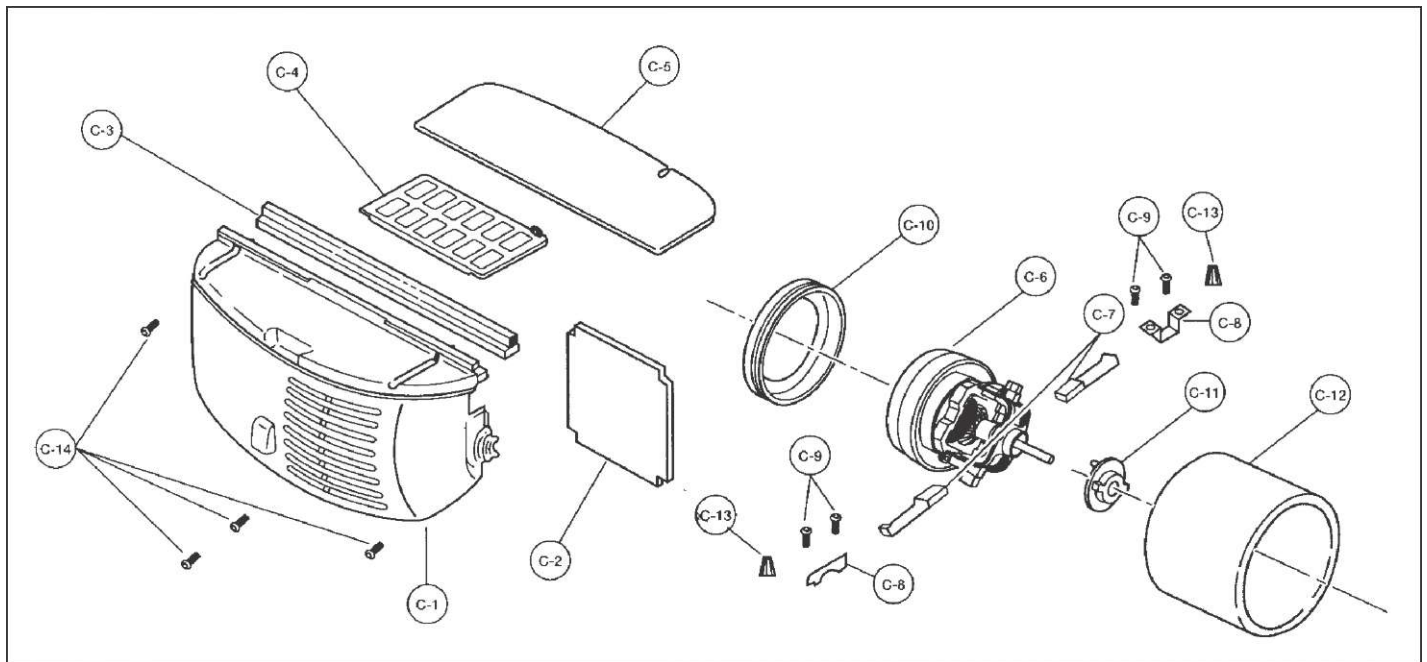
KEY	PART NO.	DESCRIPTION
B-1	P-20050	Agitator Unit 6250/6255
B-2	P-20525	End Cap "A" 6250/6255
B-3	P-20535	End Cap "B" 6250/6255
B-4	P-681-424	Washer 6250/6255

NLA = No Longer Available

PANASONIC

Original & Replacement

Model 6217, 6250, 6255



PARTS LIST (MOTOR HOUSING)

KEY	PART NO.	DESCRIPTION	KEY	PART NO.	DESCRIPTION
C-1	NLA	Motor Case, 6217	C-6	NLA	Fan Motor Unit
C-1	P-75078	Motor Case, 6250	C-7	P-63050	Carbon Brush (set)
C-1	P-75115	Motor Case, 6255	C-8	P-02D-V300U	Brush Bracket (set)
C-2	P-18300	Rear Cover Packing, 6217	C-9	P-40D-V300U	Screws (bracket)
C-2	P-02L-AV0	Rear Cover Packing, 6250/6255	C-10	P-76925	Motor Support Rubber (Front)
C-3	P-19F-V30J	Motor Case Support Rubber, 6217	C-11	P-76930	Motor Support Rubber (Rear)
C-3	P-19FV3ZKU12	Motor Case Support Rubber, 6250/6255	C-12	P-18705	Noise Suppressor
C-4	P-18420	Filter Supporter	C-13	SS-3270	Wire Nuts
C-5	P-18030	Filter	C-14	P-77020	Screw
C-5	PR-1810	Filter, 6200 Series Except 6217			
C-5	P-18035	Filter, 6217			

PARTS LIST (FAN REPLACEMENT)

KEY	PART NO.	DESCRIPTION
1	NLA	Motor
2	P-53F-AV00U	Fan Case
3	P-33F-AC00U	Nut
4	P-62F-AV00U	Washer
5	P-28525	Fan
6	P-60F-AV00U	Spacer
7	P-63050	Brush Assembly
8	P-02D-V300U	Bracket
9	P-40D-V300U	Screw

