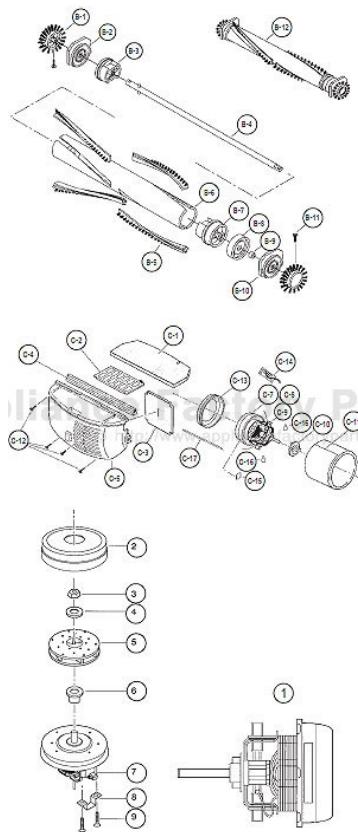


This Owner's Manual is provided and hosted by [Appliance Factory Parts](#).



# PANASONIC MC-6337 Owner's Manual

[Shop genuine replacement parts for PANASONIC  
MC-6337](#)



[Find Your PANASONIC Vacuum Cleaner Parts - Select From 665 Models](#)

----- Manual continues below part list -----

## Available Replacement Parts for PANASONIC MC-6337

<a href="#">PR-1810</a>	FILTER FOR PANASONIC REPLACEMENT
<a href="#">PR-14005</a>	PANASONIC TYPE U DVC PAPER BAGS 3PK
<a href="#">MC-260B</a>	BELT, 2 PACK
<a href="#">AMC32K-V00</a>	SUPPORT, FILTER

# Original & Replacement **PANASONIC**

Models 6317, 6327, 6337, 6347, 6357, 6367

## PARTS LIST (BRUSH ROLL)

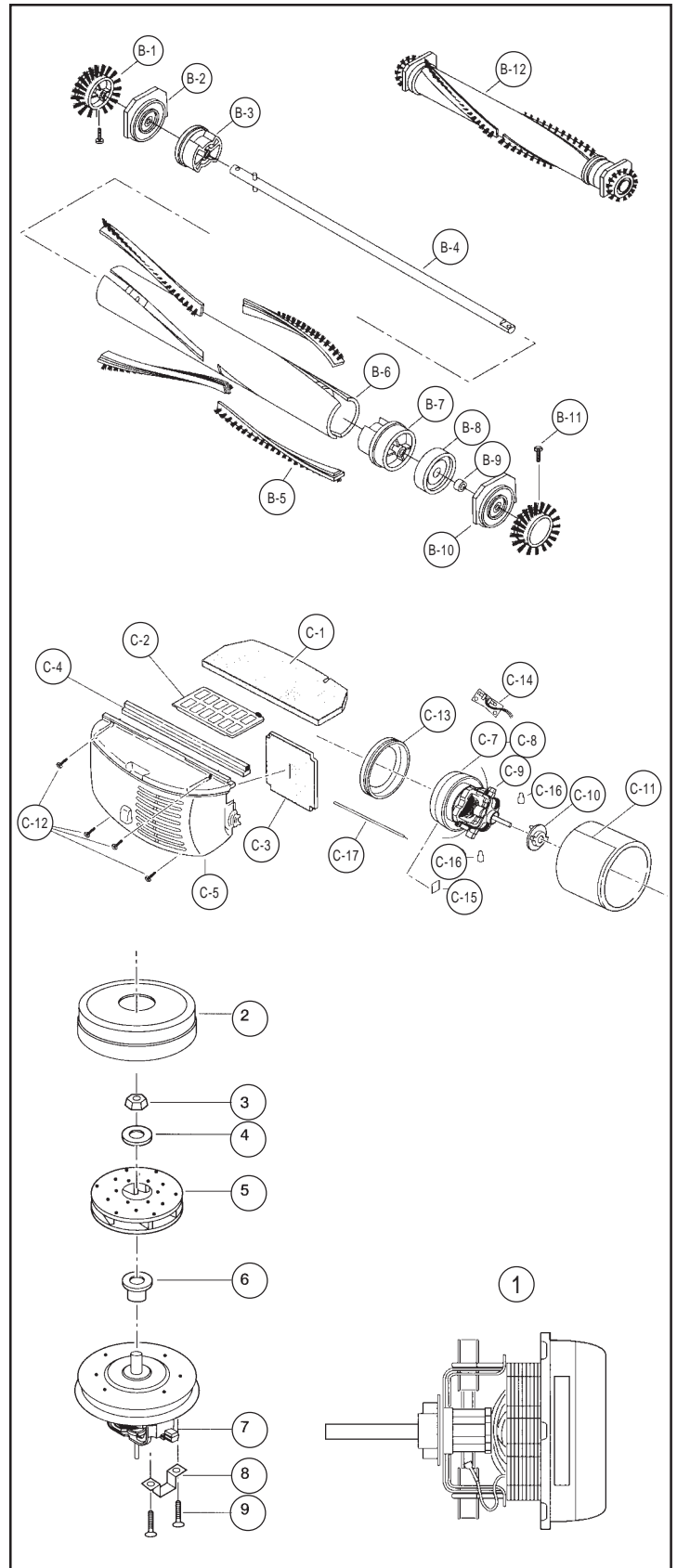
KEY	PART NO.	DESCRIPTION
B-1	NLA	Edge Brush
B-2	P-20530	Agitator Supporter (Right)
B-3	NLA	Agitator Holder
B-4	NLA	Agitator Shaft
B-5	P-22020	Brush (4 Pk)
B-5	<b>PR-2215</b>	<b>Brush Strip, Pair</b>
B-6	P-84R-V10	Agitator Body
B-7	NLA	Agitator Pulley
B-8	P-20560	Idler Pulley
B-9	P-74S-AV0	Spacer
B-10	NLA	Agitator Supporter (Left)
B-11	P-77025	Screw
B-12	NLA	Agitator Ass'y

## PARTS LIST (MOTOR HOUSING)

C-1	P-18035	Secondary Filter
C-1	<b>PR-1810</b>	<b>Secondary Filter</b>
C-2	P-18420	Filter Supporter
C-3	P-02L-AV0	Rear Cover Packing
C-4	P-19F-V30J	Motor Case Support Rubber 6317-6340/6367
C-4	P-19FV0ZKU12	Motor Case Support Rubber, 6357
C-5	NLA	Motor Case, 6347, 6367
C-5	NLA	Motor Case, 6317
C-5	NLA	Motor Case, 6327/6337
C-5	NLA	Motor Case, 6357
C-7	P-60125	Motor Ass'y, 6317/6337/6347/6367
C-8	NLA	Motor Ass'y, 6327/6357
C-9	P-63050	Carbon Brush (Set) U.S. Made
C-9	P-63000	Carbon Brush Non U.S. Made
C-10	P-76930	Motor Support Rubber
C-11	P-99G-AV0	Noise Suppressor
C-12	P-77020	Screw
C-13	P-76925	Motor Support Rubber
C-14	P-95V-F900U	Control Diode, 6327/6357
C-15	P-19A-AV0	Packing, 6327/6357
C-16	<b>SS-3270</b>	<b>Wire Nut</b>
C-17	P-37G-V020U	Wire Cord, 6367

## PARTS LIST (MOTOR)

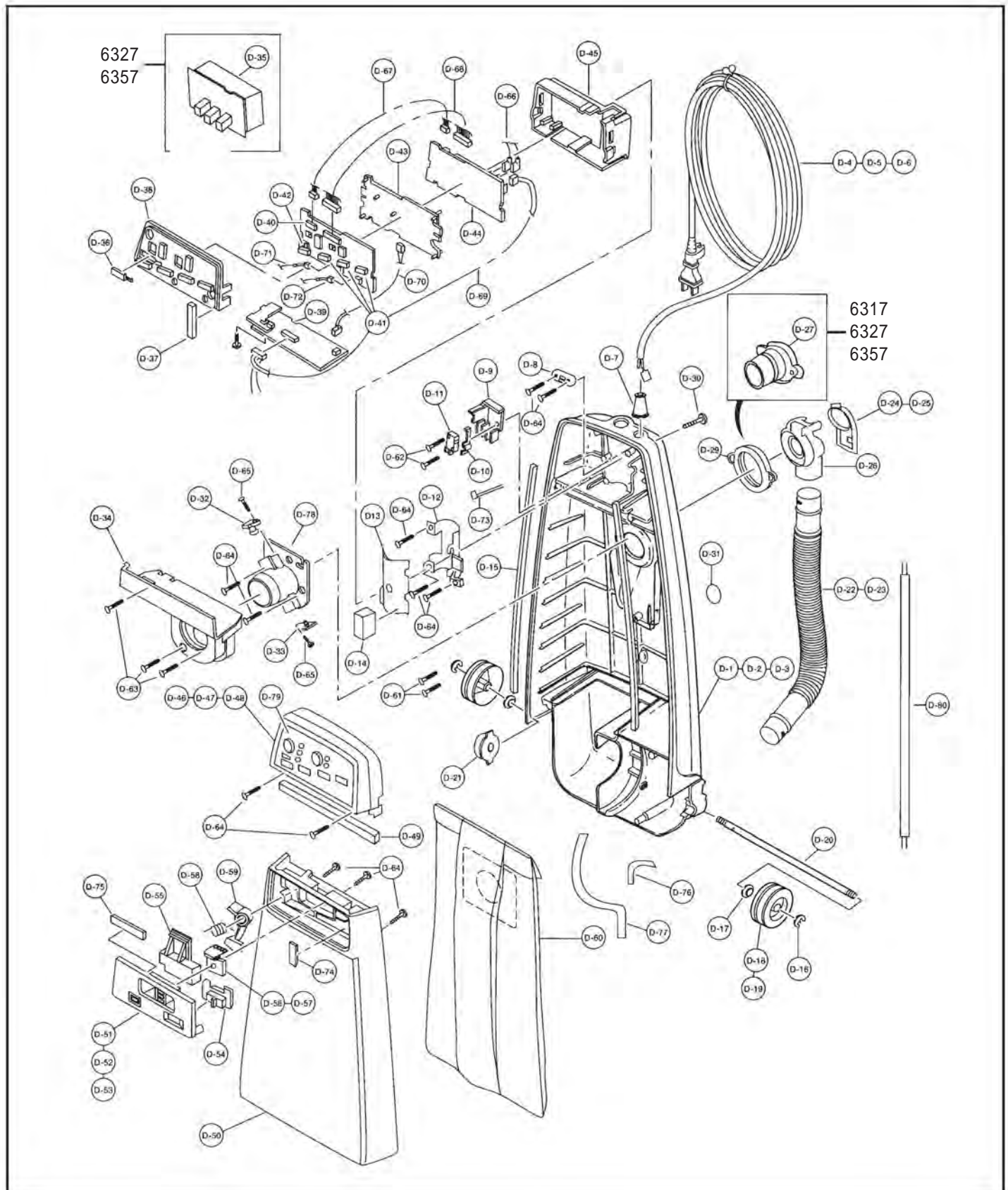
1	P-60111	Motor Ass'y, 6327/6357
1	P-60125	Motor Ass'y, 6317/6337/6347/6367
2	P-53F-AV00U	Fan Case
3	P-33F-AC00U	Nut
4	P-62F-AV00U	Washer
5	P-28525	Fan
6	P-60F-AV00U	Spacer
7	P-63050	Brush Ass'y U.S. Made
8	P-02D-V300U	Bracket
9	P-40D-V300U	Screw



NLA = NO LONGER AVAILABLE

# PANASONIC Original & Replacement

Model 6317, 6327, 6337, 6347, 6357, 6367



# Original & Replacement **PANASONIC**

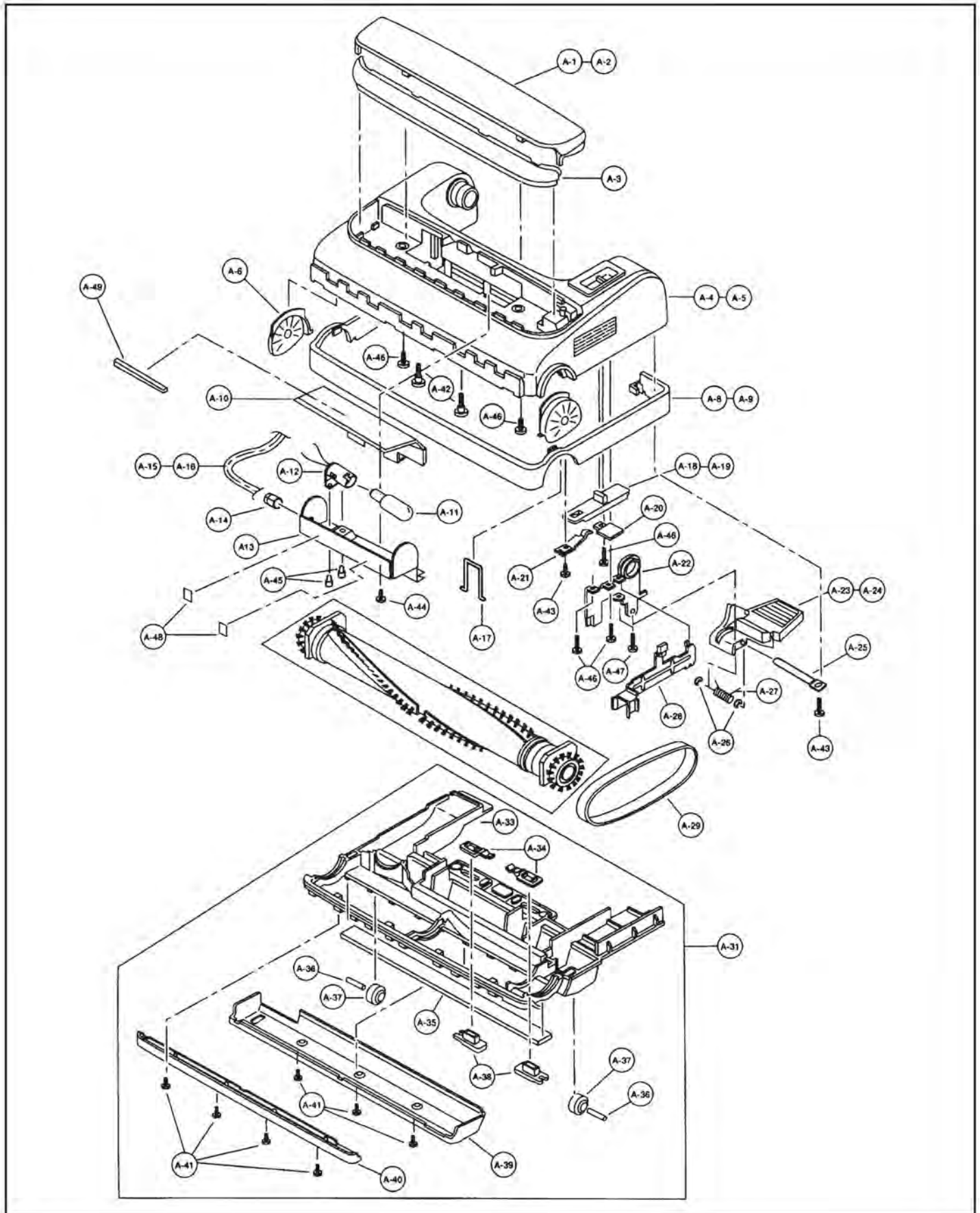
Model 6317, 6327, 6337, 6347, 6357, 6367

## PARTS LIST (DUST COMPARTMENT)

KEY	PART NO.	DESCRIPTION	KEY	PART NO.	DESCRIPTION
D-1	P-75243	Dust Compartment, 6317	D-43	P-34S-AX0	Partition Board, 6337/6367
D-1	P-75244	Dust Compartment, 6327	D-44	P-89V-AX0	P.C.B. AU, 6337/6367
D-1	NLA	Dust Compartment, 6337	D-45	P-44M-AX0	Controller Box, 6337/6367
D-1	P-75262	Dust Compartment, 6347	D-46	P-03E-AV0R	Switch Cover, 6317
D-2	P-75264	Dust Compartment, 6357	D-47	P-03E-AW0V	Switch Cover, 6327
D-3	P-75246	Dust Compartment, 6367	D-48	P-03E-AX0V	Switch Cover, 6337
D-4	P-97E-AV0KU	Power Cord, 6317	D-47	P-03EXXZR011	Switch Cover, 6347
D-4	P-97E-AW0VU	Power Cord, 6327/6337	D-48	P-03EAWZG004	Switch Cover, 6357
D-4	P-30020	Power Cord, 6347	D-46	P-03EAXZR011	Switch Cover, 6367
D-5	P-97EXWZVU00	Power Cord, 6357	D-49	P-73K-AV0K	Dust Box Packing
D-6	P-97EXVZ0U00	Power Cord, 6367	D-50	P-60K-AV0R	Dust Cover, 6317
D-7	P-51E-L00	Cord Bushing	D-50	P-60K-AV0V	Dust Cover, 6327/6337
D-8	P-62E-J20	Cord Stopper	D-50	P-60KXXZR011	Dust Cover, 6347/6367
D-9	P-45E-AV0	Terminal Cover, 6317/6327	D-50	P-60KXXZG004	Dust Cover, 6357
D-9	P-45E-V31	Terminal Cover, 6347/6357	D-51	P-01H-AV0R	Front Cover, 6317
D-10	P-15E-V30	Switch Lever	D-51	P-01HXXZK013	Front Cover, 6347
D-11	P-34150	Main Switch, 6317-6337	D-52	P-01H-AW0K	Front Cover, 6327/6337
D-11	P-98E-F71	Main Switch, 6347-6367	D-52	P-01HXWZV015	Front Cover, 6357
D-12	P-53B-V30	Handle Supporter	D-53	P-01HXWZK013	Front Cover, 6367
D-13	P-69B-V30	Handle Fitting	D-54	P-06M-AV0R	Suction Control Lever, 6317
D-14	P-19H-AX0	Packing, 6337/6367	D-54	P-06MAVZK013	Suction Control Lever, 6347
D-15	P-66K-V30J	Dust Box Packing	D-55	P-08M-AV0	Vac Gauge Window
D-16	P-XUC5FY	E-Clip	D-56	P-01D-AV0R	Knob, 6317
D-17	P-XWG6E115FY	Washer	D-56	P-01DAVZK013	Knob, 6347/6367
D-18	NLA	Roller	D-57	P-01D-AV0K	Knob, 6327/6337
D-19	P-71125	Roller, 6317/6327/6337/6357/6347/6367	D-57	P-01DAVZV015	Knob, 6357
D-20	NLA	Roller Shaft	D-58	P-04M-AV0	Indicator Spring
D-21	P-25S-V31W	Plastic Shaft	D-59	P-03M-AV0R	Indicator Needle
D-22	NLA	Nozzle Hose, 6317	D-60	P-MC115P	Dust Bag (Paper) 3 Pk
D-22	NLA	Nozzle Hose, 6327/6337	D-60	<b>PR-1471</b>	<b>Paper Bag U/U3 3 Pk</b>
D-22	P-73647	Nozzle Hose, 6347/6367	D-61	P-70020	Screw (Suction Inlet)
D-23	P-73647	Nozzle Hose, 6357	D-62	P-77030	Screw (Main Switch)
D-24	NLA	Cover, 6317	D-63	P-XTN4+14B	Screw (Fin Cover), 6337/6367
D-24	P-02H-F70J	Cover, 6327/6337	D-64	P-77020	Screw (Handle Supporter)
D-24	P-02H-F70K	Cover, 6347/6367	D-64	P-77020	Screw (Switch Cover)
D-25	P-02HF71V015	Cover, 6357	D-64	P-77020	Screw (Cord Stopper)
D-26	P-60H-F709	Suction Inlet, 6317	D-64	P-77020	Screw (Dust Cover)
D-26	P-75680	Suction Inlet, 6327/6337/6347/6367	D-64	P-77020	Screw
D-26	P-60HF72V015	Suction Inlet, 6357	D-65	P-XTN3+8B	(Bag Supporter Unit), 6367
D-27	NLA	Suction Inlet Packing, 6337/6347/6367	D-66	P-85G-AX00U	Screw (Sensor), 6337/6367
D-29	P-75415	Suction Inlet Packing, 6317/6327/6357	D-67	P-68V-AX0	Lead Wire, 6337/6367
D-30	P-77045	Handle Screw	D-68	P-67V-AX0	Lead Wire, 6337/6367
D-31	P-05T-F70Q	Sticker	D-69	P-72V-AX0	Lead Wire, 6337/6367
D-32	P-81V-AX0	P.C.B. EU, 6337/6367	D-70	P-69V-AX0	Lead Wire, 6337/6367
D-33	P-87V-AX0	P.C.B. DU, 6337/6367	D-71	P-71V-AX0	Lead Wire, 6337/6367
D-34	P-28M-AX0K	Fin Cover, 6337/6367	D-72	P-70V-AX0	Lead Wire, 6337/6367
D-35	P-89E-AW00U	Power Control Switch, 6327	D-73	P-44G-V00	Lead Wire, 6367
D-35	P-34020	Power Control Switch, 6357	D-74	P-74K-AX0U	Packing, 6327/6337/6357/6367
D-36	P-04E-AX0K	Sensor Knob, 6337/6367	D-75	P-04H-AV0	Packing
D-37	P-61L-AX0	Packing, 6337/6367	D-76	P-39A-AV0	Packing
D-38	P-33M-AX0	LED Window, 6337/6367	D-77	P-40A-AV0	Packing
D-39	P-88V-AX0	P.C.B. CU, 6337/6367	D-78	P-10K-AX0K	Bag Supporter Unit
D-40	P-85V-AX0	P.C.B. BU, 6337/6367	D-79	P-21TXXZ0U00	Ornamental Plate, 6347
D-41	P-LN0202RP8	LED (Red), 6337/6367	D-79	P-21TXWZ0U00	Ornamental Plate, 6357
D-42	P-LN0202GP3	LED (Green), 6337/6367	D-79	P-21TXVZ0U00	Ornamental Plate, 6367
			D-80	P-38G-V30	Wire Cord, 6347

# PANASONIC Original & Replacement

Model 6317, 6327, 6337, 6347, 6357, 6367



# Original & Replacement **PANASONIC**

Model 6317, 6327, 6337, 6347, 6357, 6367

## PARTS LIST (NOZZLE HOUSING)

KEY	PART NO.	DESCRIPTION
A-1	P-24H-AV0R	Window Cover, 6317
A-1	P-24HXXZV015	Window Cover, 6357
A-2	P-24H-AV0K	Window Cover, 6327/6337
A-2	P-24HXXZK013	Window Cover, 6347/6367
A-3	P-21H-AV0	Window
A-4	P-73090	Nozzle Housing, 6317
A-4	P-73050	Nozzle Housing, 6357
A-5	NLA	Nozzle Housing, 6327/6337
A-5	P-73084	Nozzle Housing, 6347/6367
A-6	P-01Q-AV0R	Edge Brush Cover, 6317
A-6	P-01Q-AV0K	Edge Brush Cover, 6327/6337
A-6	P-01Q-AVZ00C	Edge Brush Cover, 6347-6367
A-8	P-74041	Furniture Guard, 6317
A-8	P-10A-AV0K	Furniture Guard, 6327/6337
A-8	P-74042	Furniture Guard, 6347/6367
A-9	P-74043	Furniture Guard, 6357
A-10	P-84H-AV0	Reflector
A-11	<b>FA-3500</b>	<b>Bulb, 25 Watt</b>
A-12	P-93H-F800U	Bulb Socket
A-13	P-85H-AV0	Bulb Supporter
A-14	P-58E-V30	Wire Bushing
A-15	P-37G-V30	Wire Cord, 6317/6327/6347/6357
A-16	P-36G-AX00U	Wire Cord, 6337/6367
A-17	P-43S-AV0	Belt Cover
A-18	P-18R-AV0R	Selector Lever, 6317
A-18	P-18R-AVZK013	Selector Lever, 6347/6367
A-19	P-18R-AV0K	Selector Lever, 6327/6337
A-19	P-18R-AVZV015	Selector Lever, 6357
A-20	P-59D-AV0	Lever Support
A-21	P-73864	Selector Spring
A-22	P-43A-AV0	Frame
A-23	P-47A-V30S	Pedal, 6317
A-23	P-47A-V30K	Pedal, 6347/6367
A-24	P-73726	Pedal, 6327/6337
A-24	P-47A-V30U	Pedal, 6357
A-25	P-73741	Pedal Shaft
A-26	P-77110	E-Clip
A-27	P-77207	Pedal Spring
A-28	P-73747	Guide Lever
A-29	P-MC260B	Belt UB4 2 Pk
A-31	NLA	Lower Plate Ass'y
A-33	P-76052	Lower Plate
A-34	P-76870	Stop Latch Spring
A-35	P-74A-AV0	Packing
A-36	P-71380	Roller Shaft
A-37	P-76841	Nozzle Roller
A-38	P-76416	Latch
A-39	P-61A-AV0	Fitting Plate (Rear)
A-40	P-60A-AV0	Fitting Plate (Front)
A-41	P-XTS3+10BFY	Screw (Lower Plate)
A-42	P-68A-V30	Screw (Nozzle Housing)
A-43	P-77020	Screw (Selector Spring), 6317-6337
A-43	P-77030	Screw (Selector Spring), 6347-6367
A-43	P-77020	Screw (Pedal Shaft), 6317-6337
A-43	P-77030	Screw (Pedal Shaft), 6347-6367
A-44	P-77020	Screw (Bulb Supporter)
A-45	P-XYN3+C6F	Screw (Bulb Socket)
A-46	P-77030	Screw (Frame)
A-46	P-77030	Screw (Window Cover)

NLA = No Longer Available

KEY	PART NO.	DESCRIPTION
A-46	P-77030	Screw (LeverSupport)
A-47	P-26A-V30	Screw (Frame)
A-48	P-76125	Packing
A-49	P-70A-AV0	Packing

## PARTS LIST (HANDLE)

KEY	PART NO.	DESCRIPTION
E-1	P-70261	Handle Grip (Right)
E-1	NLA	Handle Grip (Right)
E-2	NLA	Handle Grip (Right)
E-2	P-22BV3ZV015	Handle Grip (Right), 6357
E-3	NLA	Handle Grip (Right), 6367
E-4	P-70272	Handle Grip (Left), 6317
E-4	P-70262	Handle Grip (Left), 6347
E-5	P-70294	Handle Grip (Left), 6327/6337
E-5	NLA	Handle Grip (Left), 6357
E-6	NLA	Handle Grip (Left), 6367
E-7	NLA	Upper Cord Hook, 6317
E-7	P-70825	Upper Cord Hook, 6347/6367
E-8	NLA	Upper Cord Hook, 6327/6337
E-8	P-53EV3ZV015	Upper Cord Hook, 6357
E-9	P-77200	Cord Hook Spring
E-10	P-77120	Handle Washer
E-11	P-93D-AV00U	Switch Window, 6317
E-11	P-93D-XXZK013	Switch Window, 6347/6367
E-12	P-93D-9G00U	Switch Window, 6327/6337
E-12	P-93D-XXZV015	Switch Window, 6357
E-13	NLA	Switch Knob, 6317-6347/6367
E-14	P-69G-V31V015	Switch Knob, 6357
E-15	P-73885	Handle Lever
E-16	NLA	Handle
E-17	P-70875	Lower Cord Hook, 6317
E-18	P-70885	Lower Cord Hook, 6327/6337/6347/6367
E-18	P-54E-V3ZV015	Lower Cord Hook, 6357
E-19	P-77030	Screw

