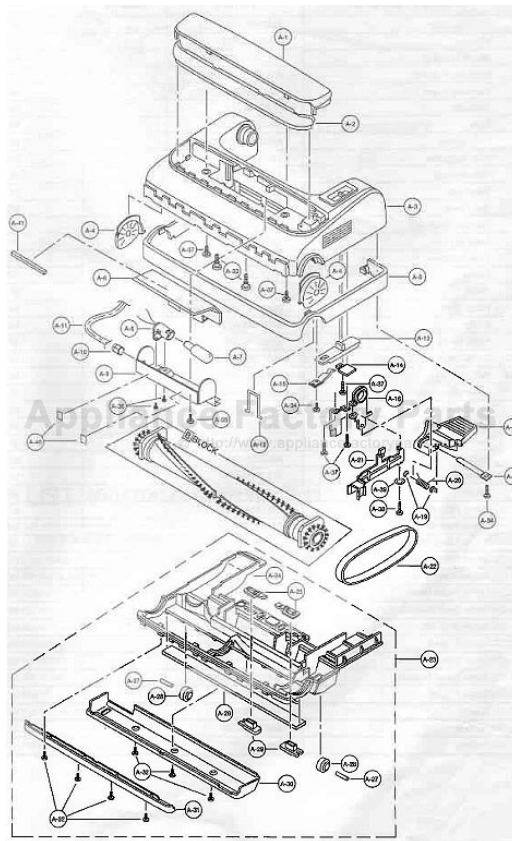


This Owner's Manual is provided and hosted by [Appliance Factory Parts](#).



PANASONIC MC-6377 Owner's Manual

[Shop genuine replacement parts for PANASONIC
MC-6377](#)



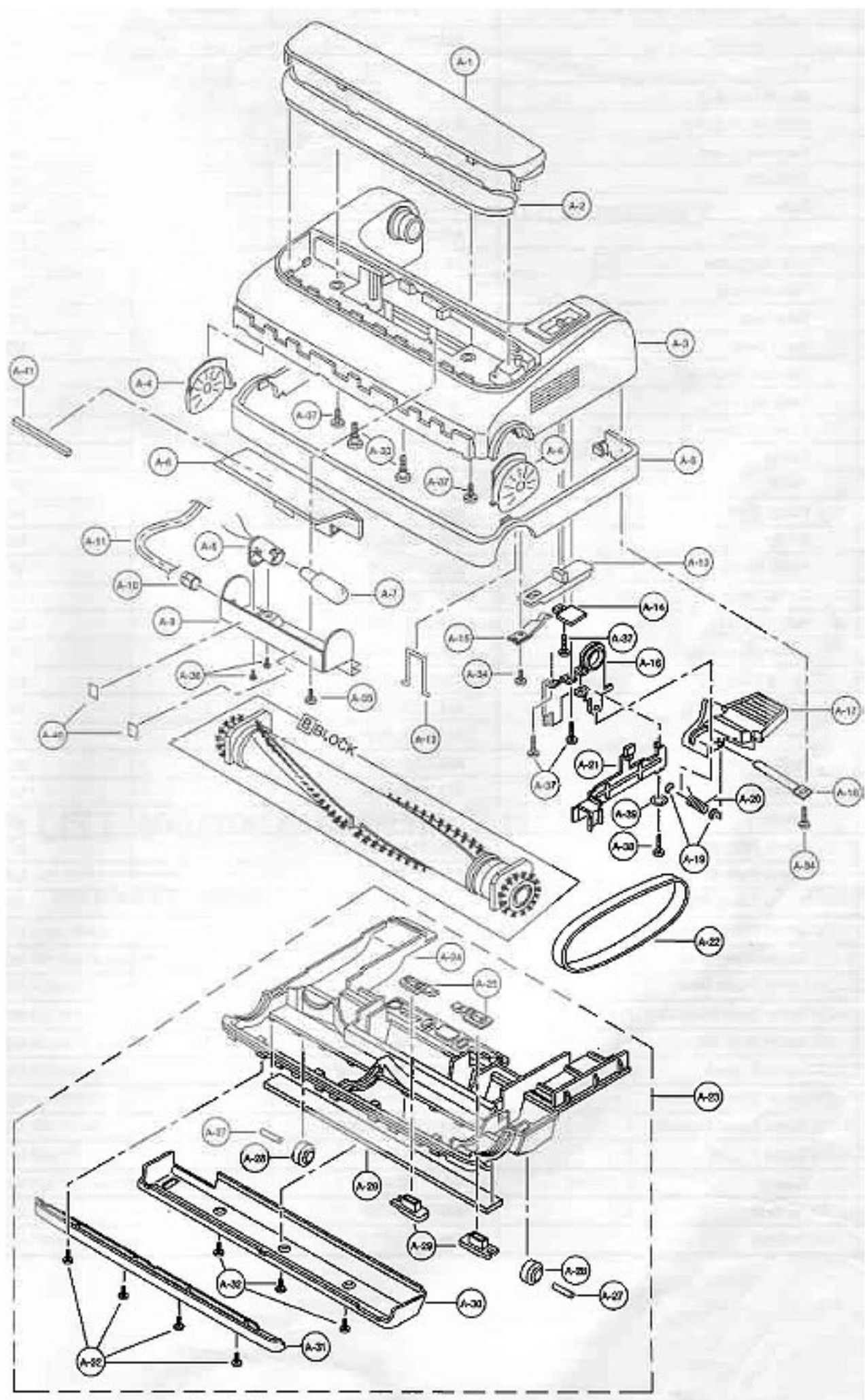
[Find Your PANASONIC Vacuum Cleaner Parts - Select From 665 Models](#)

----- Manual continues below part list -----

Available Replacement Parts for PANASONIC MC-6377

AMC01C-V00U	Roller (Wheel).
MC-260B	BELT, 2 PACK
AMC32K-V00	SUPPORT, FILTER

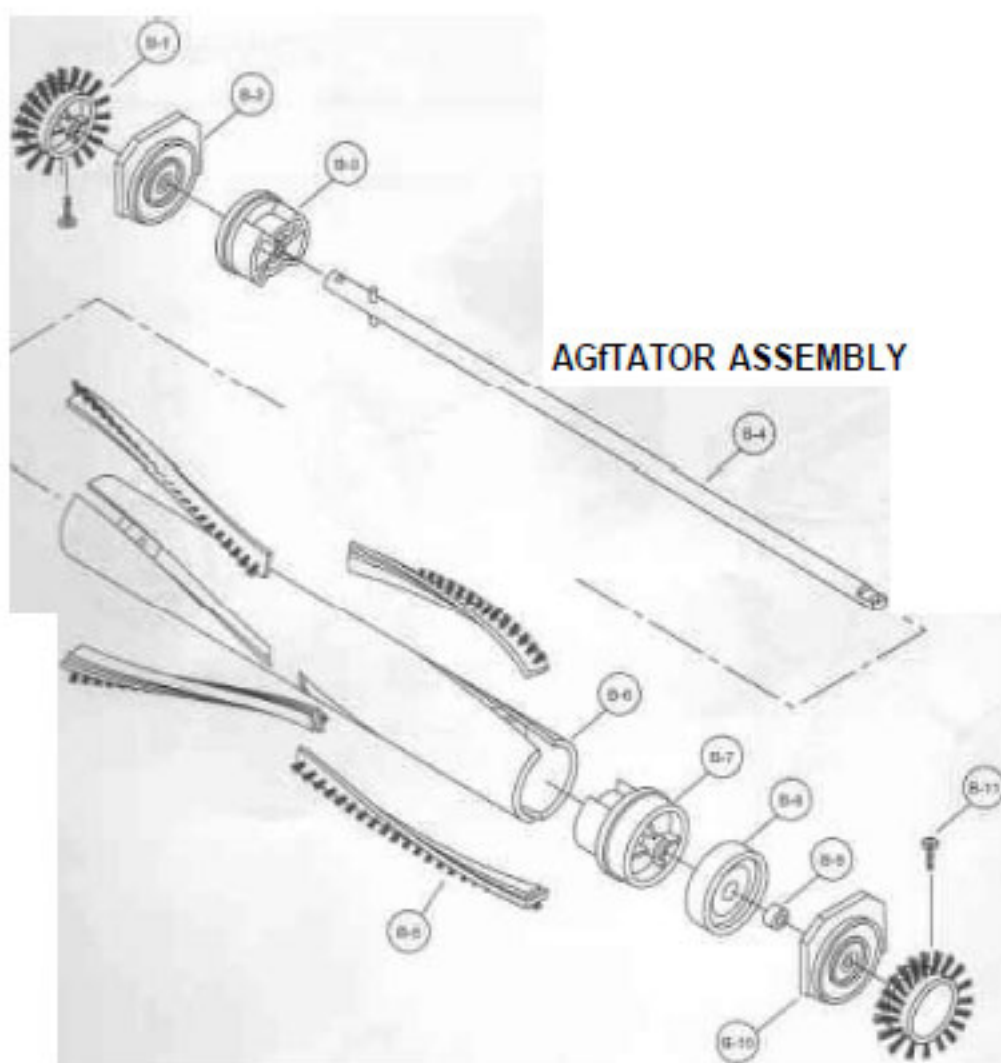
EXPLODED VIEW (NOZZLE HOUSING)... H BLOCK



■ PARTS LIST (NOZZLE HOUSING)... [A] BLOCK

Ref. No.	Part Name & Description	Part No.	Quantity	Remarks
A- 1	Window Cover	AMC24H-PDZKU13	1	MC-6377
A- 2	Window	AMC21H-AV0	1	MC-6377
A- 3	Nozzle Housing	AMC01A-AV1R011	1	MC-6377
A- 4	Edge Brush Cover	AMC01Q-AVZ00C		MC-6377
A- 5	Furniture Guard	AMC10A-AVZK013	1	MC-6377
A- 6	Reflector	AMC94H-AV0	1	MC-6377
A- 7	Bulb	AMC28G-F100U	1	MC-6377
A- 8	Bulb Socket	AMC93H-F800U	1	MC-6377
A- 9	Bulb Supporter	AMC85H-AV0	1	MC-6377
A-10	Wire Bushing	AMC58E-V30	1	MC-6377
A- 11	Wire Cord	AMC37G-V30	1	MC-6377
A-12	Belt Cover	AMC43S-AV0	1	MC-6377
A- 13	Selector Lever	AMC18R-AVZK013	1	MC-6377
A- 14	Lever Support	AMC59D-AV0	1	MC-6377
A-15	Selector Spring	AMC24R-AV0	1	MC-6377
A-16	Frame	AMC43A-AV0	1	MC-6377
A- 17	Pedal	AMC47A-V30U	1	MC-6377
A- 18	Pedal Shaft	AMC51A-V30	1	MC-6377
A- 19	E-Clip	AMC-XUC4FY		MC-6377
A- 20	Pedal Spring	AMC58A-V30	1	MC-6377
A- 21	Guide Lever	AMC75N-AV100	1	MC-6377
A-22	Belt	AMC28S-AV0	1	MC-6377
A-23	Lower Plate Assembly	AMC91A-AV0V	1	MC-6377
A-24	Lower Plate	AMC27A-AV0V	1	MC-6377
A-25	Stop Latch Spring	AMC70N-V30		MC-6377
A- 26	Packing	AMC74A-AV0	1	MC-6377
A-27	Roller Shaft	AMC39R-Q60	1	MC-6377
A- 28	Nozzle Roller	AMC90R-C90	1	MC-6377
A-29	Latch	AMC68N-AV0K		MC-6377
A-30	Fitting Plate (Rear)	AMC61A-AV0		MC-6377
A-31	Fitting Plate (Front)	AMC60A-AV0	1	MC-6377
A-32	Screw (Lower Plate)	AMC-XTS3+10BFY	7	MC-6377
A-33	Screw (Nozzle Housing)	AMC68A-V30	2	MC-6377
A-34	Screw (Selector Spring)	AMC-XTN4+20BFY	1	MC-6377
	Screw (Pedal Shaft)	AMC-XTN4+20BFY	1	MC-6377
A-35	Screw (Bulb Supporter)	AMC-XTN4+16BFY	1	MC-6377
A-36	Screw (Bulb Socket)	AMC-XTN3+9BFY	2	MC-6377
A-37	Screw (Frame)	AMC-XTN4+20BFY	2	MC-6377
	Screw (Window Cover)	AMC-XTN4+20BFY	2	MC-6377
	Screw (Lever Support)	AMC-XTN4+20BFY	1	MC-6377
A-38	Screw (Frame)	AMC26A-V30		MC-6377
A-39	Washer	AMC-XWA5BFY	1	MC-6377
A-40	Packing	AMC19A-AV0	2	MC-6377
A-41	Packing	AMC70A-AV0	1	MC-6377

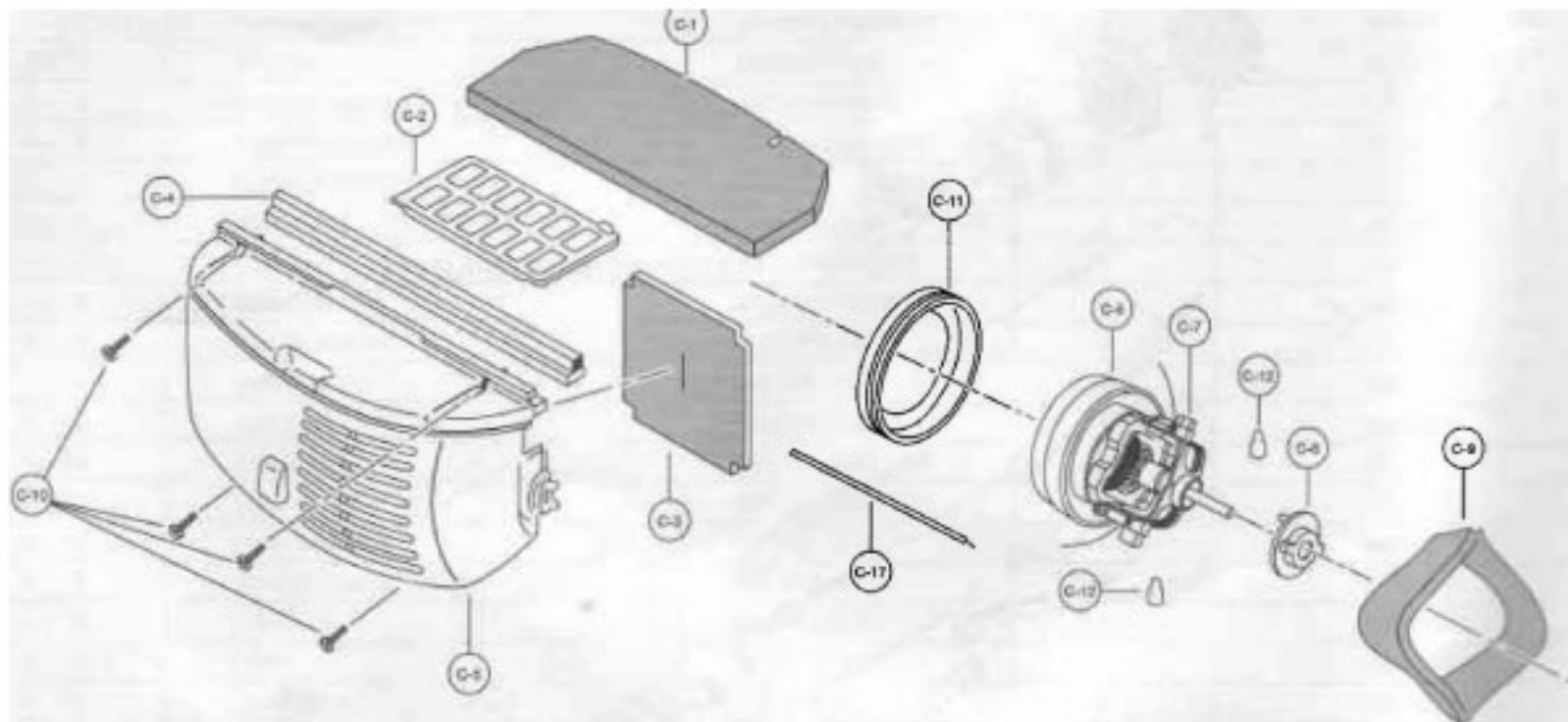
EXPLODED VIEW (AGITATOR ASSEMBLY)... [B] BLOCK



PARTS LIST (AGITATOR ASSEMBLY)... [B] BLOCK

Ref. No.	Part Name & Description	Part No.	Quantity	Remarks
B - 1	Edge Brush	AMC86R-AV0	2	MC-6377
B - 2	Agitator Supporter (Right)	AMC31S-AV0U	1	MC-6377
B - 3	Agitator Holder	AMC92R-AV0	1	MC-6377
B - 4	Agitator Shaft	AMC57R-AV0	1	MC-6377
B - 5	Brush (4 pes.)	AMC85R-V1004		MC-6377
B - 6	Agitator Body	AMC84R-V10		MC-6377
B - 7	Agitator Pulley	AMC29S-AV0U	1	MC-6377
B - 8	Idle Pulley	AMC90S-AV0	1	MC-6377
B - 9	Spacer	AMC74S-AV0	1	MC-6377
B - 10	Agitator Supporter (Left)	AMC32S-AV0U	1	MC-6377
B - 11	Screw	AMC-XTN3+16FFY	2	MC-6377
B - 12	Agitator Assembly	AMC92S-AV0	1	MC-6377

EXPLODED VIEW (MOTOR UNIT)... [C] BLOCK



PARTS LIST (MOTOR UNIT)... [C] BLOCK

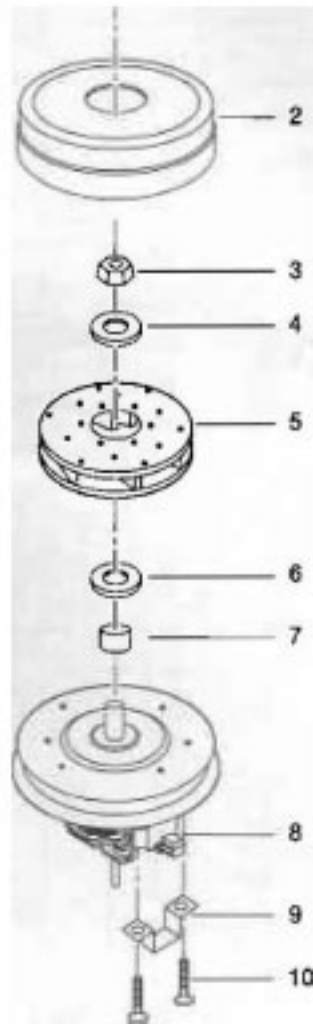
Ref. No.	Part Name & Description	Part No.	Quantity	Remarks
C - 1	Secondary Filter (Electrostatic)	AMC30K-PDZ0000	1	MC-6377
C - 2	Filter Supporter	AMC32K-V00	1	MC-6377
C - 3	Rear Cover Packing	AMC02L-AV0	1	MC-6377
C - 4	Motor Case Support Rubber	AMC19F-V30J	1	MC-6377
C - 5	Motor Case	AMC09F-AV1R011	1	MC-6377
C - 6	Fan Motor Unit	AMC92F-URZ0U00	1	MC-6377
C - 7	Carbon Brush (Set)	AMC27F-URZ0000	1 (Set)	MC-6377
C - 8	Motor Support Rubber (Rear)	AMC03F-L00	1	MC-6377
C - 9	Noise Suppressor	AMC99G-AV0	1	MC-6377
C - 10	Screw	AMC-XTN4+16BFY	4	MC-6377
C - 11	Motor Support Rubber (Front)	AMC02F-D40	1	MC-6377
C - 12	Wire Nut	AMC-1CTCE23	2	MC-6377

EXPLODED VIEW (FOR U.S.A. MOTOR – MC-6377)

NOTICE: FAN ASSEMBLY SERVICE

The Fan Assembly Parts in this model are somewhat different than previous models. The Washer #6 in the exploded view and the Spacer #7 are two separate parts.

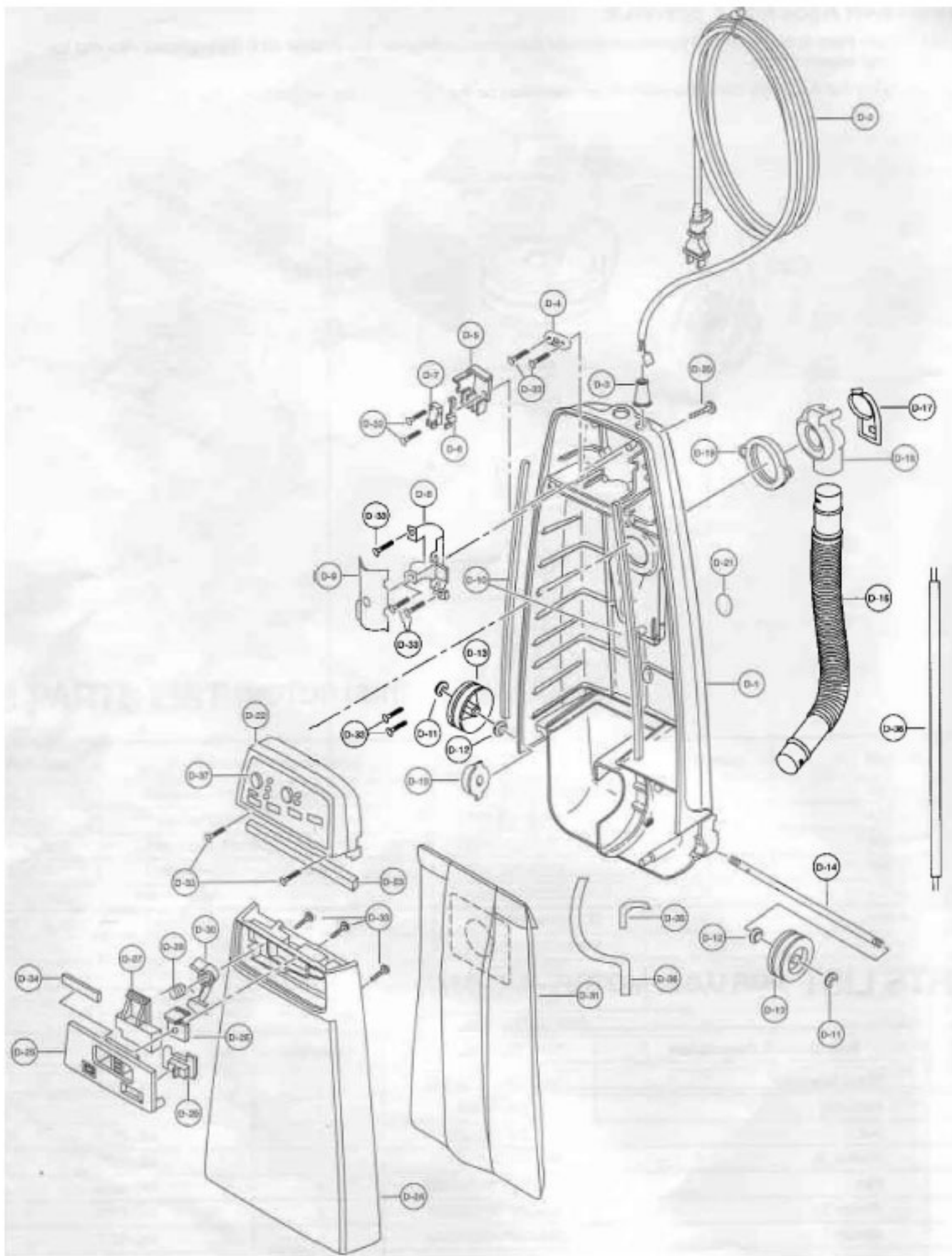
When servicing the Fan Assembly follow the instructions referenced on the front of this Supplement.



PARTS LIST (FOR U.S.A. MOTOR – MC-6377)

Ref. No.	Part Name & Description	Part No.	Quantity	Remarks
1	Motor Assembly	AMC92F-URZ0U00	1	MC-6377
2	Fan Case	AMC53F-AV00U	1	MC-6377
3	Nut	AMC33F-AC00U	1	MC-6377
4	Washer (a)	AMC62F-AV00U	1	MC-6377
5	Fan	AMC98F-URZ0000	1	MC-6377
6	Washer (b)	AMG62F-RFZ000G	1	MC-6377
7	Spacer	AMC60F-RFZ0000	1	MC-6377
8	Brush Assembly	AMC27F-URZ0000	1 (Set)	MC-6377
9	Bracket	AMC02D-V300U	2	MC-6377
10	Screw	AMC40D-V300U	2	MC-6377

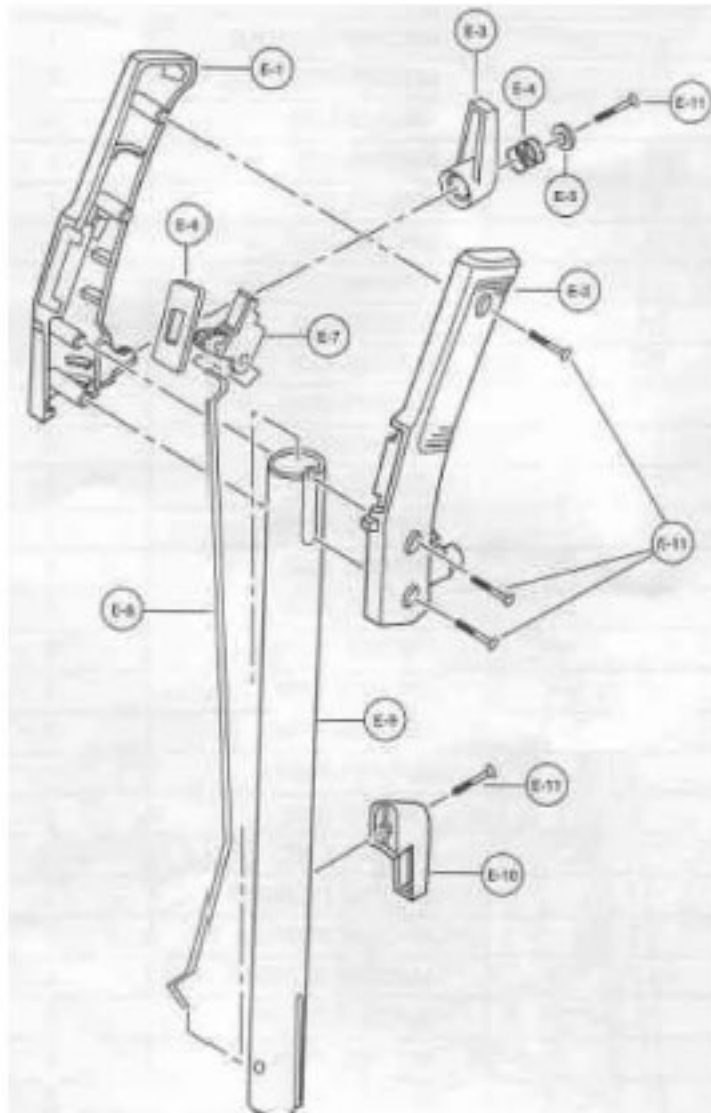
• **EXPLODED VIEW (DUST COMPARTMENT)... IB BLOCK**



PARTS LIST (DUST COMPARTMENT)... **D** BLOCK

Ref. No.	Part Name & Description	Part No.	Quantity	Remarks
D- 1	Dust Compartment	AMC40K-ZJZKU13	1	MC-6377
D- 2	Power Cord	AMC97E -PD10000	1	MC-6377
D- 3	Cord Bushing	AMC51E-L00	1	MC-6377
D- 4	Core Stopper	AMC62E-J20	1	MC-6377
D- 5	Terminal Cover	AMC45E-V31	1	MC-6377
D- 6	Switch Lever	AMC15E-V30	1	MC-6377
D- 7	Main Switch	AMC98E-F720000	1	MC-6377
D- 8	Handle Supporter	AMC53B V30	1	MC-6377
D- 9	Handle Fitting	AMC69B-V30	1	MC-6377
D - 10	Dust Box Packing	AMC66K-V30J	2	MC-6377
D- 11	E-Clip	AMC-XUC5FY	2	MC-6377
D - 12	Washer	AMC-XWG6E115FY	2	MC-6377
D ~ 13	Roller	AMC01C-V00U	2	MC-6377
D - 14	Roller Shaft	AMC16C-V30	1	MC-6377
D - 15	Plastic Shaft	AMC25S-V31W	1	MC-6377
D - 16	Nozzle Hose	AMC34P-V01K013	1	MC-6377
D- 17	Cover	AMC02H-F70K	1	MC-6377
D- 18	Suction Inlet	AMC60H-F70K	1	MC-6377
D- 19	Suction Inlet Packing	AMC64H-9G00U	1	MC-6377
D - 20	Handle Screw	AMC73B-V30	1	MC-6377
D - 21	Sticker	AMC05T-F70Q	1	MC-6377
D - 22	Switch Cover	AMC03E-PDZR011	1	MC-6377
D-23	Switch Cover Packing	AMC73K-V3ZKU12	1	MC-6377
D-24	Dust Cover	AMC60K-XXZR011	1	MC-6377
D - 25	Front Cover	AMC01H-XXZK013	1	MC-6377
D-26	Switch Lever	AMC06M-AVZK013	1	MC-6377
D - 27	Indicator Window	AMC06M-AV0	1	MC-6377
D - 28	Release Button	AMC01D-AVZK013	1	MC-6377
D - 29	Indicator Spring	AMC04M-AV0	1	MC-6377
D - 30	Indicator Lead	AMC03M-AV0R	1	MC-6377
D - 31	Dust Bag (Paper)	AMC93K-AV0	1	MC-6377
D-32	Screw (Man Switch)	AMC-XTN3+20BFY	2	MC-6377
D - 33	Screw (Handle Supporter)	AMC-XTN4+16BFY	3	MC-6377
	Screw (Switch Cover)	AMC-XTN4+16BFY	2	MC-6377
	Screw (Cord Stopper)	AMC-XTN4+16BFY	2	MC-6377
	Screw (Dust Cover)	AMC-XTN4+16BFY	3	MC-6377
	Screw (Suction Inlet)	AMC-XTN4+16BFY	2	MC-6377
D - 34	Packing	AMC04H-AV0	1	MC-6377
D-35	Packing	AMC39A-AV0	1	MC-6377
D-36	Packing	AMC40A-AV0	1	MC-6377
D - 37	Ornamental Plate	AMC21T-PDZ0U00	1	MC-6377
D - 38	Wire Cord	AMC38G-PDZ0000	1	MC-6377

EXPLODED VIEW (HANDLE)... [E] BLOCK



PARTS LIST (HANDLE)... [E] BLOCK

Ref. No.	Part Name & Description	Part No.	Quantity	Remarks
E- 1	Handle Grip (Right)	AMC22B-V3ZK013	1	MC-6377
E- 2	Handle Grip (Left)	AMC23B-V3ZK013	1	MC-6377
E- 3	Upper Cord Storage Hook	AMC53E-V3ZK013	1	MC-6377
E- 4	Cord Hook Spring	AMC76N-F70	1	MC-6377
E- 5	Handle Washer	AMC58B-F70	1	MC-6377
E- 6	Switch Window	AMC93D-XXZK013	1	MC-6377
E- 7	Switch Knob	AMC69G-V30	1	MC-6377
E- 8	Handle Lever	AMC60B-V30	1	MC-6377
E- 9	Handle	AMC64B-V30	1	MC-6377
E -10	Lower Cord Storage Hook	AMC54E-V3ZK013	1	MC-6377
E -11	Screw	AMC-XTN4+20BFY	5	MC-6377