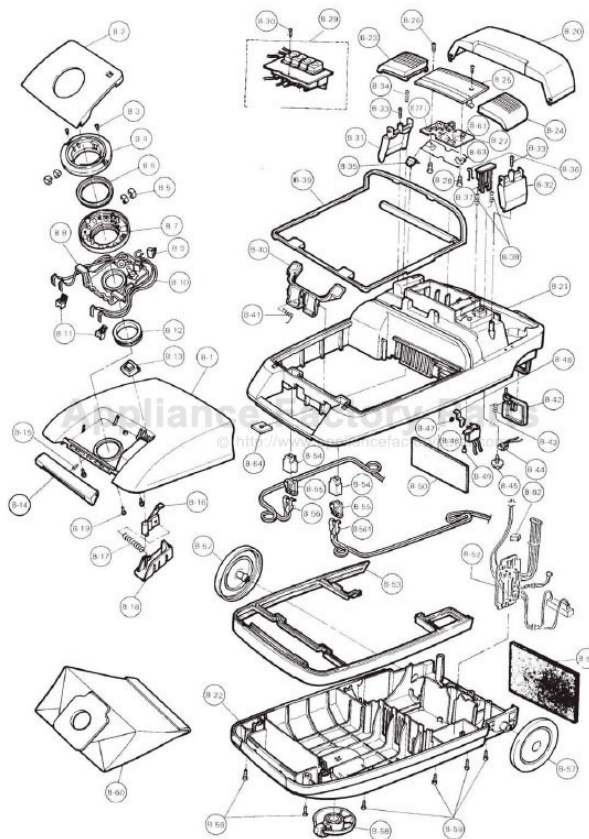


This Owner's Manual is provided and hosted by [Appliance Factory Parts](#).



PANASONIC MC-9540 Owner's Manual

[Shop genuine replacement parts for PANASONIC
MC-9540](#)



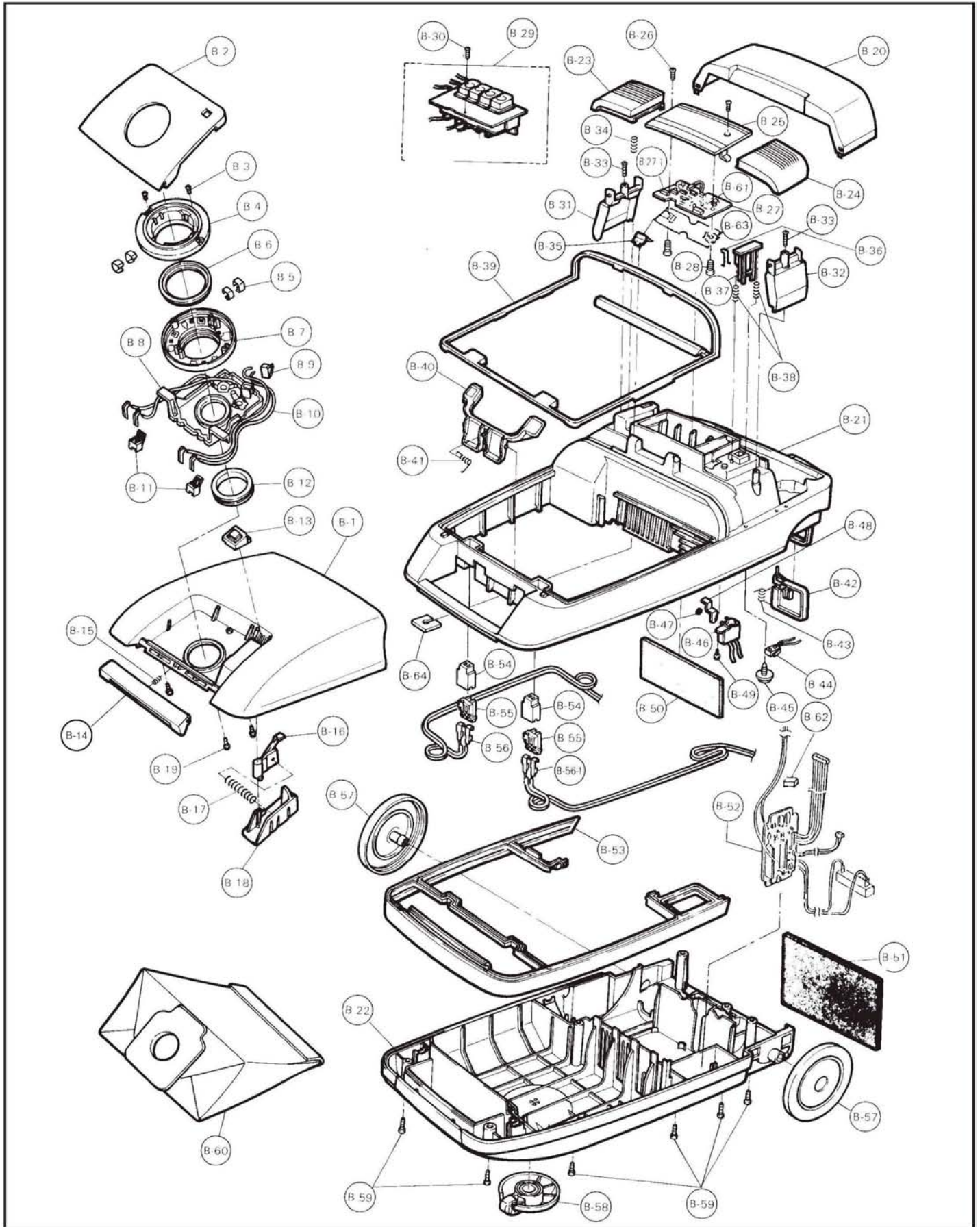
[Find Your PANASONIC Vacuum Cleaner Parts - Select From 605 Models](#)

----- Manual continues below -----

PANASONIC

Original & Replacement

Model 9510, 9520, 9527, 9530, 9537, 9540



Original & Replacement **PANASONIC**

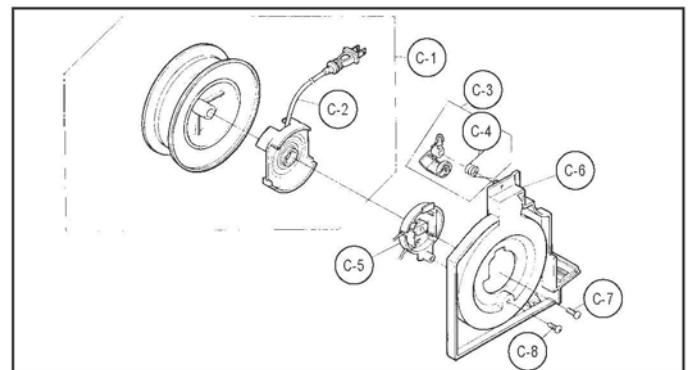
PARTS LIST (BODY UNIT)

Model 9510, 9520, 9527, 9530, 9537, 9540

| KEY | PART NO. | DESCRIPTION | KEY | PART NO. | DESCRIPTION |
|--------|-------------|-----------------------------------|--------|----------------|---------------------------------|
| B-1 | P-60K-4P0VU | Dust Cover, 9527/9537 | B-43 | P-33L-4P0 | Spring (Blower Cover) |
| B-1 | P-60K-4P0JU | Dust Cover, 9510/9520/9530/9540 | B-44 | P-AH16829 | Blower Switch, |
| B-2 | P-25K-4P0VU | Front Cover, 9527/9537 | | | 9510/9520/9530/9540 |
| B-2 | P-25K-4P0J | Front Cover, 9510/9520/9530 | B-45 | P-38N-4S0 | Screw (Blower Switch), |
| B-2 | P-25K-4P0JU | Front Cover, 9540 | | | 9510/9520/9530/9540 |
| B-3 | P-XTN35+12B | Screw (Connection Upper) | B-46 | P-34153 | ON/OFF Switch |
| B-4 | P-60H-4P0K | Connection Upper | B-47 | P-XLPMC4 | Push Nut |
| B-5 | NLA | Terminal (Connection Upper) | B-48 | P-93D-4P0R0 | Switch Indicator |
| B-6 | P-75940 | Hose Fitting Rubber | B-49 | P-38N-740 | Screw (ON/OFF Switch) |
| B-7 | P-75935 | Connection Lower | B-50 | P-18060 | Rear Filter |
| B-8 | P-39W-4P0L | Contact Base, 9527/9537 | B-51 | P-18055 | Filter, 9510-9527 |
| B-8 | P-39W-4P0 | Contact Base, 9510/9520/9530/9540 | B-51 | P-18057 | Filter, 9530-9540 |
| B-9 | P-AV3242619 | ON/OFF Sub-Switch, | B-52 | P-89V-4S0 | PCB (A), 9540 |
| | | 9510/9520/9530/9540 | B-53 | P-31A-4P0U | Furniture Guard, 9527/9537 |
| B-10 | P-34500 | Terminal W/Lead Wire, | B-53 | P-31A-4P0K0 | Furniture Guard, |
| | | 9510/9520/9530/9540 | | | 9510/9520/9530/9540 |
| B-11 | P-45E-4P0K | Terminal Holder | B-54 | P-39D-4P0K | Terminal Holder |
| B-12 | P-19K-4P0 | Dust Bag Fitting (Rubber) | B-55 | P-77B-4P0K | Mounting Terminal Plate |
| B-13 | P-08M-4P000 | Window, 9510-9537 | B-56 | P-66A-4P00U | Terminal W/Lead Wire, 9510-9537 |
| B-13 | P-08M-4S0J | Front Cover Lid, 9540 | B-56 | P-66A-4S00U | Terminal W/Lead Wire, 9540 |
| B-14 | P-17M-4P0V | Dust Cover Catch, 9527/9537 | B-56-1 | P-67A-4S00U | Terminal W/Lead Wire, 9540 |
| B-14 | P-75300 | Dust Cover Catch, | B-57 | P-71330 | Wheel 4 1/2" Diameter |
| | | 9510/9520/9530/9540 | B-58 | NLA | Caster |
| B-15 | P-77212 | Spring (Dust Cover Catch) | B-59 | P-77030 | Screw (Ftr Lower Body) |
| B-16 | P-03M-4P0R | Indicator | B-60 | P-MC125P | Dust Bag (Paper 3 pcs.) |
| B-17 | P-04M-4P0 | Spring (Indicator), 9510 | B-60 | PR-1425 | Paper Bag, Type C3 3 Pk |
| B-17 | P-04M-4Q0 | Spring, 9520-9540 | B-61 | P-LN0401RP2 | LED (Vac Gauge), 9540 |
| B-18 | P-17M-4P0V | Vac Gauge Cover, 9527/9537 | B-62 | P-81A-4S0 | Packing, 9540 |
| B-18 | P-17M-4P0J | Vac Gauge Cover, | B-63 | P-23E-4S0 | Insulation Pack, 9540 |
| | | 9510/9520/9530/9540 | B-64 | P-11E-5H0 | Packing (Upper Body), 9520-9540 |
| B-19 | P-77030 | Screw (Dust Cover) | | NLA | Thermo Protector, |
| B-20 | NLA | Tool Storage Cover, 9527/9537 | | | (Not Shown) 9520/9537 |
| B-20 | NLA | Tool Storage Cover, | | P-62D-4Q000 | Packing (Power Control Switch) |
| | | 9510/9520/9530/9540 | | | (Not Shown), 9510-9537 |
| B-21 | P-02A-4P0K | Upper Body, 9510-9537 | | | |
| B-21 | P-02A-4S0K | Upper Body, 9540 | | | |
| B-22 | NLA | Lower Body W/Furniture Guard | | | |
| B-23 | P-46N-4P0K | Cord Rewind Button | | | |
| B-24 | P-05E-4P0K | ON/OFF Switch Button | | | |
| B-25 | P-92A-4P0 | Ornamental Plate, 9510 | | | |
| B-25 | P-92A-4Q0 | Ornamental Plate, 9520 | | | |
| B-25 | P-92A-4M0 | Ornamental Plate, 9527 | | | |
| B-25 | P-92A-4R0 | Ornamental Plate, 9530 | | | |
| B-25 | P-92A-BK00U | Ornamental Plate, 9537 | | | |
| B-25 | P-92A-4S0 | Ornamental Plate, 9540 | | | |
| B-26 | P-XTN3+12B | Screw (Ornamental Plate) | | | |
| B-27 | P-34405 | PCB (B), 9540 | | | |
| B-27-1 | P-LN0202GP3 | LED (PCB {B}), 9540 | | | |
| B-28 | P-XTN3+8B | Screw (PCB {B}), 9540 | | | |
| B-29 | P-34160 | Power Control Switch, 9527/9537 | | | |
| B-29 | NLA | Power Control Switch, 9520/9530 | | | |
| B-30 | P-XTN3+12B | Screw (Power Control Switch), | | | |
| | | 9520/9537 | | | |
| B-31 | P-48N-4P0V | Brake Cover, 9527/9537 | | | |
| B-31 | P-48N-4P0J | Brake Cover, 9510/9520/9530/9540 | | | |
| B-32 | P-03E-4P0V | Switch Cover, 9527/9537 | | | |
| B-32 | P-03E-4P0J | Switch Cover, 9510/9520/9530/9540 | | | |
| B-33 | P-XTN3+12B | Screw (B-31, B-32) | | | |
| B-34 | P-71N-4P0 | Spring (Cord Rewind Button) | | | |
| B-35 | P-71K-4P0 | Leaf Spring | | | |
| B-36 | P-34925 | Indicator Lever | | | |
| B-37 | P-72435 | Pedal Spacer | | | |
| B-38 | P-77210 | Spring (Pedal Spacer) | | | |
| B-39 | P-73K-4P0L | Dust Box Packing, 9527/9537 | | | |
| B-39 | P-73K-4P0K | Dust Box Packing, 9510/9520/9530 | | | |
| B-39 | P-73K-4S0K | Dust Box Packing, 9540 | | | |
| B-40 | P-23K-4P0L | Dust Bag Holder, 9527/9537 | | | |
| B-40 | P-23K-4P0K | Dust Bag Holder, | | | |
| | | 9510/9520/9530/9540 | | | |
| B-41 | P-46H-4P0 | Spring (Dust Bag Holder) | | | |
| B-42 | P-29L-4P0K | Blower Cover | | | |

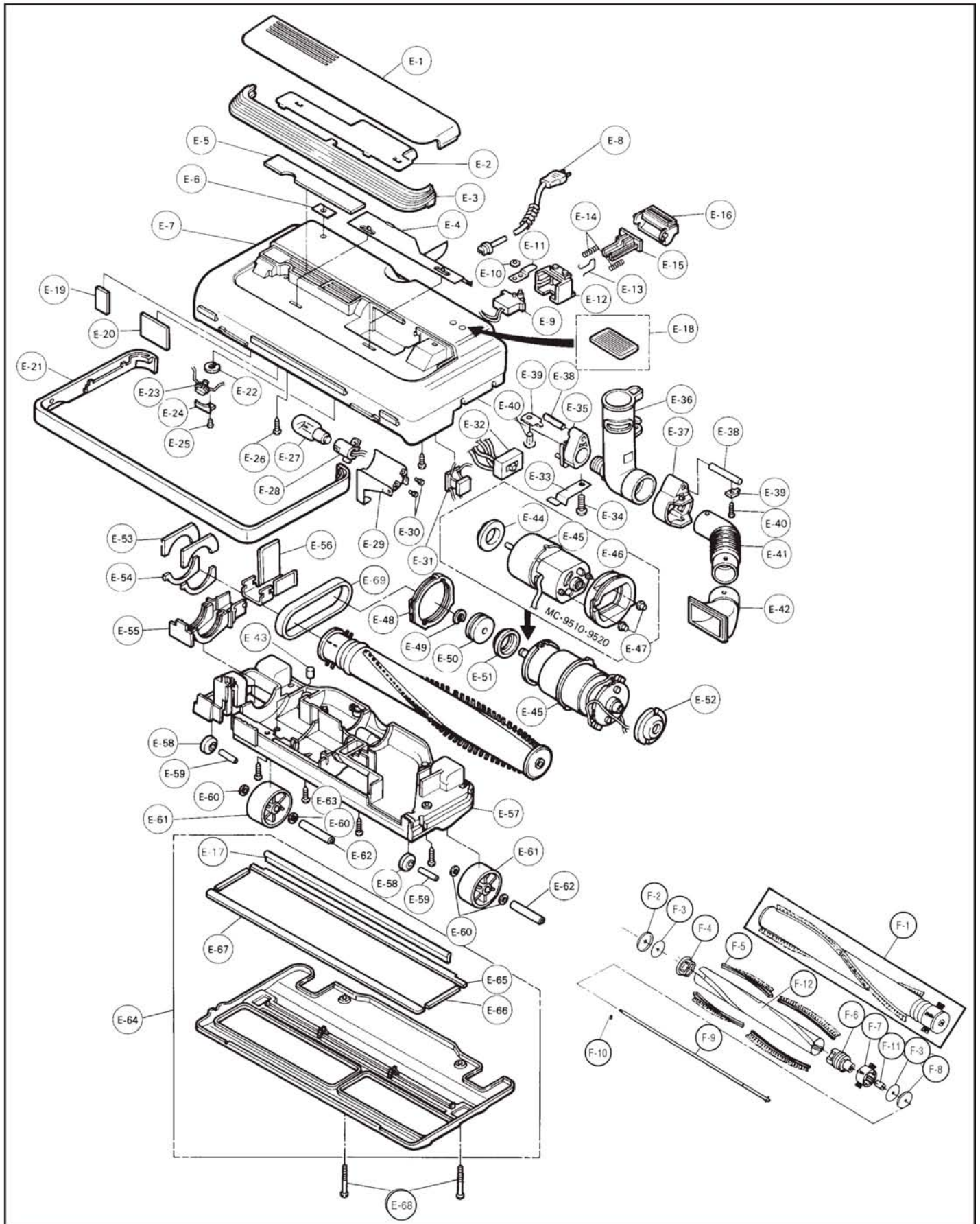
PARTS LIST (CORD REEL UNIT)

| KEY | PART NO. | DESCRIPTION |
|-----|-------------|--------------------------------|
| C-1 | P-30760 | Cord Reel Unit, 9510 |
| C-1 | NLA | Cord Reel Unit, 9527 |
| C-1 | NLA | Cord Reel Unit, 9520/9530/9540 |
| C-1 | P-30757 | Cord Reel Unit, 9537 |
| C-2 | P-98N-F2U | Power Cord W/Rail Base, 9510 |
| C-2 | P-98N-AM0VU | Power Cord W/Rail Base, 9527 |
| C-2 | P-98N-4R00U | Power Cord W/Rail Base, |
| | | 9520/9530/9540 |
| C-2 | P-98N-4R0VU | Power Cord W/Rail Base, 9537 |
| C-3 | P-94N-4P0 | Brake Lever |
| C-4 | P-47N-B80 | Brake Spring |
| C-5 | P-19N-4P00U | Contact Base Unit, 9510 |
| C-5 | P-75685 | Contact Base Unit, 9520-9540 |
| C-6 | P-36050 | Body Partition |
| C-7 | P-77010 | Screw (Body Partition) |
| C-8 | P-77010 | Screw (Contact Base) |



PANASONIC Original & Replacement

Model 9510, 9520, 9527, 9530, 9537, 9540



Original & Replacement **PANASONIC**

Model 9510, 9520, 9527, 9530, 9537, 9540

PARTS LIST (POWER NOZZLE)

| KEY | PART NO. | DESCRIPTION | KEY | PART NO. | DESCRIPTION |
|------|----------------|--|------|----------------|--|
| E-1 | P-24H-4P0K | Power Head Cover, 9510 | E-48 | NLA | Motor Support Rubber (Center), 9530-9540 |
| E-1 | P-24H-4Q0K | Power Head Cover, 9520 | E-49 | P-77115 | E-Clip, 9530-9540 |
| E-1 | P-24H-AM0KU | Power Head Cover, 9527 | E-50 | NLA | Motor Pulley, 9530-9540 |
| E-1 | P-24H-4R0K | Power Head Cover, 9530-9540 | E-51 | P-14F-4R0 | Motor Support Rubber (Front), 9530-9540 |
| E-2 | P-84H-4R0 | Reflector Plate (Upper), 9527-9540 | E-52 | P-15F-4R0 | Motor Support Rubber (Rear), 9530-9540 |
| E-3 | P-21H-4P0 | Window Cover, 9510/9520 | E-53 | NLA | Tight Packing |
| E-3 | P-21H-4R0 | Window Cover, 9537 | E-54 | P-76755 | Belt Cover Packing |
| E-3 | P-21H-4R0K | Window Cover, 9527/9530/9540 | E-55 | P-59S-4P0V | Belt Cover, 9527/9537 |
| E-4 | P-86H-4R0 | Reflector Plate (Lower), 9527-9540 | E-55 | P-72600 | Belt Cover, 9510/9520/9530/9540 |
| E-5 | P-18061 | Filter (Upper) | E-56 | P-57S-4R0 | Belt Cover (Metal), 9530-9540 |
| E-6 | P-46R-4R0 | Label, 9530-9540 | E-57 | P-72044 | Power Nozzle Lower, 9510/9520 |
| E-7 | P-72030 | Body, 9510 | E-57 | P-03R-4P0V | Power Nozzle Lower, 9527/9537 |
| E-7 | NLA | Body, 9520 | E-57 | P-72100 | Power Nozzle Lower, 9530/9540 |
| E-7 | NLA | Body, 9527 | E-58 | P-76841 | Power Nozzle Roller |
| E-7 | NLA | Body, 9537 | E-59 | P-71380 | Roller Shaft |
| E-7 | P-72050 | Body, 9530/9540 | E-60 | P-XWG6 | Washer |
| E-8 | NLA | Cord Unit, 9510/9520/9530/9537 | E-61 | P-71020 | Roller (Large), 9510/9520/9530/9540 |
| E-8 | NLA | Cord Unit, 9527/9540 | E-61 | P-01C-F00K | Roller (Large), 9527/9537 |
| E-9 | P-34153 | ON/OFF Switch, 9520-9540 | E-62 | P-16C-4P0 | Roller Shaft (Large Roller) |
| E-10 | P-XPLMC4 | Push Nut, 9520-9540 | E-63 | P-77030 | Screw (Power Nozzle Lower) |
| E-11 | P-93D-4Q0R | Switch Indicator, 9520-9540 | E-64 | NLA | Bottom Plate Unit |
| E-12 | P-03E-4Q0 | Switch Holder, 9520-9540 | E-65 | P-74A-4P0 | Packing (Rear) |
| E-13 | P-34925 | Switch Lever, 9520-9540 | E-66 | P-39A-4P0 | Packing (Side) |
| E-14 | P-77210 | Spring (Pedal Spacer), 9520-9540 | E-67 | P-19A-4P0 | Packing (Front) |
| E-15 | P-72435 | Pedal Spacer, 9520-9540 | E-68 | P-77017 | Screw (For Bottom Plate) |
| E-16 | P-34905 | Switch Pedal, 9520-9540 | E-69 | P-MC220B | Belt, 9510-9527 |
| E-17 | P-76910 | Nozzle Rubber | E-69 | ER-1050 | Belt, Type CB 9510-9527 |
| E-18 | P-42A-4P0J | Pedal Cover, 9510 | E-69 | P-MC225B | Belt, 9530-9540 |
| E-19 | NLA | Filter (Side) | | | |
| E-20 | P-37K-4P0 | Filter (Front) | | | |
| E-21 | P-74060 | Furniture Guard | | | |
| E-22 | P-04E-4R0 | Protector Button, 9530-9540 | | | |
| E-23 | P-98W-4R0 | Thermo Protector, 9530-9540 | | | |
| E-24 | P-19M-4R0 | Protector Support, 9530-9540 | | | |
| E-25 | P-XTN3+8B | Screw (Protector Support), 9530-9540 | | | |
| E-26 | P-77030 | Screw (Power Nozzle Lower) | | | |
| E-27 | FA-3500 | Bulb, 25 Watt | | | |
| E-28 | P-93H-4R00U | Lamp Holder, 9527-9540 | | | |
| E-29 | P-85H-4R0 | Partition Plate, 9527-9540 | | | |
| E-30 | P-XYN3+C6FYS | Screw (Partition Plate), 9527-9540 | | | |
| E-31 | NLA | P.C.B., 9527-9540 | | | |
| E-32 | NLA | Reverse Switch, 9530-9540 | | | |
| E-33 | P-70N-4R0 | Leaf Spring, 9530-9540 | | | |
| E-34 | P-77010 | Screw (Leaf Spring), 9530-9540 | | | |
| E-35 | NLA | Pipe Insert (Right), 9530-9540 | | | |
| E-36 | NLA | Wand Connection | | | |
| E-37 | P-72410 | Pipe Insert (Left), 9530-9540 | | | |
| E-38 | NLA | Pipe Insert Shaft, 9530-9540 | | | |
| E-39 | NLA | Stopper, 9530-9540 | | | |
| E-40 | P-77010 | Screw (Stopper), 9530-9540 | | | |
| E-41 | NLA | Nozzle Hose | | | |
| E-42 | P-40S-4P0 | Nozzle Pipe | | | |
| E-44 | P-14F-4P0 | Motor Support Rubber (Front), 9510-9527 | | | |
| E-45 | NLA | Motor, 9510-9527 | | | |
| E-45 | P-60510 | Motor, 9530-9540 | | | |
| E-46 | P-16F-4P0 | Motor Support Rubber (Center), 9510-9527 | | | |
| E-47 | P-15F-4P0 | Motor Support Rubber (Rear), 9510-9527 | | | |

PARTS LIST (AGITATOR ASSEMBLY)

| KEY | PART NO. | DESCRIPTION |
|------|----------------|------------------------------------|
| F-1 | NLA | Agitator Assembly |
| F-2 | NLA | End Cap (Left) |
| F-2 | PR-2052 | End Cap, Pulley End W/Slot |
| F-3 | NLA | Filter |
| F-3 | PR-2066 | Filter, Brushroll 1.5" Dia |
| F-4 | P-20840 | Agitator Holder (W/Bearing) |
| F-4 | PR-2058 | Holder, Brushroll W/Bearing |
| F-5 | P-22020 | Brush (4 Pcs.) |
| F-5 | NLA | Brush Strip, Pair |
| F-6 | NLA | Agitator Pulley (W/Bearing) |
| F-7 | NLA | Brush Holder |
| F-7 | PR-2056 | Edge Cleaning Brush |
| F-8 | P-20517 | End Cap (Right) |
| F-9 | P-57R-X60 | Agitator Shaft |
| F-10 | P-77110 | E-Clip |
| F-11 | P-74S-X60 | Spacer |
| F-12 | P-84R-V10 | Agitator Cylinder |

NLA = NO LONGER AVAILABLE

PANASONIC Original & Replacement

Model 9510, 9520, 9527, 9530, 9537, 9540

PARTS LIST (ATTACHMENTS)

| KEY | PART NO. | DESCRIPTION |
|------|--------------|--|
| A-1 | NLA | Hose Assembly, 9510/9520/9530/9537 |
| A-1 | NLA | Hose Assembly, 9527 |
| A-1 | NLA | Hose Assembly, 9540 |
| A-2 | NLA | Handle Grip Right, 9527 |
| A-2 | P-19P-4S0J | Handle Grip Right, 9540 |
| A-3 | NLA | Handle Grip Left, 9527 |
| A-3 | NLA | Handle Grip Left, 9540 |
| A-4 | NLA | Grip Cover, 9527 |
| A-4 | NLA | Grip Cover, 9540 |
| A-5 | P-34405 | PCB (C) Unit, 9540 |
| A-6 | NLA | ON/OFF Sub-Switch, 9540 |
| A-7 | P-93D-4S0K | Control Plate, 9540 |
| A-8 | P-03E-4S0 | Switch Cover, 9540 |
| A-9 | P-05E-4S0K | ON/OFF Switch Button, 9540 |
| A-10 | P-04E-4S0K | Control Button, 9540 |
| A-11 | P-59G-4S0 | Wire (Ground), 9527/9540 |
| A-12 | P-23P-4P0J | Hose Holder, 9510/9520/9530/9540 |
| A-12 | P-23P-4P0V | Hose Holder, 9527/9537 |
| A-13 | P-27H-4P0J | Connector Unit Body, 9510/9520/9530/9540 |
| A-13 | P-27P-4P0V | Connector Unit Body, 9527/9537 |
| A-14 | P-10P-4P0J | Connection Button, 9510/9520/9530/9540 |
| A-14 | P-10P-4P0V | Connection Button, 9527/9537 |
| A-15 | P-03P-291 | Spring (Connection Button) |
| A-16 | P-29F-4P0 | Terminal Holder |
| A-17 | P-48H-4P0J | Connection Cover, 9510/9520/9530/9540 |
| A-17 | P-48H-4P0V | Connection Cover, 9527/9537 |
| A-18 | P-28P-4P0 | Terminal W/Lead Wire |
| A-19 | P-AMP34137 | Wire Connector (Not Shown) |
| A-20 | P-29E-4P0 | Insulation Tube |
| A-21 | NLA | Short Wand, 9527/9540 |
| A-22 | P-77010 | Screw (Hose Grip), 9527/9540 |
| A-23 | P-XTN3516BFN | Screw (Connection Cover) |
| A-24 | NLA | Extension Wand |
| A-25 | P-50500 | Spring W/Button |
| A-26 | P-61L-4P0 | Packing |
| A-27 | NLA | Curved Wand, 9510/9520/9530/9537 |
| A-28 | P-50510 | Suction Regulator, 9510/9520/9530/9537 |
| A-29 | NLA | Upholstery Brush |
| A-30 | NLA | Dusting Brush |
| A-31 | P-54020 | Crevlce Tool |
| A-32 | NLA | Floor & Wall Brush |
| A-33 | NLA | Grip Cover, 9510/9520/9530/9537 |
| A-34 | NLA | Power Head Connector, 9527 |
| A-34 | NLA | Power Head Connector, 9540 |

PARTS LIST (MOTOR UNIT)

| KEY | PART NO. | DESCRIPTION |
|-----|-------------|---|
| D-1 | NLA | Motor, 9510 |
| D-1 | NLA | Motor, 9520-9537 |
| D-1 | NLA | Motor, 9540 |
| D-2 | P-63000 | Carbon Brush (2 Pcs), 9510 |
| D-2 | P-63060 | Carbon Brush (2 Pcs), 9520-9540 |
| D-3 | P-73766 | Motor Support Rubber (Front), 9510 |
| D-3 | P-73767 | Motor Support Rubber (Front), 9520-9537 |
| D-3 | P-02F-4S0 | Motor Support Rubber (Front), 9540 |
| D-4 | P-07F-1T0 | Motor Support Rubber (Rear) |
| D-5 | P-68A-1T0 | Screw |
| D-6 | P-99G-4P0 | Noise Suppressor |
| D-7 | ERF10HMJ122 | 1.2 K Fixed Resistor, 9540 |

