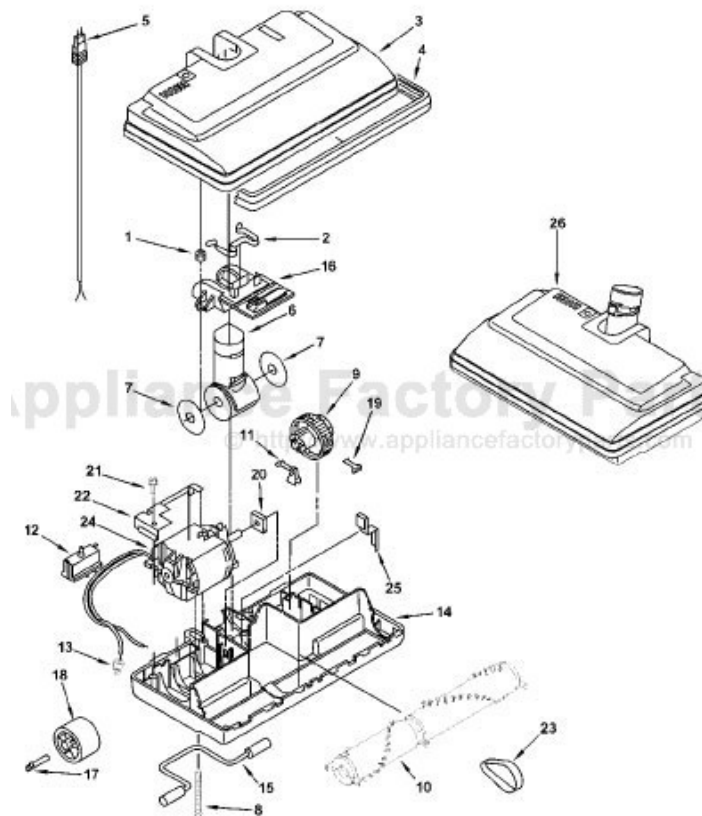


This Owner's Manual is provided and hosted by Appliance Factory Parts.



PANASONIC MC-CG901-00 Owner's Manual

[Shop genuine replacement parts for PANASONIC
MC-CG901-00](#)



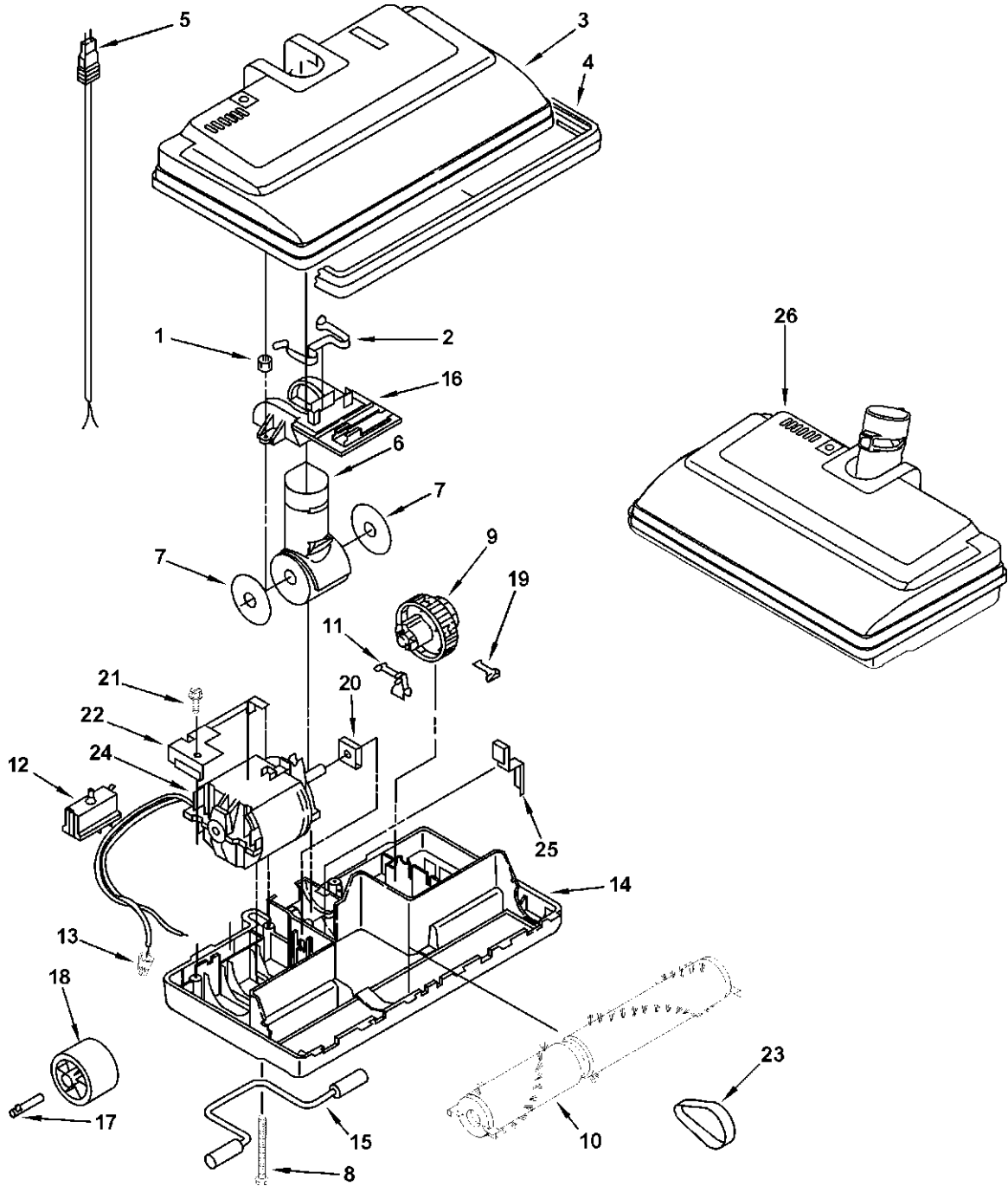
[Find Your PANASONIC Vacuum Cleaner Parts - Select From 605 Models](#)

----- Manual continues below -----

2 EXPLODED VIEW AND PARTS LIST

2.1. Power Nozzle

2.1.1. Exploded View

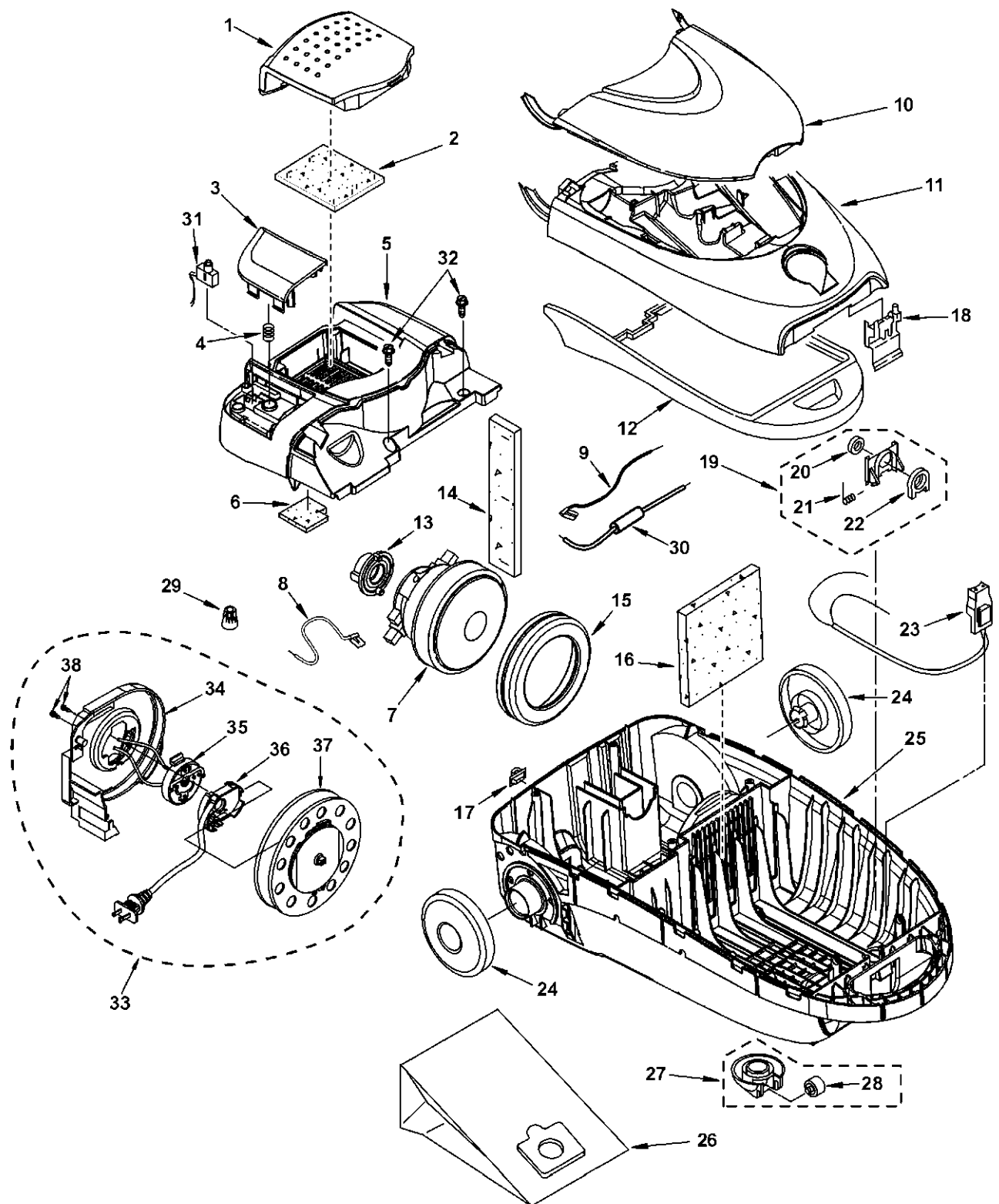


2.1.2. Parts List (Power Nozzle)

Ref. No.	Part No.	Part Name & Description	Remarks	
1	AMC681-267	On-Sert	1	
2	AMC741-720	Swivel Catch	1	
3	AC02RDNPZPUC	Nozzle-Upper	1	
4	AC10ANGZV06	Bumper	1	
5	AC73EDFNZV06	Cord and Plug	1	
6	AC50PAMFZV06	Swivel	1	
7	AMC741-423	Swivel Seal	2	
8	AMC681-638	Screw	2	SHIPPED 10 PER PACKAGE
9	AMC414-7437	Indicator Cam	2	
10	AC84RCXSZ000	Agitator Assembly	1	
11	AMC742-013	Lifter	1	
12	AC97KAXEZV04	Overload Protector	1	
13	AMC-1CTCE23	Wire Connector	1	SHIPPED 10 PER PACKAGE
14	AC03RBBAZV07	Floor Nozzle-Lower	1	
15	AMC742-939	Front Axle	1	
16	AC25QATTZV06	Swivel Cap	1	
17	AC16CNXZ00	Roller Shaft	2	SHIPPED 2 PER PACKAGE
18	AC90QNGZV06	Wheel	2	SHIPPED 2 PER PACKAGE
19	AMC742-016	Ratchet Catch	1	
20	AMC743-498	Seal-Motor Shaft	1	
21	AMC681-297	Screw	1	
22	AMC705-092	Motor Bracket	1	
23	AMC742-664	Belt	1	
24	AC90FCASZ000	Motor	1	
25	AMC742-685	Belt Guard	1	
26	AC50XDNPZP0C	Power Nozzle Assembly	1	

2.2. Canister

2.2.1. Exploded View

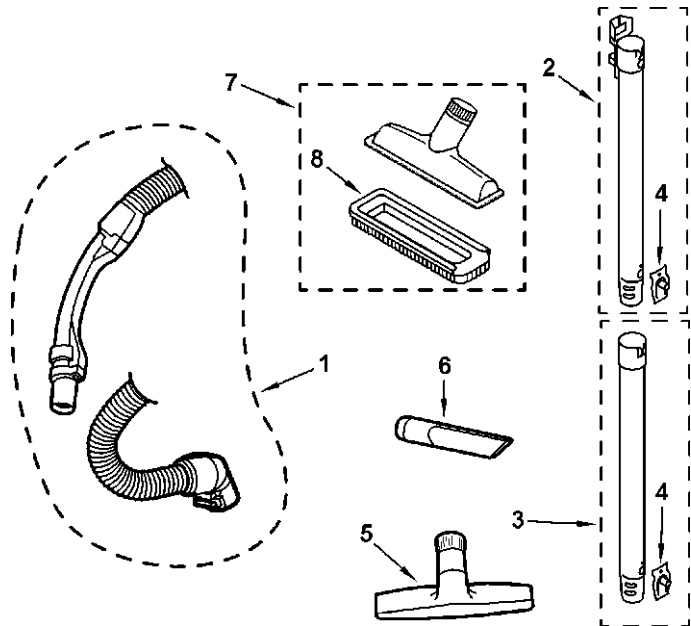


2.2.2. Parts List

Ref. No.	Part No.	Part Name & Description	Quantity	Remarks
1	AC41KAKVZVU6	Filter Cover	1	
2	AC38KBRMZ000	Exhaust Filter	1	
3	AC46NAXVZP0C	ON/OFF Button	1	
4	AC71NBARZ000	Cord Button Spring	1	
5	AC90QBPJZP03	Canopy	1	
6	AC38KBARZ000	Secondary Filter	1	
7	AC92FDGWZ000	Fan Motor	1	
8	AC43GDGBZ000	Lead Wire - White	1	
9	AC38GDCNZ000	Lead Wire - Black	1	
10	AC74PDNPZPUC	Tool Cover	1	
11	AC60KBPJZPUC	Hood	1	
12	AC31AAXAZV06	Furniture Guard	1	
13	AC03FAXAZ000	Motor Support Rubber-Rear	1	
14	AC99GAMMZ00	Noise Suppressor	1	
15	AC02FCPSZ000	Motor Support Rubber-Front	1	
16	AC37KAXAZ000	Secondary Filter	1	
17	AC14NNJZV06	Cord Hook	1	
18	AC01DAXAZV06	Hood Latch	1	
19	AC11KAKTZR0K	Bag Support	1	
20	AC64HAKTZ000	Inlet Packing	1	
21	AMC706-024	Spring - Bag Mount	1	
22	AC03LAKTZ000	Gasket - Bag Mount	1	
23	AC90EAXAZV06	Receptacle (2-wire)	1	
24	AC01CAXAZV07	Wheel		
25	AC03AAXAZV07	Base - Lower Body	1	
26	P-MC150M	Dust Bag	1	
27	AC93CAKTZV07	Caster Roller Unit	1	
28	AC95CAKTZV06	Caster Roller	1	
29	AC4154460	Wire Connector		SHIPPED 10 PER PACKAGE
30	AC99WBARZ000	Lead Assembly (Fuse)	1	
31	AC01EAMMZ000	ON/OFF Switch	1	
32	AMC414-8999	Screw		SHIPPED 10 PER PACKAGE
33	AC99NCZAZV06	Cord Reel Assembly	1	
34	AC04ACZAZV07	Cord Reel Bracket	1	
35	AC19NAVAZ000	Contact Base	1	
36	AC98NBMZYV06	Contact Disc Assembly	1	Includes Power Cord
37	AC01NAXAZ010	Cord Reel Hub Assembly	1	
38	AXTN4+16BFY	Screw	2	SHIPPED 10 PER PACKAGE

2.3. Hose & Attachments

2.3.1. Exploded View



2.3.2. Parts List

Ref. No.	Part No.	Part Name & Description	Quantity	Remarks
1	AC94PAMFZV06	Hose Assembly	1	
2	AC97PAKZZV06	Upper Wand	1	
3	AC99PMMZV06	Lower Wand	1	
4	AMC725-419	Spring - Wand Lock	2	
5	AC96RMUZV06	Floor Brush	1	
6	AC60RSJZV06	Crevice Tool	1	
7	AC63RAXAZVU6	Combination Brush	1	
8	AC69RAXAXVU6	Brush Holder	1	