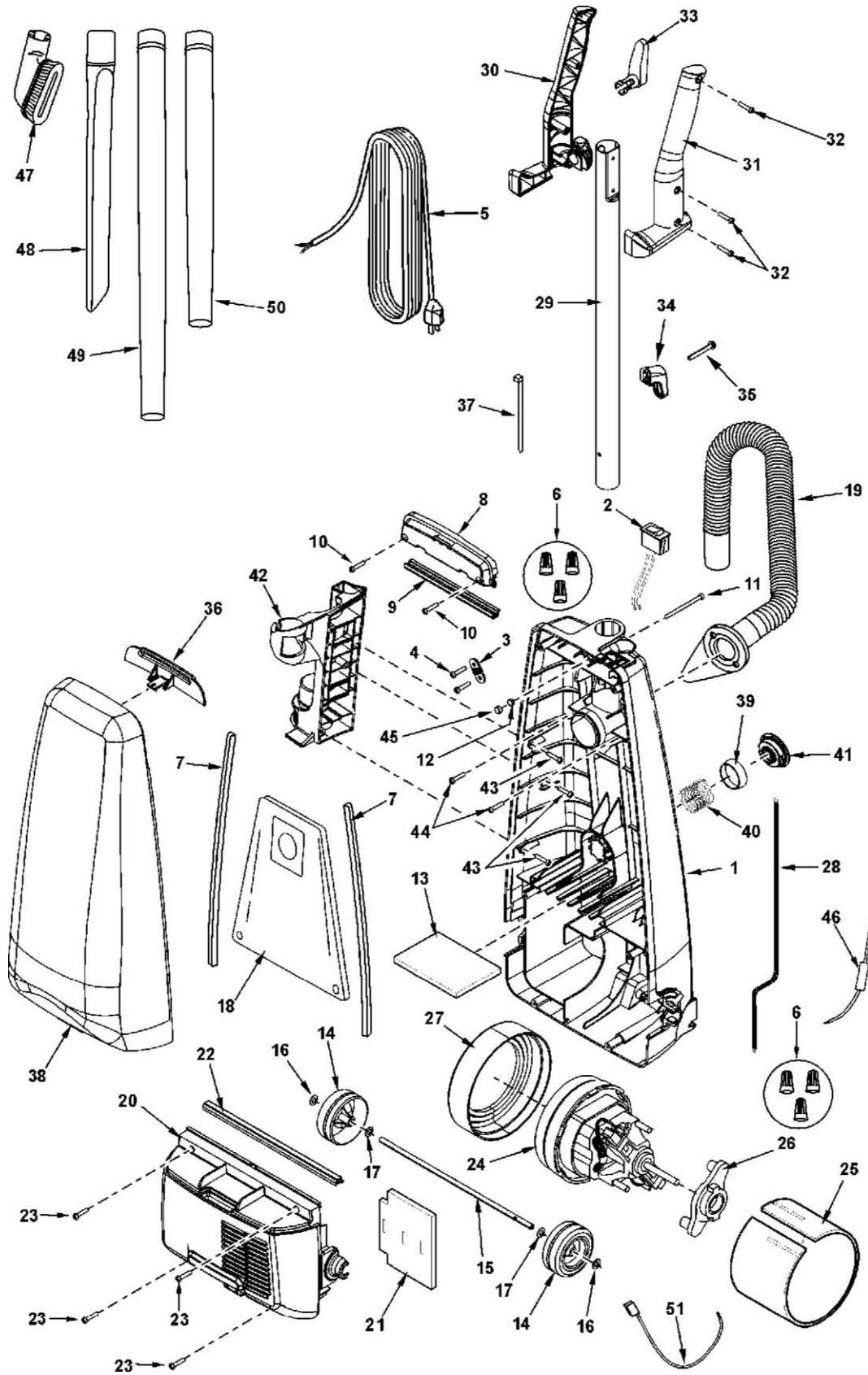


# 2 EXPLODED VIEW AND PARTS LIST

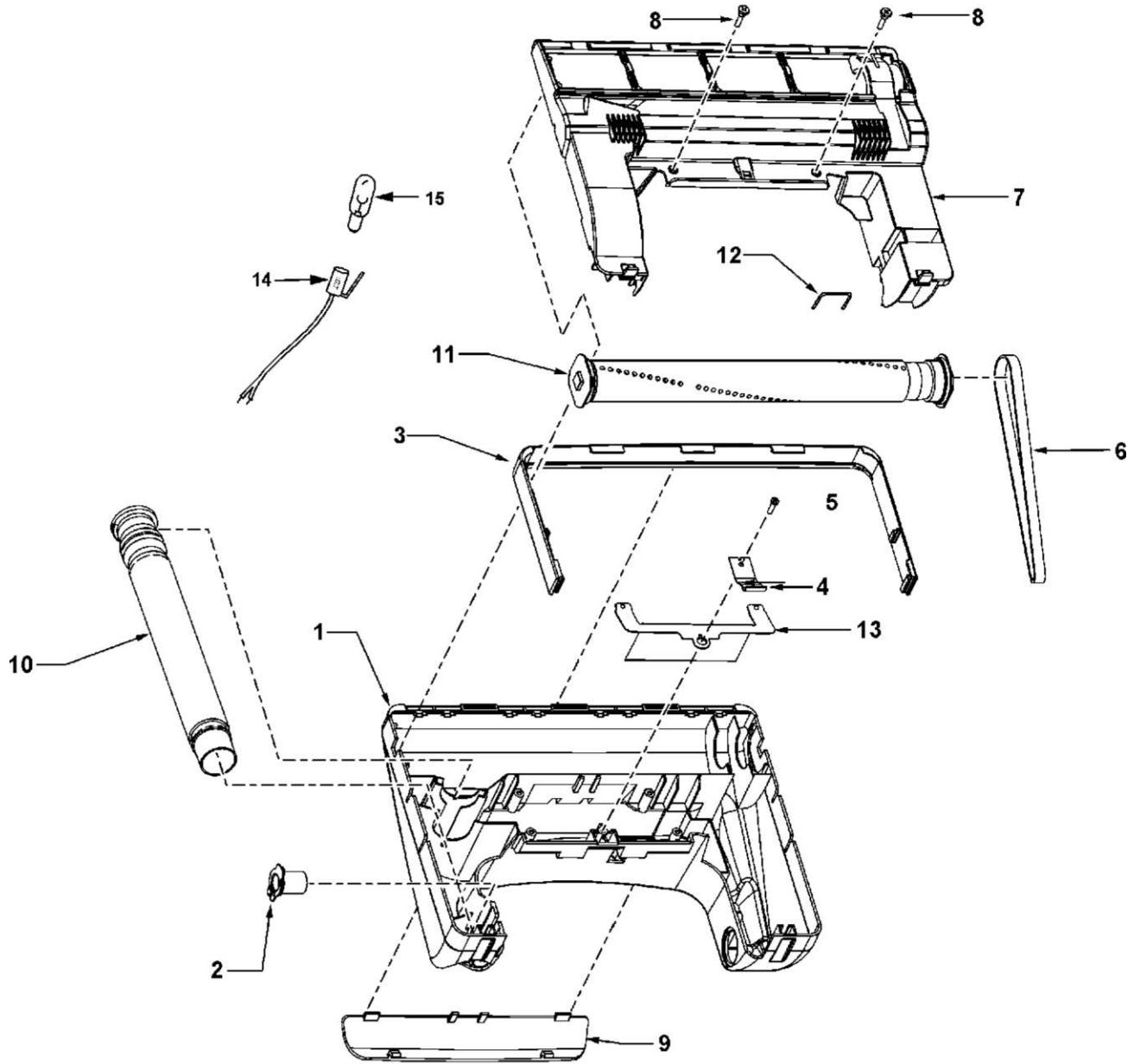
## 2.1. Body

### 2.1.1. Exploded View



## 2.1.2. Parts List (Body)

Ref. No.	Part No.	Part Name & Description	Quantity	Remarks
1	AC40KBYL1V07	Dust Compartment	1	Includes items 41# 42
2	AMC98E-V010U	ON/OFF Switch	1	
3	AMC62E-J20	Cord Stopper	1	
4	AXTN4+16BFY	Screw (Cord Stopper)		Shipped 10 per package
5	AC97EPGZV06	Power Cord	1	
6	AMC-1CTCE23	Wire Nut		Shipped 10 per package
7	AC66KBYLZK12	Packing (Dust Container)	1	Shipped 2 per package
8	AC03EBYLZV07	Switch Cover	1	
9	AC73KBYLZK12	Packing (Switch Cover)	1	
10	AXTN4+16BFY	Screw (Switch Cover)		Shipped 10 per package
11	AMC73B-V00	Handle Screw	1	
12	AMP21B-170	Nut	1	
13	AMC37K-V00	Secondary Filter (Foam)	1	
14	AMC01C-V00U	Wheel		
15	AC16CUSZ000	Shaft (Wheel)	1	
16	AC74SUSZ000	Stopper (Wheel)		
17	AXWG6E115FY	Washer (Wheel)		Shipped 10 per package
18	AC16KJYZ00	Dust Bag (Type U6)	1	
19	AC94PDFJZV06	Hose Assembly	1	
20	AC09FBYLZG0V	Motor Case	1	
21	AC02LBYLZ00	Filter (Motor Case)	1	
22	AC19FBYLZK12	Packing (Motor Case)	1	
23	AXTN4+20BFY	Screw (Motor Case)		Shipped 10 per package
24	AC92FCHRZ000	Fan Motor Unit	1	
25	AC99GAMMZ00	Noise Suppressor	1	
26	AC03FCJUZ000	Motor Support Rubber (Rear)	1	
27	AC02FCHGZ000	Motor Support Rubber (Front)	1	
28	AMC37G-V200U	Wire Cord	1	
29	AC64BBYLZ00	Handle Tube	1	
30	AC23BBYLZV07	Handle Grip (Left)	1	
31	AC22BBYLZV07	Handle Grip (Right)	1	
32	AXTN4+16BFY	Screws (Handle Grip)		Shipped 10 per package
33	AC53EBYLZV07	Upper Cord Storage Hook	1	
34	AC54EV0ZV07	Lower Cord Storage Hook	1	
35	AXTN4+30BFY	Screw (Lower Cord Storage Hook)	1	Shipped 10 per package
36	AC08DBYLZV07	Latch, Dust Cover	1	
37	AMC596-702	Wire Tie	1	Shipped 10 per package
38	AC60KDVYZGUV	Dust Cover	1	
39	AC69KJMZV07	Protector	1	
40	AC70KAHHZB00	Blue Protector Spring	1	
41	AC18MJMZV07	Protector Cover	1	
42	AC70PDFJZV07	Wand Holder	1	
43	AXTN4+16BFY	Screw (Wand Holder)		Shipped 10 per package
44	AXTN4+16BFY	Screw (Suction Inlet)		Shipped 10 per package
45	AC61LAGMZ00	Insulator Packing (Handle Screws)	1	
46	AC99WCHRZ000	Lead Assembly	1	
47	AC88RYUZV06	Dusting Brush	1	
48	AC60RZFZVU6	Crevice Tool	1	
49	AC40PJPZV06	Extension Wand (with tabs)	1	
50	AC40PBRKZV06	Extension Wand	1	
51	AC43GAWYZ000	Lead Wire	1	



### 2.2.2. Parts List (Nozzle Housing)

Ref. No.	Part No.	Part Name & Description	Quantity	Remarks
1	AC 01 AD V Y Z G U V	Nozzle Housing	1	
2	AMC2 5S-V00	Shaft (Plastic)	1	
3	AC10ABYLZV07	Furniture Guard	1	
4	AMC5 7A-V00	Spring (Pedal)	1	
5	AXTN4+16BFY	Screw (Pedal Spring)	1	Shipped 10 per package
6	AC28SCZPZ000	Belt	1	
7	AC27ABYLZV07	Lower Plate	1	
8	AXTN4+16BFY	Screw		Shipped 10 per package
9	AC21HBYLZC03	Window Cover	1	
10	AC34PAJZEV06	Nozzle Hose	1	
11	AC84RBUNZ00	Agitator Unit	1	
12	AMC43S-V00	Belt Cover	1	
13	AC53KBYLZ00	Slider Support	1	
14	AC93HURZ00	Bulb Socket	1	
15	AC28GADFZ00	Light Bulb	1	