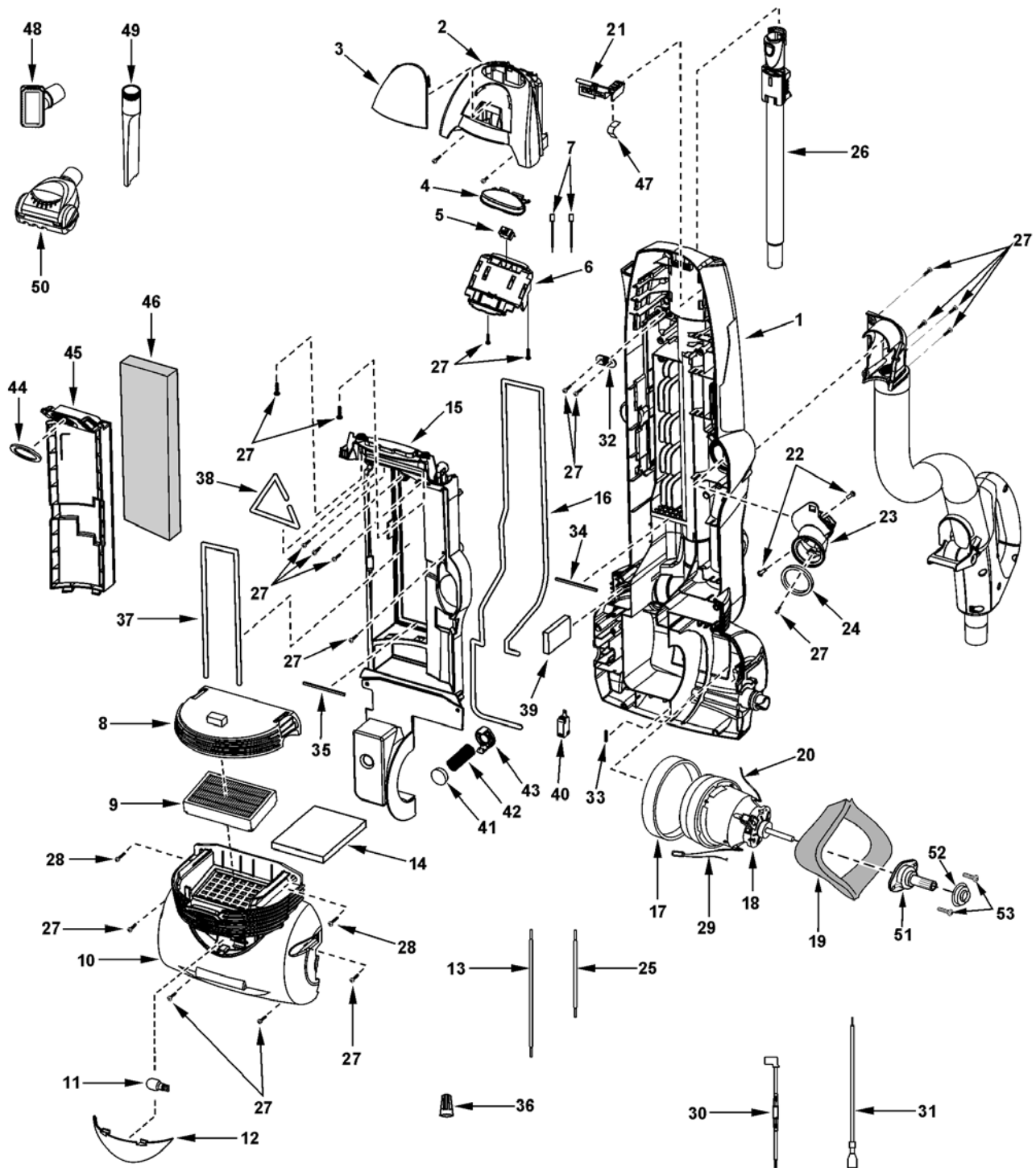


# 2 EXPLODED VIEW AND PARTS LIST

## 2.1. Body - Front

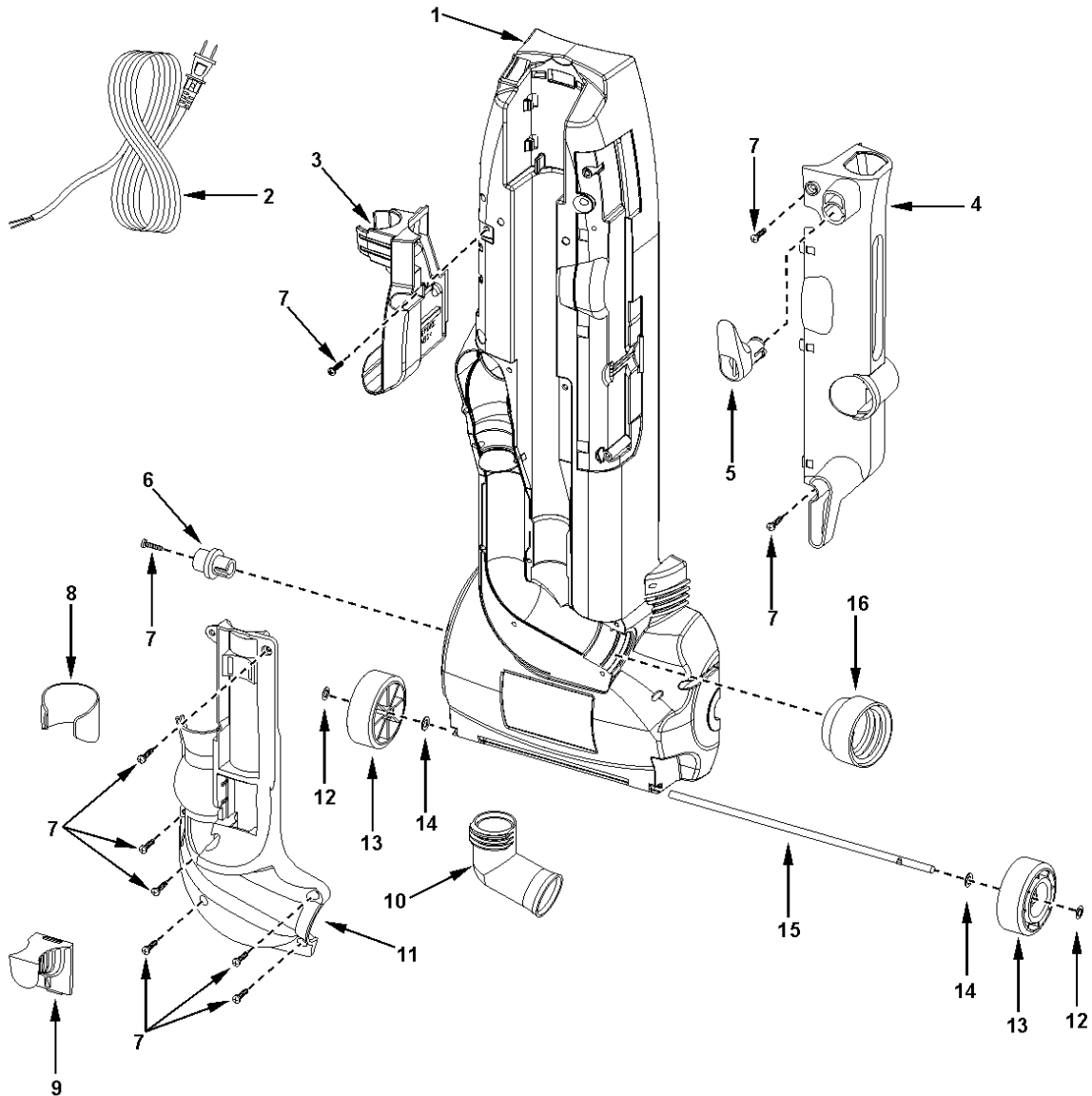
### 2.1.1. Exploded View



## 2.1.2. Parts List

| Ref. No. | Part No.     | Part Name & Description    | Remarks |                        |
|----------|--------------|----------------------------|---------|------------------------|
| 1        | AC40KDKEZV07 | Dust Compartment           | 1       |                        |
| 2        | AC03ECXWZWOH | Switch Cover               | 1       |                        |
| 3        | AC08MDKDZV07 | Lens                       | 1       |                        |
| 4        | AC05EDKDZSU1 | Switch Button              | 1       |                        |
| 5        | AC01EDDRZ000 | Switch ON/OFF              | 1       |                        |
| 6        | AC12EDKEZ000 | Switch Support             | 1       |                        |
| 7        | AC85GCXWZ000 | Lead Wire Unit - Black     | 2       |                        |
| 8        | AC41KDKEZWOH | Filter Cover               | 1       |                        |
| 9        | AC38KAXVZ000 | Exhaust Filter - HEPA      | 1       |                        |
| 10       | AC09FDKDZWOH | Motor Case                 | 1       |                        |
| 11       | AC28GBKHZ000 | Bulb                       | 1       |                        |
| 12       | AC21HCXWZ000 | Window                     | 1       |                        |
| 13       | AC85WDDWZ000 | Wire                       | 1       |                        |
| 14       | AC02LCXWZ000 | Rear Cover Packing         | 1       |                        |
| 15       | AC60KDKEZV07 | Dust Cover                 | 1       |                        |
| 16       | AC19ACPTZ000 | Body Packing               | 6       |                        |
| 17       | AMC02F-E00   | Motor Support Rubber Front | 1       |                        |
| 18       | AC92FCHSZ000 | Fan Motor Unit             | 1       |                        |
| 19       | AC99GAMMZ00  | Noise Suppressor           | 1       |                        |
| 20       | AC85WDJKZ000 | Lead Wire - Motor          | 1       |                        |
| 21       | AC15KCXWZV04 | Fastener                   | 1       |                        |
| 22       | AXTN3+8BFY   | Screw                      | 2       | Shipped 10 per package |
| 23       | AC10KDKEZV07 | Bag Supporter Assembly     | 1       |                        |
| 24       | AC64HDKEZ000 | Suction Inlet Packing      | 1       |                        |
| 25       | AC43GBKGZ000 | Lead Wire - White          | 1       |                        |
| 26       | AC99PCXWZV07 | Extension Wand Assembly    | 1       |                        |
| 27       | AXTN4+16BFY  | Screw                      | 15      | Shipped 10 per package |
| 28       | AXTN4+20BFY  | Screw                      | 4       | Shipped 10 per package |
| 29       | AC93HCHDZ000 | Bulb Socket                | 1       |                        |
| 30       | AC99WDKEZ000 | Lead Assembly              | 1       |                        |
| 31       | AC85WDDWZ000 | Lead Wire - White          | 1       |                        |
| 32       | AMC62E-J20   | Cord Stopper               | 1       |                        |
| 33       | AC19ADDSZ000 | Body Packing               | 1       |                        |
| 35       | AC75ADKEZ000 | Packing                    | 1       |                        |
| 36       | AMC-1CTCE23  | Wire Nut                   | 5       | Shipped 10 per package |
| 37       | AC66KDKEZ000 | Packing                    | 1       |                        |
| 38       | AC66KDKDZ000 | Packing                    | 1       |                        |
| 39       | AC25JDKEZ000 | Filter                     | 1       |                        |
| 40       | AC98EYUZ00   | Switch ON/OFF              | 1       |                        |
| 41       | AC69KJMZV07  | Protector                  | 1       |                        |
| 42       | AC70KDKDZV00 | Protector Spring           | 1       |                        |
| 43       | AC68KAJDZV07 | Protector Case             | 1       |                        |
| 44       | AC74RDHKZ000 | Dust Packing               | 1       |                        |
| 45       | AC32KDKEZ000 | Filter Supporter           | 1       |                        |
| 46       | AC92KDKEZ000 | Semi Filter Unit           | 1       |                        |
| 47       | AC18DCXWZ000 | Spring Release Button      | 1       |                        |
| 48       | AC63RDRZV06  | Combination Brush          | 1       |                        |
| 49       | AC60RAKZZV06 | Crevice Tool               | 1       |                        |
| 50       | AC80SCWZZV0N | Air Turbine                | 1       |                        |
| 51       | AC25SCWZZ000 | Flange                     | 1       |                        |
| 52       | AC03FAFYZ000 | Motor Support Rear         | 1       |                        |
| 53       | AXTN4+10FFY  | Screw                      | 2       | Shipped 10 per package |

## 2.2. Body - Rear

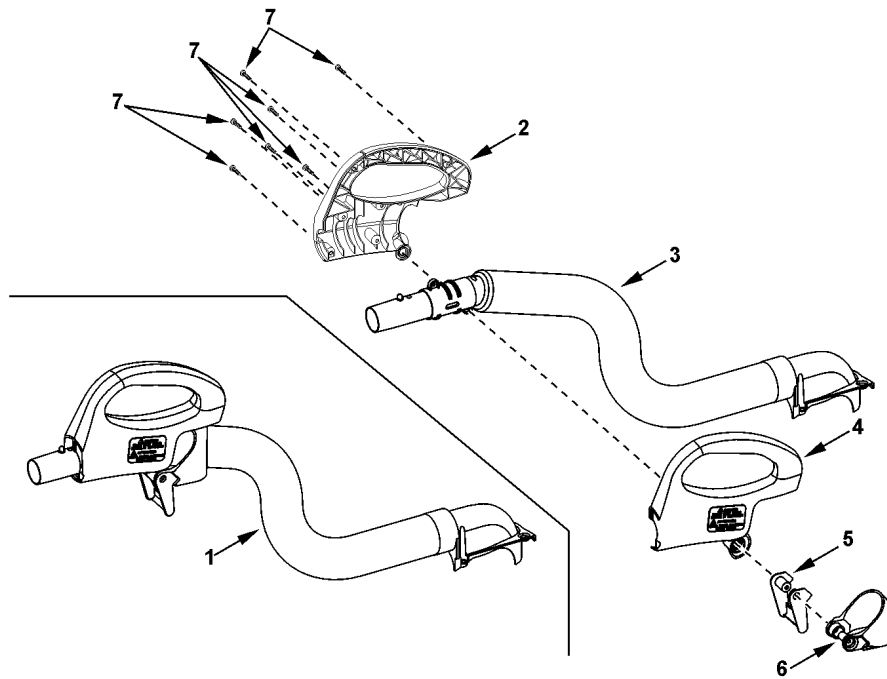


### 2.2.1. Parts List

| Ref. No. | Part No.     | Part Name & Description   | Quantity | Remarks                |
|----------|--------------|---------------------------|----------|------------------------|
| 1        | AC40KDKEZV07 | Dust Compartment          | 1        |                        |
| 2        | AC97EAACZV06 | Power Cord                | 1        |                        |
| 3        | AC66PDKEZV07 | Tool Caddy                | 1        |                        |
| 4        | AC32RCXWZV07 | Attachment Holder         | 1        |                        |
| 5        | AC53ECWZZV07 | Cord Hook                 | 2        |                        |
| 6        | AC13ECRCZ000 | Nut - Nozzle Spring       | 1        |                        |
| 7        | AXTN4+16BFY  | Screw                     | 10       | Shipped 10 per package |
| 8        | AC23PCXWZV07 | Hose Holder               | 1        |                        |
| 9        | AC53EDDRZV07 | Cord Storage Hook - Lower | 1        |                        |
| 10       | AC39LDKEZV07 | Air Guide                 | 1        |                        |
| 11       | AC48HCXWZV07 | Rear Cover                | 1        |                        |
| 12       | AC74SUSZ00   | Stopper Wheel             | 2        |                        |
| 13       | AC99CBSAZV06 | Wheel Unit                | 2        |                        |
| 14       | AXWG6E115FY  | Washer                    | 2        |                        |
| 15       | AC16CBBRZ00  | Roller Shaft              | 1        |                        |
| 16       | AC29QBKHZV06 | Dust Packing              | 1        |                        |

## 2.3. Handle

### 2.3.1. Exploded View

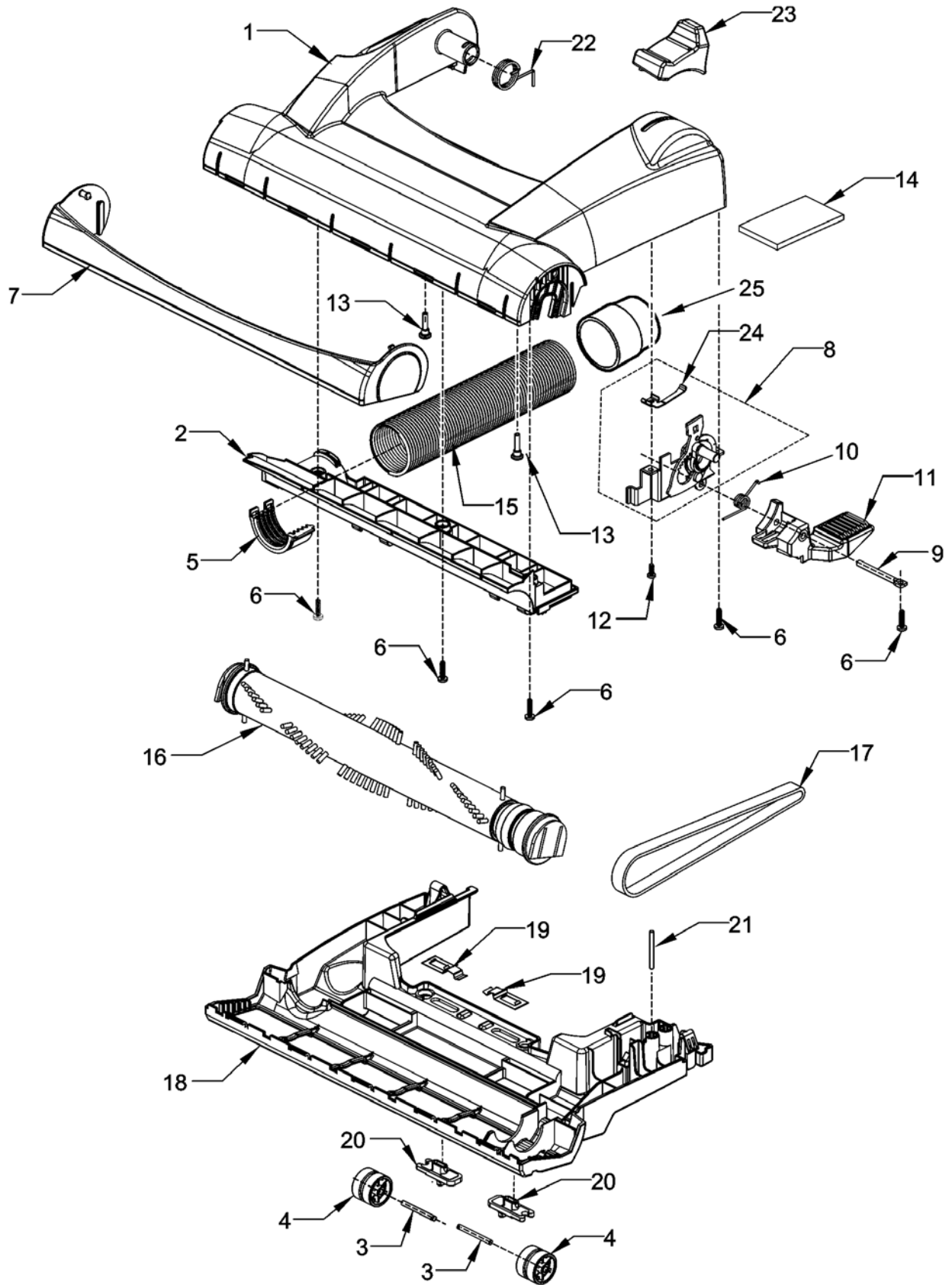


### 2.3.2. Parts List

| Ref. No. | Part No.     | Part Name & Description        | Quantity | Remarks                |
|----------|--------------|--------------------------------|----------|------------------------|
| 1        | AC95BCXWZV07 | Handle Unit                    | 1        |                        |
| 2        | AC50BCXWZV07 | Handle Grip - Right (Overmold) | 1        |                        |
| 3        | AC84PCXWZV06 | Hose Unit                      | 1        |                        |
| 4        | AC67BCXWZV07 | Handle Grip - Left (Overmold)  | 1        |                        |
| 5        | AC24PCXWZV07 | Hose Support                   | 1        |                        |
| 6        | AC27PCXWZV07 | Hose Rotary Cover              | 1        |                        |
| 7        | AXTN4+16BFY  | Screw                          | 7        | Shipped 10 per package |

## 2.4. Nozzle Housing

### 2.4.1. Exploded View

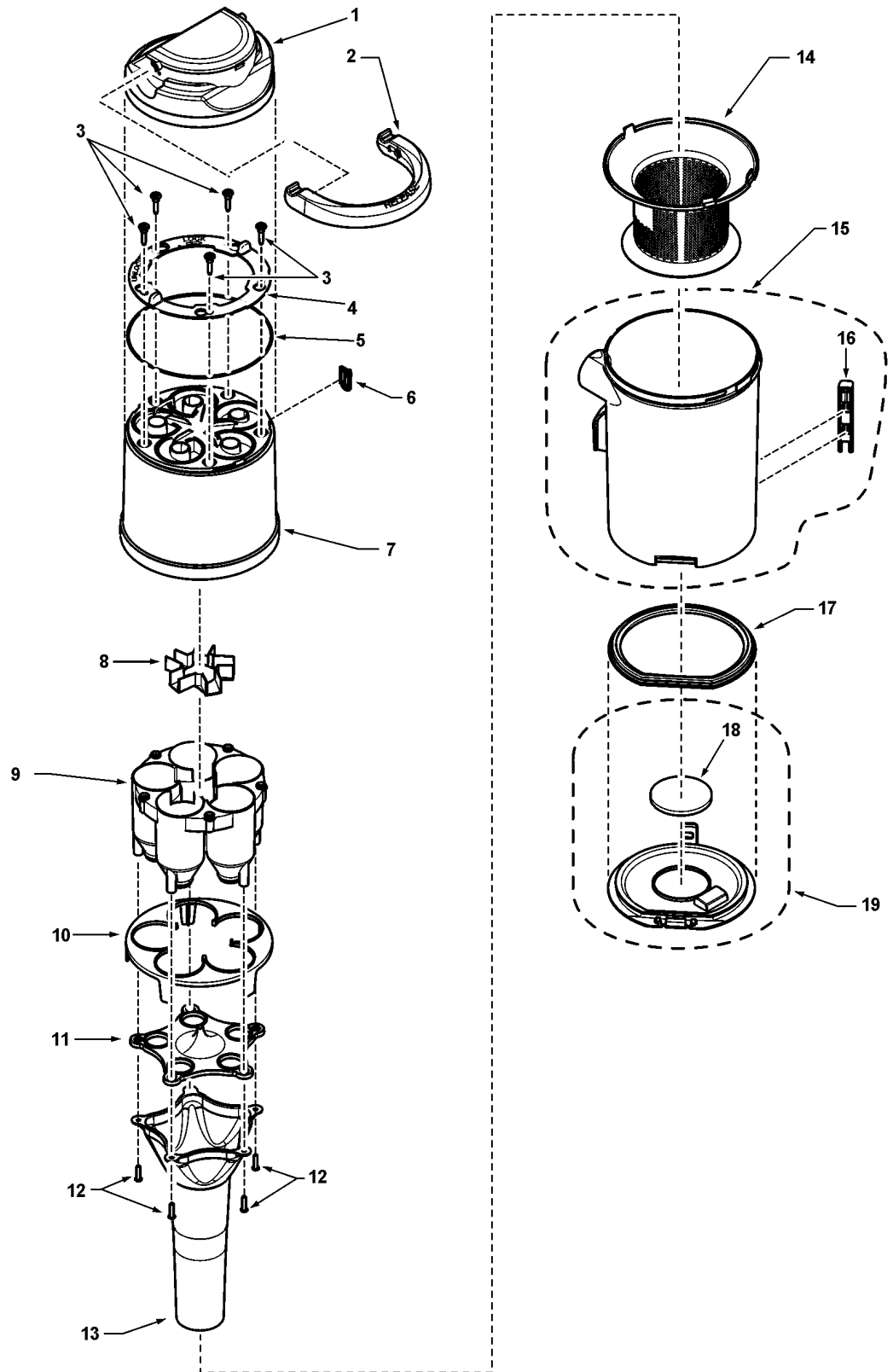


## 2.4.2. Parts List

| Ref No. | Part No.     | Part Name & Description | Quantity | Remarks                |
|---------|--------------|-------------------------|----------|------------------------|
| 1       | AC01ADKDZWH  | Nozzle Housing          | 1        |                        |
| 2       | AC02ACNFZV07 | Upper Body              | 1        |                        |
| 3       | AC16CNXZ00   | Roller Shaft            | 2        |                        |
| 4       | AC99QCYBZV06 | Nozzle Roller           | 2        |                        |
| 5       | AC12ACNFZV07 | Body Cap                | 1        |                        |
| 6       | AXTN4+16BFY  | Screw                   | 5        | Shipped 10 per package |
| 7       | AC10ACWZZV06 | Furniture Guard         | 1        |                        |
| 8       | AC30FAMAZ000 | Handle Release Assembly | 1        |                        |
| 9       | AMC51A-V30   | Pedal Shaft             | 1        |                        |
| 10      | AC58AAFVZ00  | Pedal Spring            | 1        |                        |
| 11      | AC47A2VZV06  | Pedal                   | 1        |                        |
| 12      | AXTN4+10BFY  | Screw                   | 1        | Shipped 10 per package |
| 13      | AMC68A-V30   | Screw For Body          | 2        |                        |
| 14      | AC04RANFZV06 | Nozzle Packing (Foam)   | 1        |                        |
| 15      | AC34PCNFZV06 | Nozzle Hose             | 1        |                        |
| 16      | AC84RCKPZ000 | Agitator Unit           | 1        |                        |
| 17      | AC28SJPZ00   | Belt                    | 1        |                        |
| 18      | AC27ACKPZV07 | Lower Plate             | 1        |                        |
| 19      | AMC70N-V30   | Stop Latch Spring       | 2        |                        |
| 20      | AMC68N-AVOK  | Latch                   | 2        |                        |
| 21      | AC43SAFXZ000 | Belt Guard              | 1        |                        |
| 22      | AC40RCNFZ000 | Floor Nozzle Spring     | 1        |                        |
| 23      | AC42AAFYZV06 | Foot Pedal Cover        | 1        |                        |
| 24      | AC57AAWFZ00  | Spring                  | 1        |                        |
| 25      | AC29QBKHZV06 | Hose Plug B             | 1        |                        |

## 2.5. Dust Bin Assembly

### 2.5.1. Exploded View



## 2.5.2. Parts List

| Ref. No. | Part No.     | Part Name & Description | Quantity | Remarks                |
|----------|--------------|-------------------------|----------|------------------------|
| 1        | AC20HDKEZV0Q | Lid                     | 1        |                        |
| 2        | AC64BDGMZV07 | Handle                  | 1        |                        |
| 3        | AMC68A-V30   | Screw                   | 5        |                        |
| 4        | AC15KDHKZV04 | Fastner                 | 1        |                        |
| 5        | AC74EDHKZ000 | Air Path Seal           | 1        |                        |
| 6        | AC83DDHKZV04 | Locking Cam             | 1        |                        |
| 7        | AC75KDKEZVUQ | Dust Box Terminal       | 1        |                        |
| 8        | AC21VDGMZU03 | Air Guide Blade         | 1        |                        |
| 9        | AC39LDGMZV04 | Air Guide               | 1        |                        |
| 10       | AC73HDGMZS01 | Partition Plate         | 1        |                        |
| 11       | AC04LDGMZV04 | Gasket                  | 1        |                        |
| 12       | AXTN4+16BFY  | Screw                   | 5        | Shipped 10 per package |
| 13       | AC36KDKEZV04 | Supporter Unit          | 1        |                        |
| 14       | AC43KDKEZS01 | Pre-Filter              | 1        |                        |
| 15       | AC42KDKEZ0U0 | Filter Case             | 1        |                        |
| 16       | AC48KDGZV07  | Slider                  | 1        |                        |
| 17       | AC73KDGZV06  | Dust Box Packing        | 1        |                        |
| 18       | AC74KDGZ000  | Dust Packing            | 1        |                        |
| 19       | AC25KDGZ000  | Dust Box Plate          | 1        |                        |