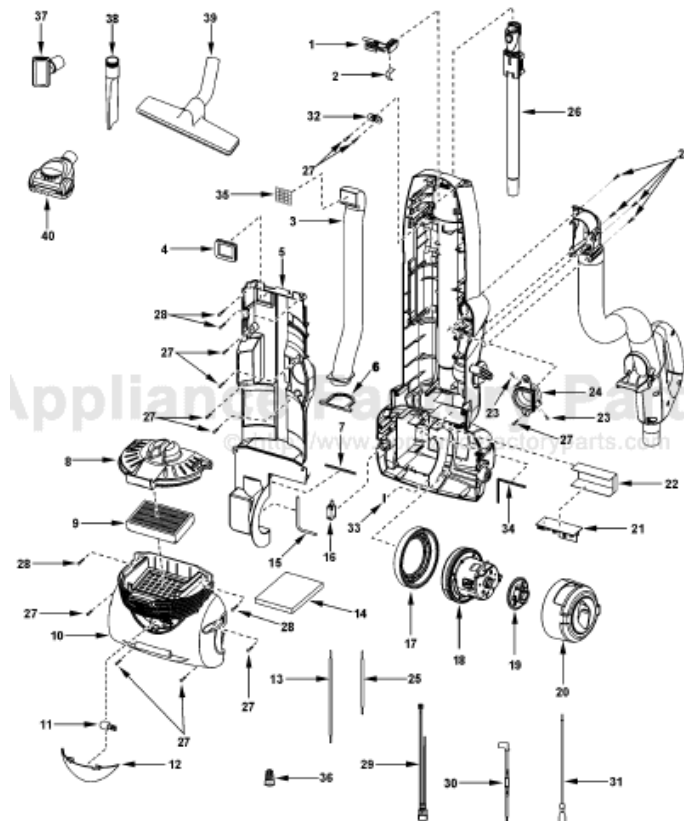


This Owner's Manual is provided and hosted by Appliance Factory Parts.



PANASONIC MC-UL975-00 Owner's Manual

[Shop genuine replacement parts for PANASONIC
MC-UL975-00](#)



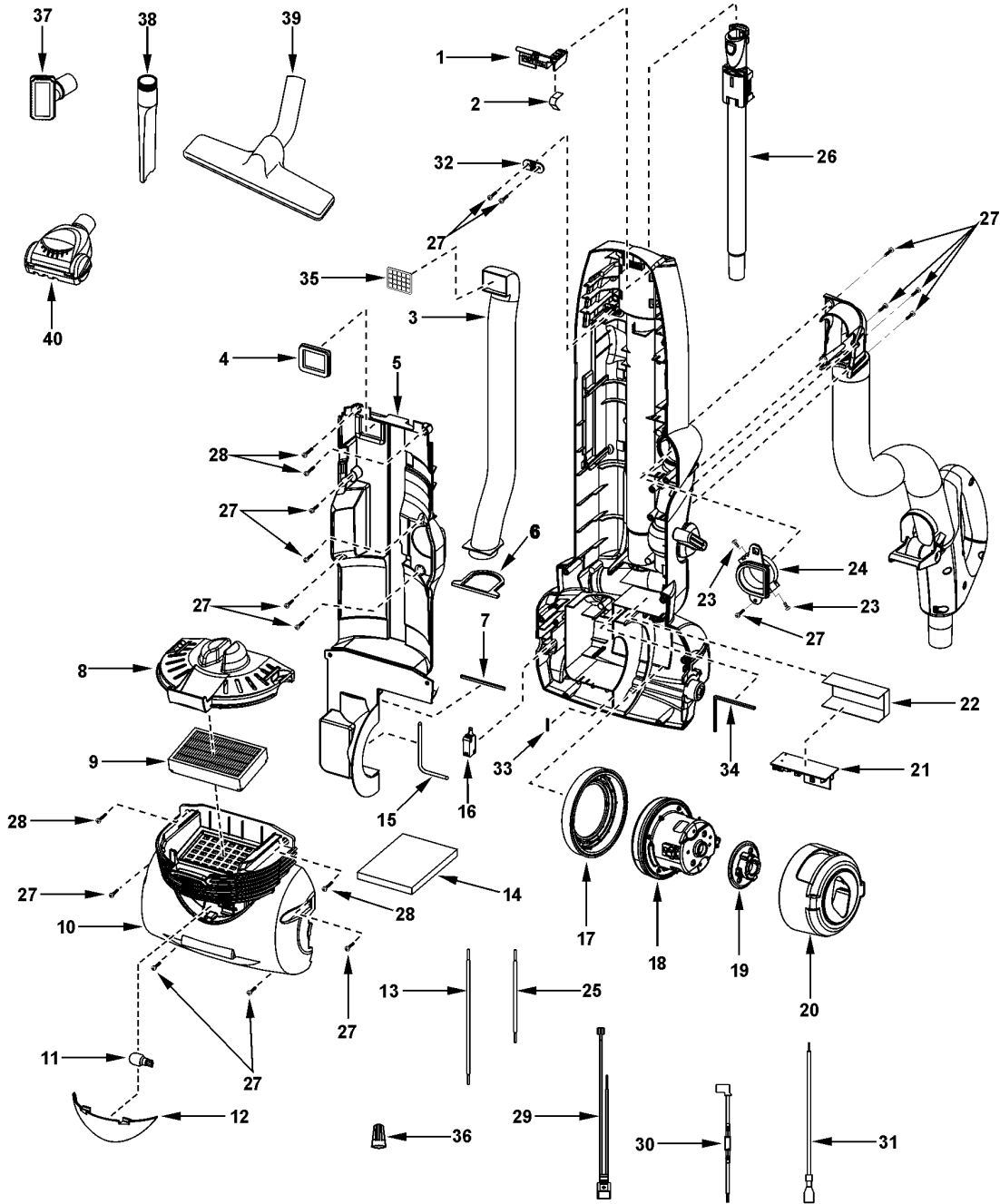
[Find Your PANASONIC Vacuum Cleaner Parts - Select From 605 Models](#)

----- Manual continues below -----

2 EXPLODED VIEW AND PARTS LIST

2.1. Body - Front

2.1.1. Exploded View

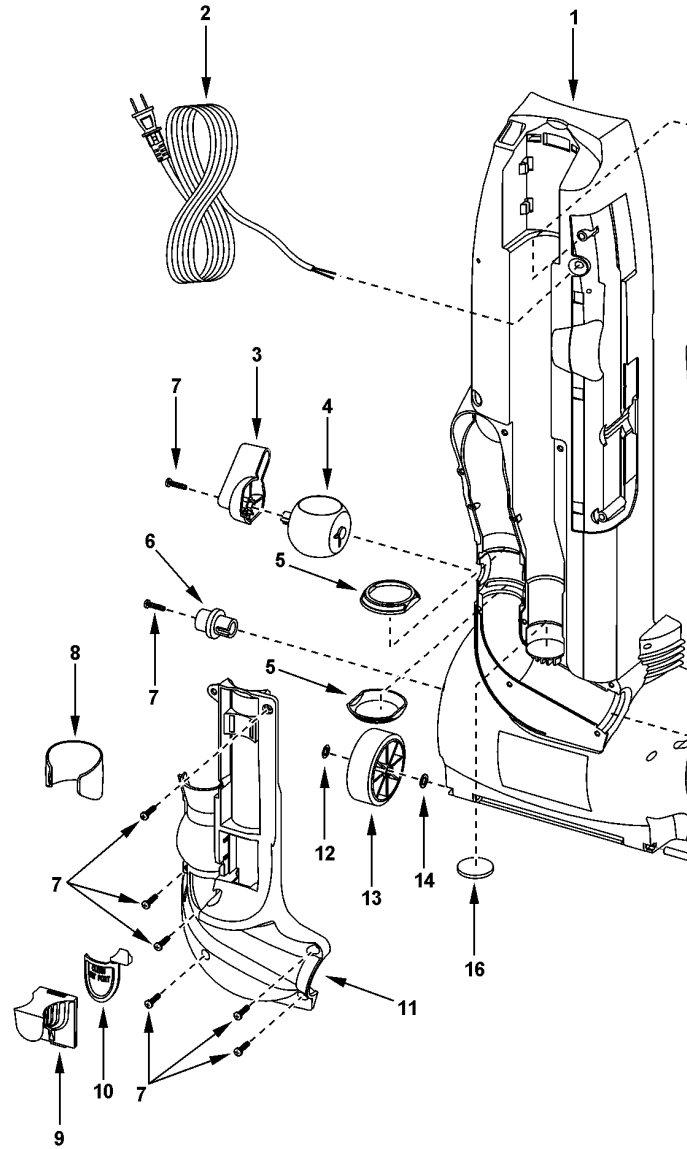


2.1.2. Parts List

Ref. No.	Part No.	Part Name & Description	Quantity	Remarks
1	AC15KCXWZV04	Fastener	1	
2	AC18DCXWZ00	Spring Release Button	1	
3	AC52PCXWZ000	Connector Pipe	1	
4	AC45KCXWZV04	Valve Grommet	1	
5	AC60KCXWZV07	Dust Cover	1	
6	AC74EDDRZ000	Seal	1	
7	AC19AADTZ000	Body Packing	1	
8	AC41KCXWZV07	Filter Cover	1	
9	AC38KBRMZ000	Exhaust Filter	1	
10	AC09FDDRZC09	Motor Case	1	
11	AC28GBKHZ000	Bulb	1	
12	AC21HCXWZ000	Window	1	
13	AC43GBJAZ000	Lead Wire - White	1	
14	AC02LCXWZ000	Rear Cover Packing	1	
15	AC66KCHDZ000	Dust Compartment Packing	1	
16	AC98EYUZ00	Switch ON/OFF	1	
17	AC02FCJNZ000	Motor Support Rubber	1	
18	AC92FCJNZ000	Fan Motor Unit	1	
19	AC03FCXWZ000	Motor Support (Rear)	1	
20	AC03FCNFZ000	Motor Support (Rear)	1	
21	AC88VCXWZ000	PCB C Unit	1	
22	AC67HCXWZ000	Partition Board	1	
23	AXTN3+8BFY	Screw	2	
24	AC11KCXWZV07	Bag Supporter Assembly	1	
25	AC43GBKGZ000	Lead Wire - White	1	
26	AC99PCXWZV07	Extension Wand Assembly	1	
27	AXTN4+16BFY	Screw	15	Shipped 10 per package
28	AXTN4+20BFY	Screw	4	Shipped 10 per package
29	AC93HCHDZ000	Bulb Socket	1	
30	AC99WCHDZ000	Lead Assembly	1	
31	AC43GDDRZ000	Lead Wire - White	1	
32	AMC62E-J20	Cord Stopper	1	
33	AC19ACXWZ000	Body Packing	1	
34	AC19ADDSZ000	Body Packing	1	
35	AC37KCXWZU01	Secondary Filter	1	
36	AMC-1CTCE23	Wire Nut	5	Shipped 10 per package
37	AC63RDDRZV06	Combination Brush	1	
38	AC60RAKZZV06	Crevice Tool	1	
39	AC96RCSRZV06	Floor Brush	1	
40	AC80SCWZZV0N	Air Turbine	1	

2.2. Body - Rear

2.2.1. Exploded View

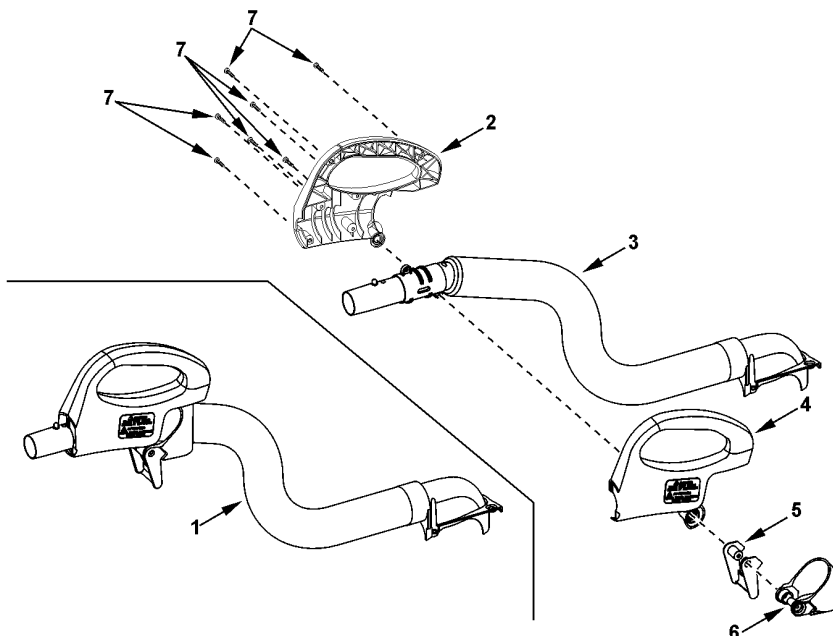


2.2.2. Parts List

Ref. No.	Part No.	Part Name & Description	Quantity	Remarks
1	AC40KCXWZVU7	Dust Compartment	1	
2	AC97EBZXZV06	Power Cord	1	
3	AC64JCXWZM0H	Knob	1	
4	AC51JCXWZ000	Control Valve	1	
5	AC50KCXWZ000	Valve Grommet	2	
6	AC13ECRCZ000	Nut - Nozzle Spring	1	
7	AXTN4+16BFY	Screw	10	Shipped 10 per package
8	AC23PCXWZV07	Hose Holder	1	
9	AC53EDDRZV07	Cord Storage Hook - Lower	1	
10	AC02HDDRZV04	Cover Lid	1	
11	AC48HCXWZV07	Cover - Rear	1	
12	AC74SUSZ00	Stopper Wheel	2	
13	AC99CBSAZV06	Wheel Unit	2	
14	AXWG6E115FY	Washer	2	
15	AC16CUSZ00	Roller Shaft	1	
16	AC74KCXWZ000	Dust Packing	1	
17	AC29QBKHZV06	Hose Plug	1	
18	AC53EZAZV06	Cord Storage Hook - Upper	1	
19	AC32RCXWZV07	Attachment Holder	1	

2.3. Handle

2.3.1. Exploded View

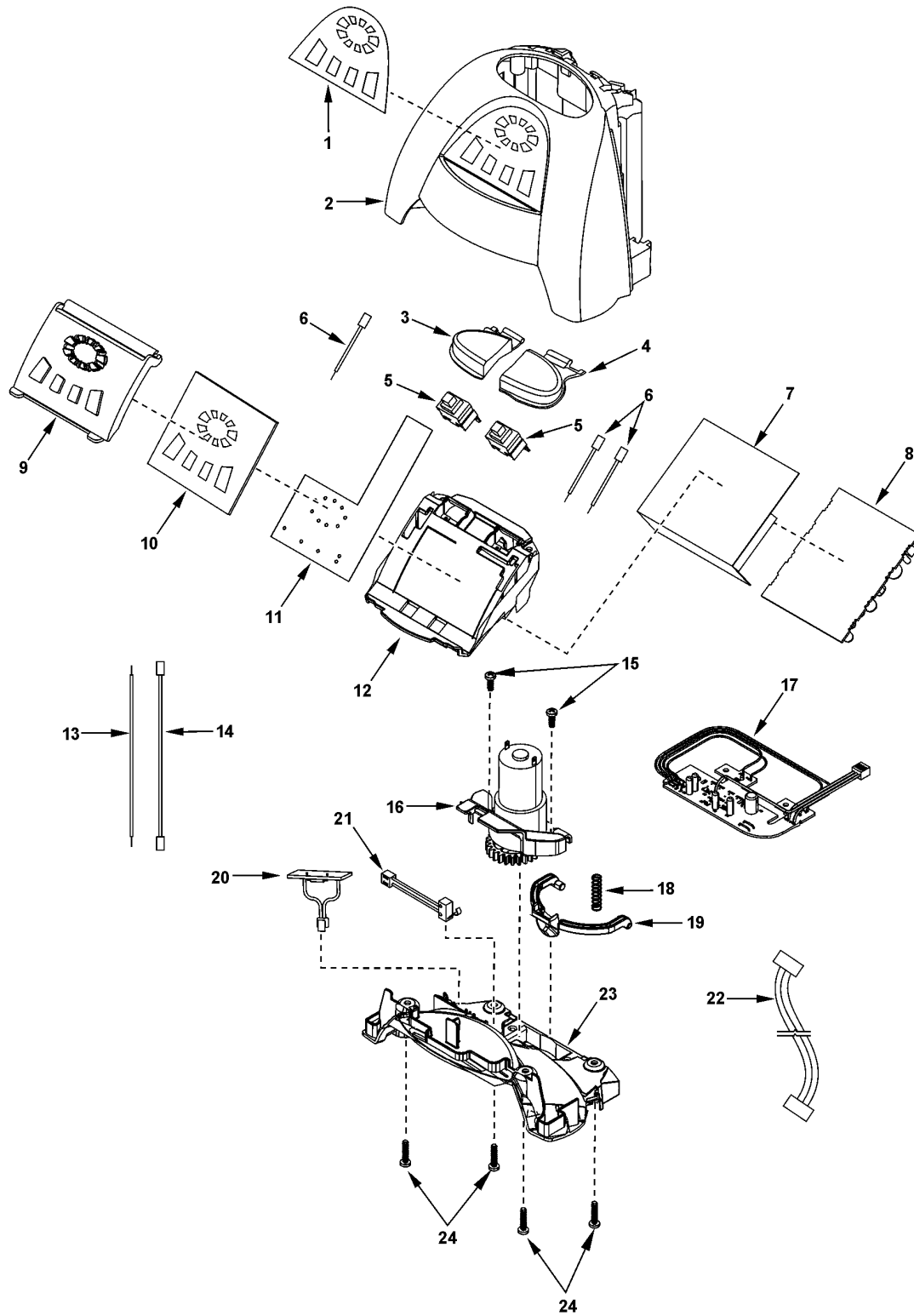


2.3.2. Parts List

Ref. No.	Part No.	Part Name & Description	Quantity	Remarks
1	AC95BCXWZV07	Handle Unit	1	
2	AC50BCXWZV07	Handle Grip - Right (Overmold)	1	
3	AC84PCXWZV06	Hose Unit	1	
4	AC67BCXWZV07	Handle Grip - Left (Overmold)	1	
5	AC24PCXWZV07	Hose Support	1	
6	AC27PCXWZV07	Hose Rotary Cover	1	
7	AXTN4+16BFY	Screw	7	Shipped 10 per package

2.4. Handle Cover Unit

2.4.1. Exploded View

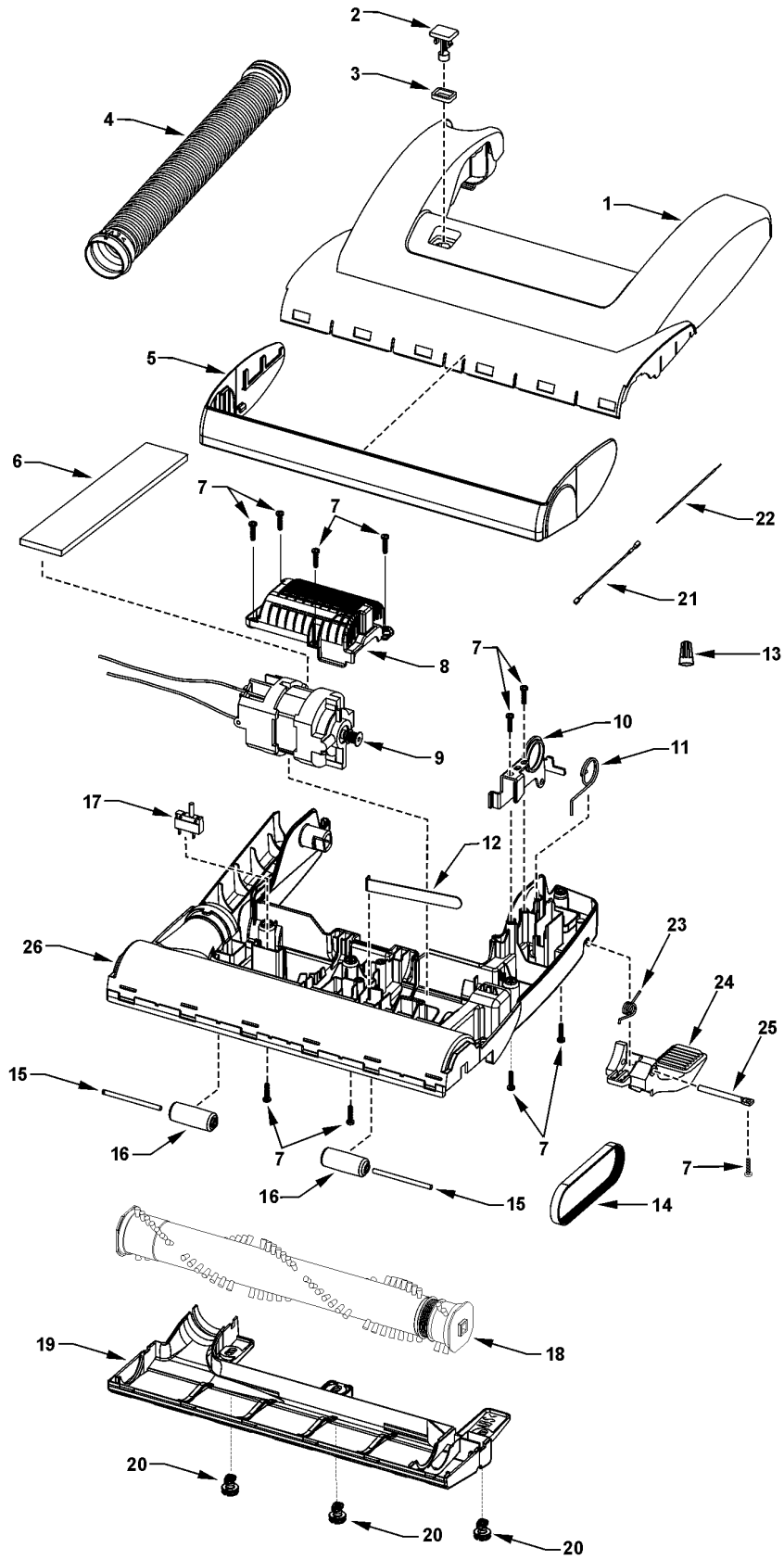


2.4.2. Parts List

Ref. No.	Part No.	Part Name & Description	Quantity	Remarks
1	AC21TCXWZ000	Ornamental Plate	1	
2	AC03EDDRZC09	Switch Cover	1	
3	AC05EDDSZU04	Switch Button Deco - Right	1	
4	AC05EDDRZSU1	Switch Button Deco - Left	1	
5	AC01EDDRZ000	Switch ON/OFF	2	
6	AC38GCXWZ000	Lead Wire - Black	3	
7	AC67HDDRZ000	Partition Board	1	
8	AC89VCXWZ000	PCB A Unit	1	
9	AC08MCXWZ000	Indicator Window	1	
10	AC09MCXWZ000	Packing Indicator	1	
11	AC47VCXWZ000	LED Unit	1	
12	AC12ECXWZ000	Switch Support	1	
13	AC38GDDTZ000	Lead Wire - Black	1	
14	AC38GDDSZ000	Lead Wire - Black	1	
15	AXTN4+10BFY	Screw	2	Shipped 10 per package
16	AC84CCXWZ000	Motor Unit	1	
17	AC87GCSRZ000	Dirt Sensor PCB	1	
18	AC18DDDRZ000	Spring	1	
19	AC15ECXWZV07	Switch Lever	1	
20	AC81VCXWZ000	PCB E Unit	1	
21	AC98ECXWZ000	Switch ON/OFF	1	
22	AC66ECXWZ000	Wire Harness	1	
23	AC19BCXWZV07	Handle Plate	1	
24	AXTN4+16BFY	Screw	4	Shipped 10 per package

2.5. Nozzle Housing

2.5.1. Exploded View

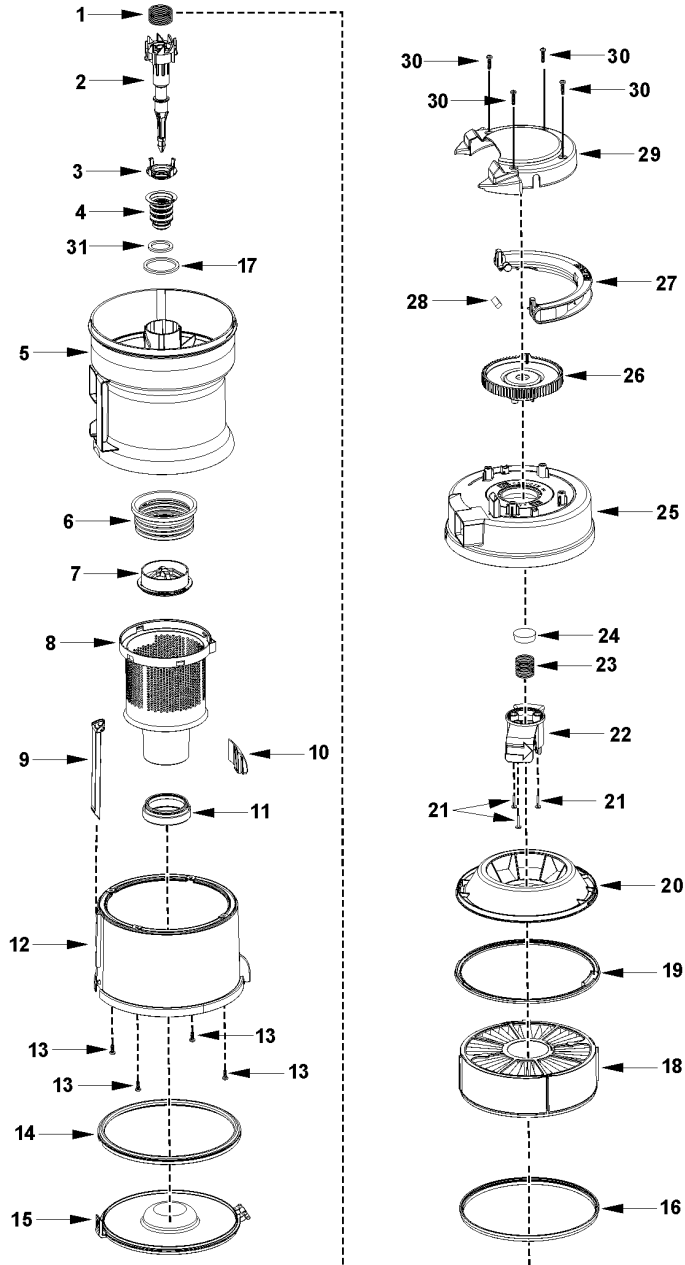


2.5.2. Parts List

Ref. No.	Part No.	Part Name & Description	Quantity	Remarks
1	AC01ACXWZUU1	Nozzle Housing	1	
2	AC13DCXWZMUH	Button	1	
3	AC75ACXWZ000	Packing	1	
4	AC34PCRAZV06	Nozzle Pipe	1	
5	AC10ACXWZV06	Furniture Guard	1	
6	AC747156	Motor Gasket	1	
7	AXTN4+16BFY	Screw	11	Shipped 10 per package
8	AC26FCXWZ000	Motor Cap	1	
9	AC90FCAMZ000	Motor Assembly	1	
10	AMC43A-2V0	Frame	1	
11	AC40RCXWZ000	Floor Nozzle Spring	1	
12	AMC742-002	Motor Adjustment Spring	1	
13	AMC-1CTCE23	Wire Nut	1	Shipped 10 per package
14	AC28SCXWZ000	Belt	1	
15	AC16CBBRZ00	Roller Shaft	2	
16	AC99CCXWZV07	Wheel	2	
17	AC76FCXWZ000	Overload Protector	1	
18	AC92SCXWZU01	Agitator Assembly	1	
19	AC27ACXWZV07	Lower Plate	1	
20	AC08DDBVZV07	Nozzle Latch	3	
21	AC38GDBVZ000	Lead Wire - Black	1	
22	AC43GBJAZ000	Lead Wire White	1	
23	AC58AAFVZ00	Pedal Spring	1	
24	AC47A2VZV06	Pedal	1	
25	AMC51A-2V0	Pedal Shaft	1	
26	AC03ACXWZV07	Lower Body	1	

2.6. Dust Bin Assembly

2.6.1. Exploded View



2.6.2. Parts List

Ref. No.	Part No.	Part Name & Description	Quantity	Remarks
1	AC71KCXWZ000	Spring (Outer Shaft)	1	
2	AC84SCXWZU01	Shaft Holding Pipe Unit	1	
3	AC67JCXWZU01	Cap Seal	1	
4	AC18KCXWZU01	Expander (Shaft)	1	
5	AC42KCXWZ0U0	Filter Case (Upper)	1	
6	AC18KDDRZU01	Expander	1	
7	AC79JCXWZU01	Air Inlet Guide Unit	1	
8	AC43KXCWZS01	Pre-Filter	1	
9	AC48KXCWZM0H	Slider	1	
10	AC81KXCWZV07	Dust Box Holder	1	
11	AC03LCXWZV04	Gasket A (Pre-Filter)	1	
12	AC42KDDRZ0U0	Filter Case (Lower)	1	
13	AXTN4+10BFY	Screw	4	Shipped 10 per package
14	AC73KXCWZV04	Dust Box Packing	1	
15	AC25KXCWZV07	Dust Box Plate	1	
16	AC04LCXWZV04	Gasket B (Filter Outer)	1	
17	AC74KDDRZ000	Dust Packing	1	
18	AC95KXCWZM0H	Filter Unit	1	
19	AC74ECXWZV04	Seal (Frame Air Guide)	1	
20	AC43ADDRZ000	Frame (Air Guide)	1	
21	AXTN3+16BFY	Screw	3	
22	AC39LCXWZR0W	Air Guide	1	
23	AC70KDDSZP00	Protector Spring	1	
24	AC69KJMV07	Protector	1	
25	AC98HCXWZ000	Lid Unit	1	
26	AC16SCXWZR0W	Gear	1	
27	AC64BCXWZU04	Handle	1	
28	AC41RCXWZ000	Magnetic Part	1	
29	AC02HCXWZ000	Cover Lid	1	
30	AXTN4+16BFY	Screw	4	Shipped 10 per package
31	AC51KXCWZ000	Filter Case Packing	1	