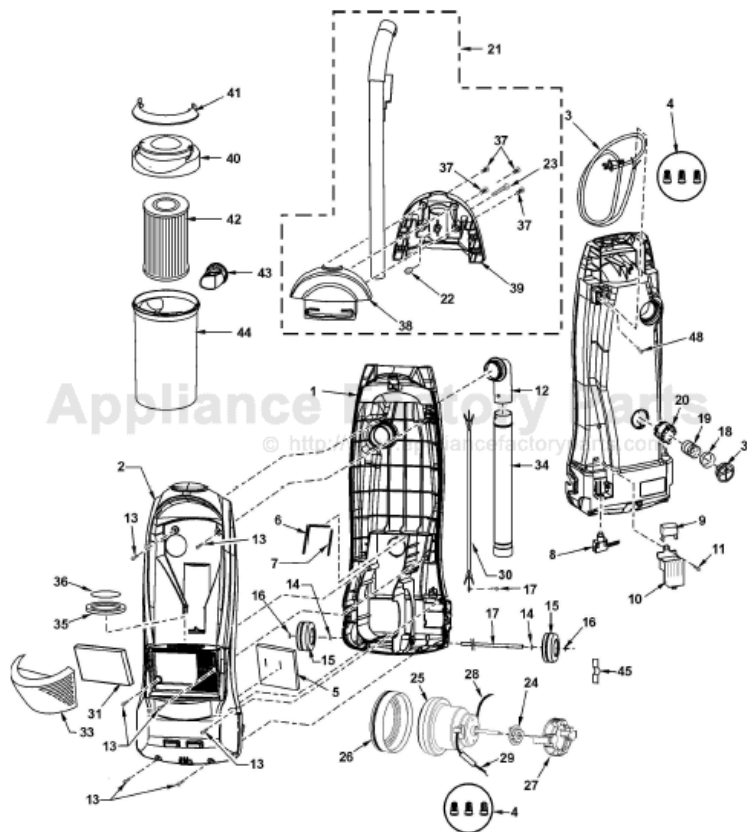


This Owner's Manual is provided and hosted by [Appliance Factory Parts](http://ApplianceFactoryParts.com).



# PANASONIC MC-V413-00 Owner's Manual

[Shop genuine replacement parts for PANASONIC  
MC-V413-00](#)



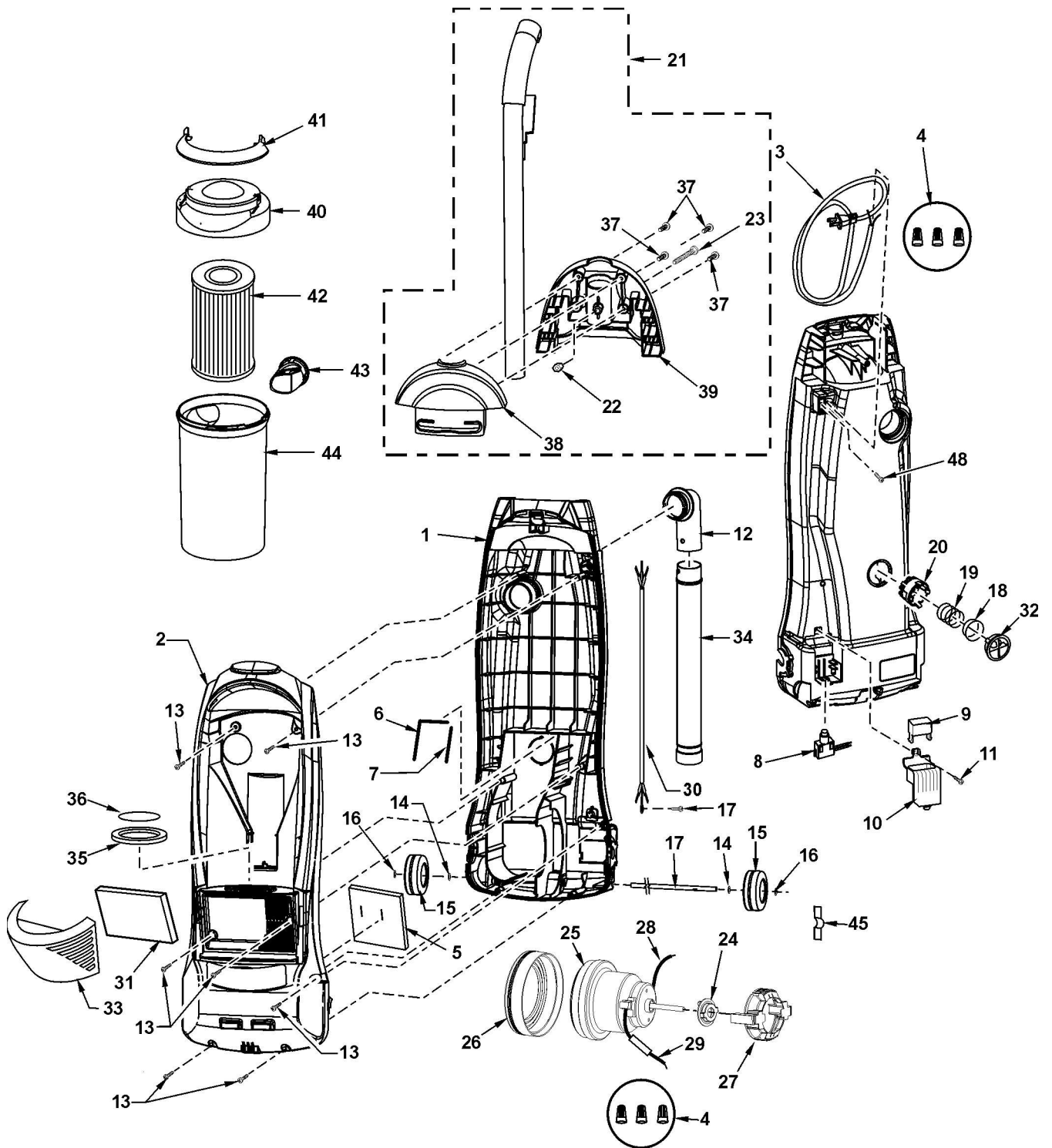
[Find Your PANASONIC Vacuum Cleaner Parts - Select From 605 Models](#)

----- Manual continues below -----

# 2 EXPLODED VIEW AND PARTS LIST

## 2.1. Body

### 2.1.1. Exploded View

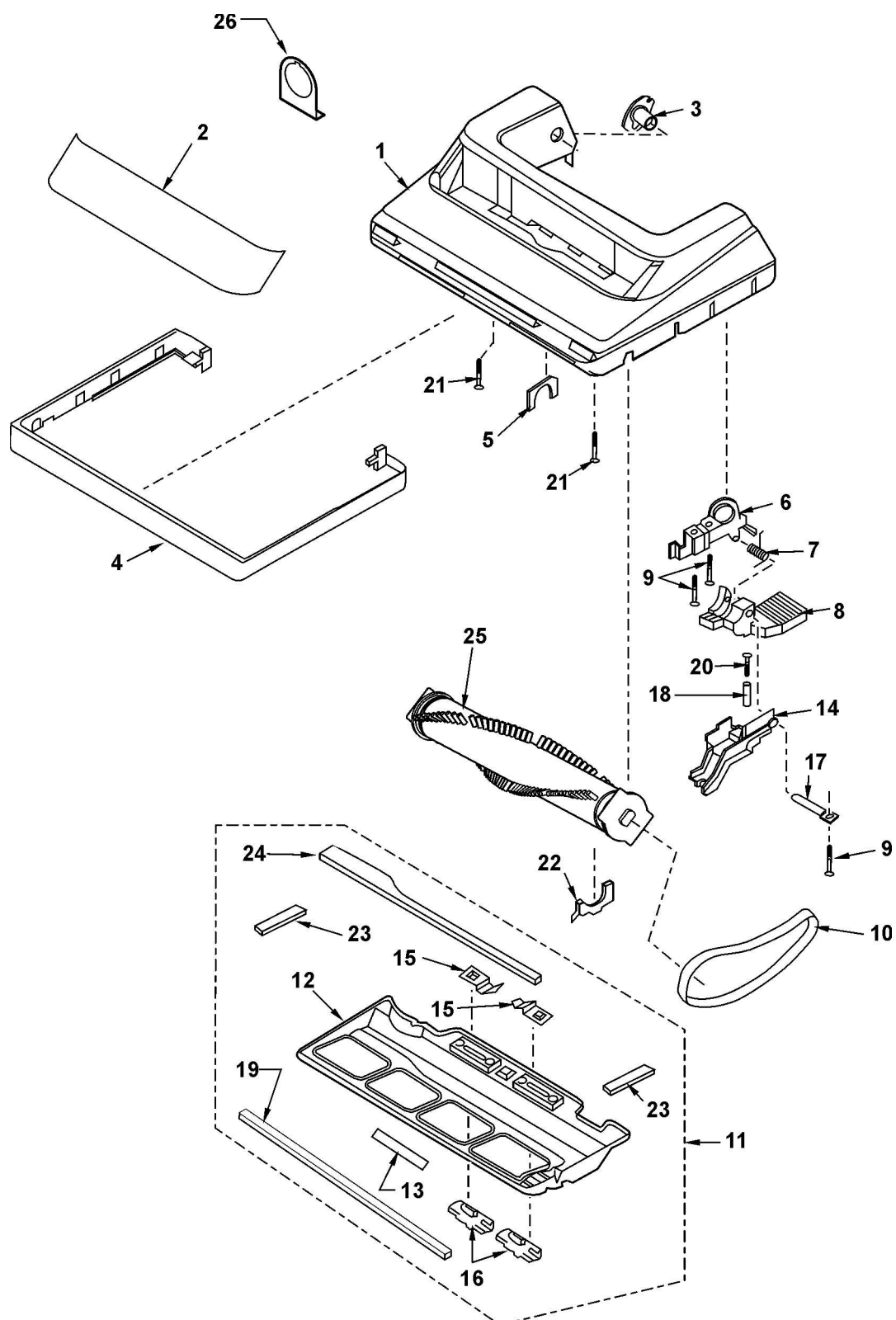


## 2.1.2. Parts List (Body)

Ref. No.	Part No.	Part Name & Description	Quantity	Remarks
1	AC78KCHTZV07	Dust Compartment	1	
2	AC60KBRSZP0A	Dust Cover	1	
3	AC94EAPNZU00	Power Cord	1	
4	AMC-1CTCE23	Wire Connector		Shipped 10 per package
5	AC02LBJAZ000	Rear Cover Packing	1	
6	AC40AYUZV00	Body Packing Left	1	
7	AC39AAJFZV00	Body Packing Right	1	
8	AC01EAMMZ000	On/Off Switch	1	
9	AC01EAMMZV07	ON/Off Button	1	
10	AC03EAMMZV07	Switch Cover	1	
11	AXTN4+16BFY	Screw Switch Cover	1	Shipped 10 per package
12	AC60HCHTZV07	Suction Inlet	1	
13	AXTN4+16BFY	Screw Body	7	Shipped 10 per package
14	AXWG6E115Y	Washer (Wheel)	2	Shipped 10 per package
15	AMC01C-V00U	Wheel	2	
16	AC74SUSZ00	Stopper (Wheel)	2	Shipped 10 per package
17	AC16CUSZ00	Shaft Roller	1	
18	AC69KJMZV07	Protector	1	
19	AC70KAGZZR00	Protector Spring	1	
20	AC68KJMZV07	Protector Cover	1	
21	AC95BCHTZV07	Handle Assembly	1	
22	AMP21B-170	Nut Handle	1	Shipped 10 per package
23	AMC73B-V00	Screw Handle	1	
24	AC03FAFVZ000	Motor Support Rubber (Rear)	1	
25	AC92FAWRZ00	Motor Fan	1	
26	AMC02F-E00	Motor Support Rubber (Front)	1	
27	AC26FCHTZ000	Motor Cap	1	
28	AC38GARTZ000	Lead Wire Motor	1	
29	AC99WBDNZ000	Lead Wire Assembly	1	
30	AC37GTEZ0U	Wire Cord	1	
31	AC38KCNPZ000	Filter Exhaust (HEPA)	1	
32	AC18MJMZV07	Protector Support	1	
33	AC41KCWVZPUA	Cover Filter	1	
34	AC34PV02V06	Hose	1	
35	AC74KBFEZ000	Packing Dust	1	
36	AC37KBYDZ000	Secondary Filter	1	
37	AXTN4+16BFY	Screw Handle		Shipped 10 per package
38	AC06BCHTZV07	Handle Cover A	1	
39	AC07BCHTZV07	Handle Cover B	1	
40	AC14BCHFZV07	Handle Lid	1	
41	AC64BBFEZV07	Handle	1	
42	AC95KBRSZ000	Filter Unit	1	
43	AC45KBFEZ000	Valve Grommet	1	
44	AC42KCWVZBUU	Filter Case	1	
45	AC78NZA000	Plastic Holder	1	
46	AC73BZA000	Screw (Handle)	1	Shipped 10 per package
47	AXYN4+E10FFY	Screw (Ground)	1	Shipped 10 per package
48	AXTN4+16BFY	Screw	1	Shipped 10 per package

## 2.2. Nozzle Housing

### 2.2.1. Exploded View



## 2.2.2. Parts List (Nozzle Housing)

Ref. No.	Part No.	Part Name & Description	Quantity	Remarks
1	AC01ACWVZPUA	Nozzle Housing	1	Includes item 4
2	AC21H2XZP0A	Window	1	
3	AMC25S-V00	Shaft (Plastic)	1	
4	AC10A2VZV07	Furniture Guard	1	
5	AMC81A-V00	Packing (Nozzle)	1	
6	AMC43A-2V0	Frame	1	
7	AMC58A-2V0	Spring (Pedal)	1	
8	AC47A2VZV07	Pedal	1	
9	AXTN4+16BFY	Screw (Frame)		Shipped 10 per package
10	AC28SJPZ00	Belt	1	
11	AC91AARFZ00	Lower Plate Assembly	1	
12	AC27AADGZ00	Lower Plate	1	
13	AC07ZADFZ00	Warning Label	1	
14	AMC11S-2V0W	Belt Cover (Rear)	1	
15	AC70NYUZ00	Stop Latch Spring		
16	AMC68N-V30K	Latch		
17	AMC51A-2V0	Pedal Shaft	1	
18	AMC74S-Z100G	Spacer	1	Shipped 10 per package
19	AC74AAAEZ00	Packing (Lower Plate Front)	1	
20	AXTN4+30BFY	Screw (Spacer)	1	Shipped 10 per package
21	AMC68A-V30	Screw (Nozzle)		Shipped 10 per package
22	AMC82A-2V0	Agitator Holder	1	
23	AMC39A-2V0	Packing (Lower Plate Sides)		
24	AMC74A-2V0	Packing (Lower Plate Back)	1	
25	AC84RBZDZ000	Agitator Unit	1	
26	AMC24P-2V0	Hose Supporter	1	