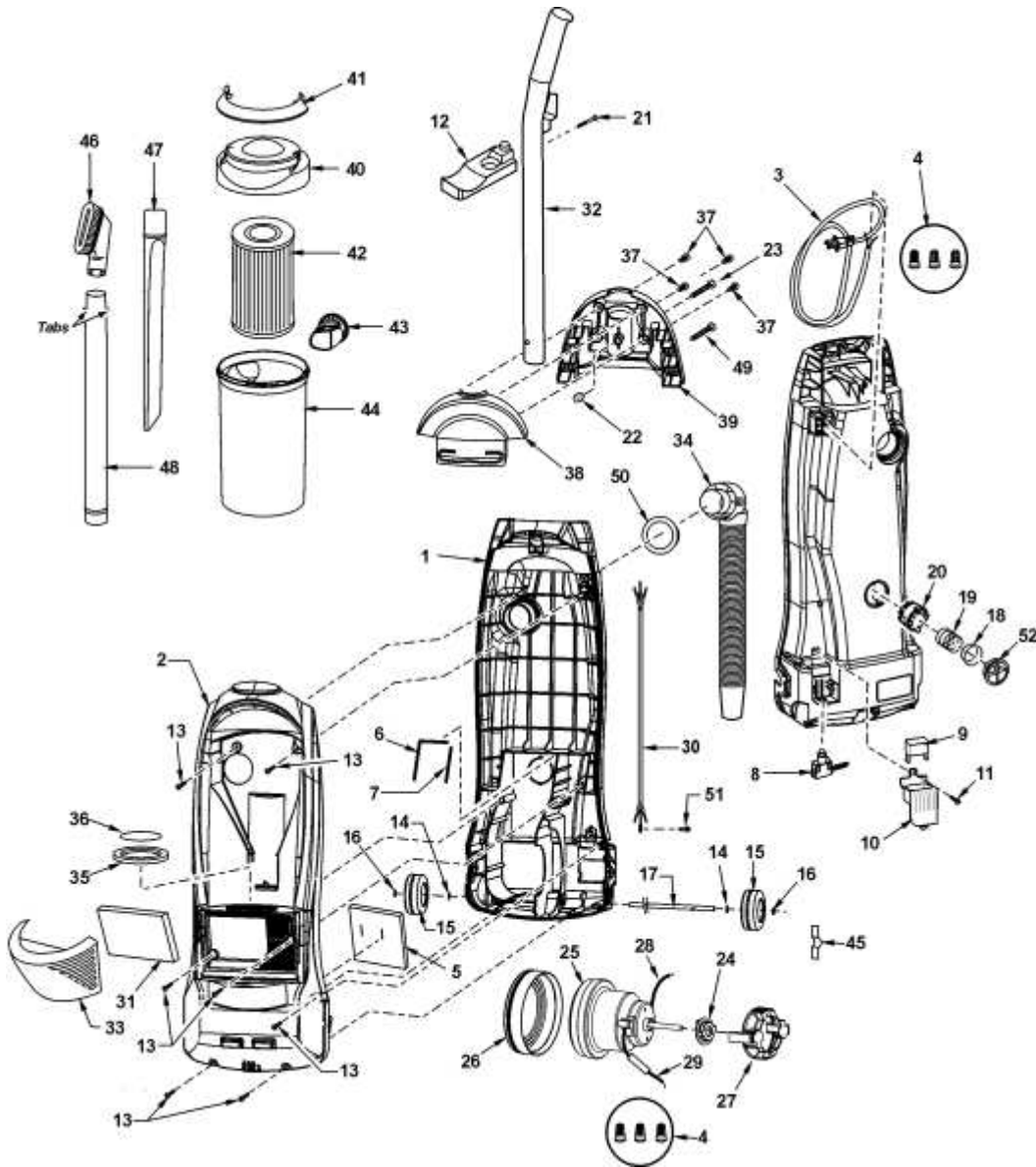


2.1 Body

2.1.1 Exploded View



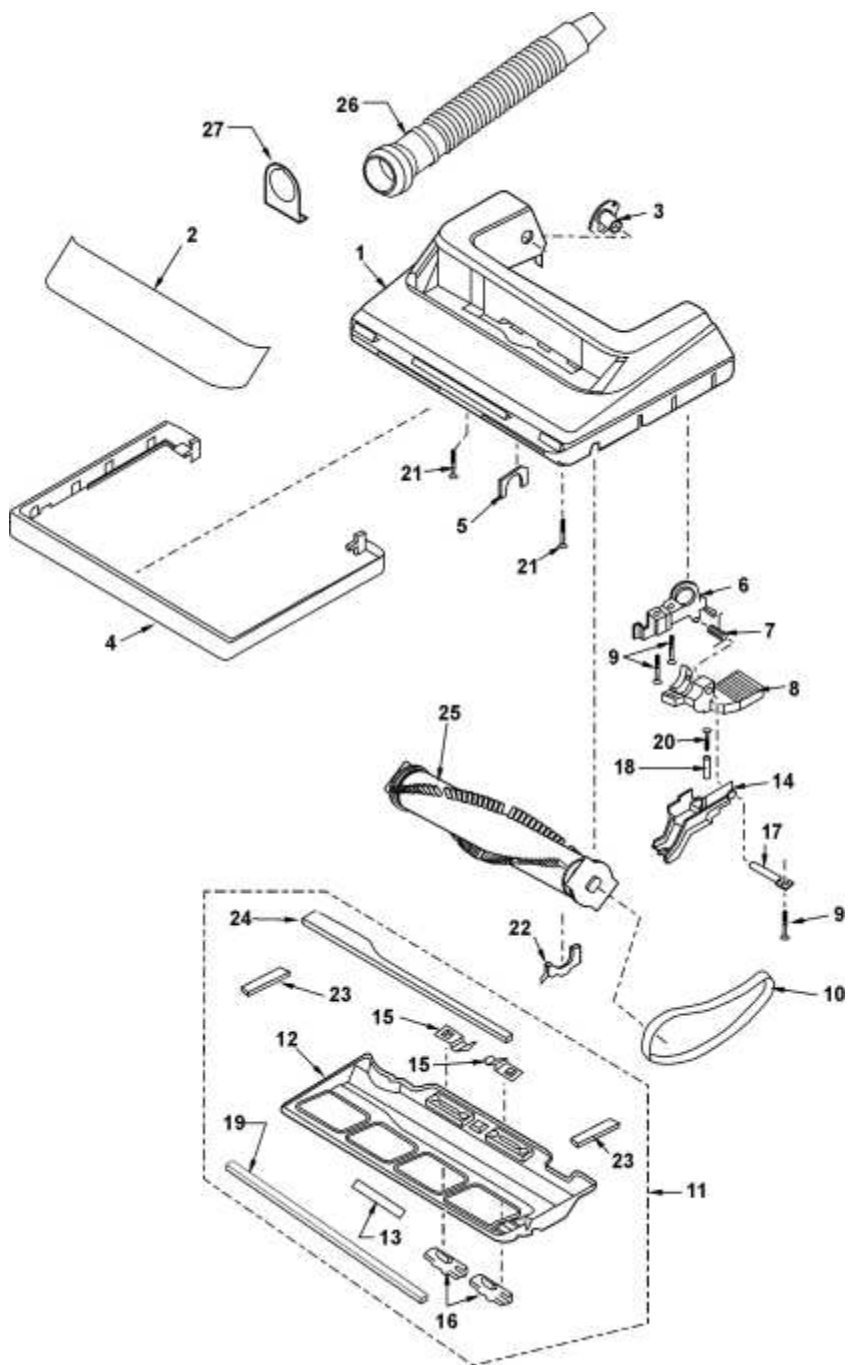
2.1.2 Parts List (Body)

Ref No.	Part No.	Part Name & Description	Quantity	Remarks
1	AC88KCUGZV07	Dust Container Unit	1	
2	AC60KBRZSU01	Dust Cover Assembly	1	
3	AC94EAPNZY02	Power Cord	1	
4	AMC-1CTGE23	Wire Connector	6	Shipped 10 per package
5	AC02LBJAZ000	Rear Cover Packing	1	
6	AC40AYUZV00	Packing (Left)	1	
7	AC39AAJFZV00	Packing (Right)	1	
8	AC01EAMMZ000	Switch On-Off	1	
9	AC01EAMMZV07	ON/OFF Button	1	

10	AC03EAMMZV07	Switch Cover	1	
11	AXTN4+16BFY	Screw	1	Shipped 10 per package
12	AC23PJPZV07	Hose Holder	1	
13	AXTN4+16BFY	Screw	7	Shipped 10 per package
14	AXWG6E115FY	Washer	2	Shipped 10 per package
15	AC01CV0ZVUB	Wheel	2	
16	AC74SUSZ00	Wheel Stopper	2	
17	AC16CUSZ00	Shaft (Wheel)	1	Includes item 16 (2)
18	AC69KJMZV07	Protector	1	
19	AC70KAGZZR00	Protector Spring	1	
20	AC68KJMZV07	Protector Case	1	
21	AXTN4+45BFY	Screw (Hose Holder)	1	Shipped 10 per package
22	AMP21B-170	Nut	1	Shipped 10 per package
23	AMC73B-V00	Screw (Handle)	1	Shipped 10 per package
24	AC03FAFVZ000	Motor Support (Rubber)	1	
25	AC92FAWRZ00	Fan Motor	1	Includes items 28 and 29
26	AMC02F-E00	Motor Support (Rubber)	1	
27	AC26FCHTZ000	Motor Cap	1	
28	AC38GARTZ000	Lead Wire Assembly	1	
29	AC99WBDNZ000	Lead Wire Assembly	1	
30	AC37GTEZ0U	Wire Cord	1	
31	AC38KCNPZ000	Exhaust Filter (HEPA)	1	
32	AC99BCUGZV06	Handle Unit	1	
33	AC41KCUGZUU3	Filter Cover	1	
34	AC84PASKZV06	Hose Unit	1	
35	AC74KBFEZ000	Packing (Dust Container)	1	
36	AC37KBYDZ000	Secondary Filter	1	
37	AXTN4+16BFY	Screws	4	Shipped 10 per package
38	AC06BCHTZV07	Handle Cover A	1	
39	AC07BCHTZV07	Handle Cover B	1	
40	AC14BCHFZV07	Handle Lid	1	
41	AC64BBFEZV07	Handle Assembly	1	
42	AC95KBRSZ000	Filter Assembly	1	
43	AC45KBFEZ000	Valve Grommet	1	
44	AC42KCHTZBUU	Filter Case	1	
45	AC78NZZAZ000	Plastic Holder	1	
46	AC88RYUZV06	Dusting Brush	1	
47	AC60RZVFZVU6	Crevice Tool	1	
48	AC40PZG1V06	Wand	1	
49	AC73BZAZ00	Screw (Handle)	1	Shipped 10 per package
50	AC64HAMMZ00	Suction Inlet Packing	1	
51	AXYN4+E10FFY	Screw	1	Shipped 10 per package
52	AC18MJMZV07	Protector Support	1	

2.2 Nozzle Housing

2.2.1 Exploded View



2.2.2 Parts List (Nozzle Housing)

Ref. No.	Part No.	Part Name & Description	Quantity	Remarks
1	AC01ACHTZU03	Nozzle Housing	1	Includes item 4
2	AC21H2XZU03	Window	1	
3	AMC25S-V00	Shaft (Plastic)	1	
4	AC10A2VZV07	Furniture Guard	1	
5	AMC81A-V00	Packing (Nozzle)	1	
6	AMC43A-2V0	Frame	1	
7	AMC58A-2V0	Spring (Pedal)	1	
8	AMC47A-2V0U	Pedal	1	
9	AXTN4+16BFY	Screw (Frame)	3	Shipped 10 per package
10	AC28SJPZ00	Belt	1	
11	AC91AARFZ00	Lower Plate Assembly	1	
12	AC27AADGZ00	Lower Plate	1	
13	AC07ZADFZ00	Warning Label	1	
14	AMC11S-2V0W	Belt Cover (Rear)	1	
15	AC70NYUZ00	Stop Latch Spring	2	
16	AMC68N-V30K	Latch	2	

17	AMC51A-2V0	Pedal Shaft	1	
18	AMC74S-Z100G	Spacer	1	
19	AC74AAAEZ00	Packing (Lower Plate Front)	1	
20	AXTN4+30BFY	Screw (Spacer)	1	Shipped 10 per package
21	AMC68A-V30	Screw (Nozzle)	2	Shipped 10 per package
22	AMC82A-2V0	Agitator Holder	3	
23	AMC39A-2V0	Packing (Lower Plate Sides)	2	
24	AMC74A-2V0	Packing (Lower Plate Back)	1	
25	AC84RBZDZ000	Agitator Unit	1	
26	AC34PASKZV06	Nozzle Hose	1	
27	AMC24P-2V0	Hose Supporter	1	

2.3 Packing Material

2.3.1 Exploded View

2.3.2 Parts List

Ref. No.	Part No.	Part Name & Description	Quantity	Remarks
1	AC61ZCHTZ000	Packaging Assembly	1	Includes 1 and items a-g
2	AC01ZCUGZ000	Operating Instructions	1	