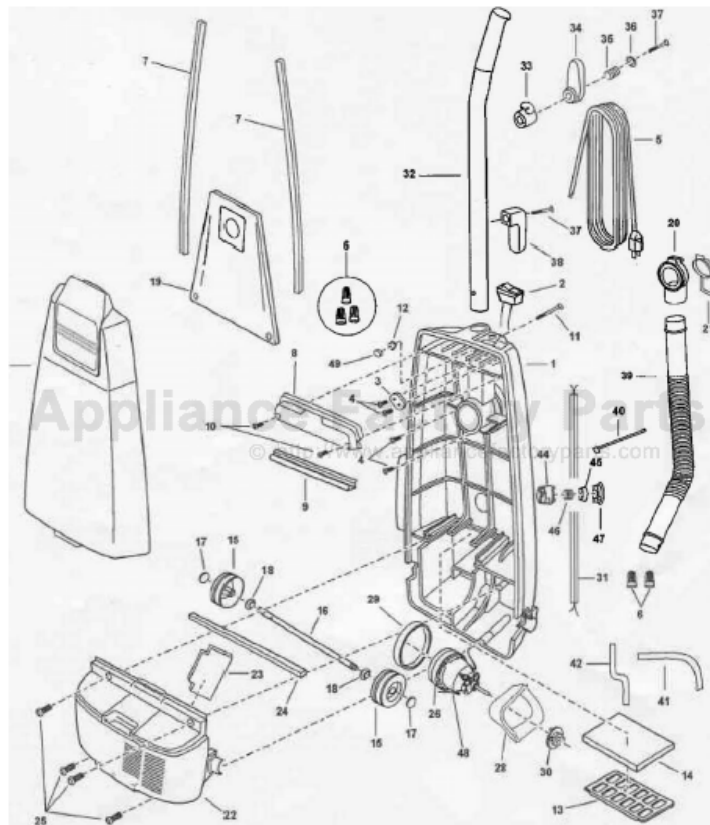


This Owner's Manual is provided and hosted by [Appliance Factory Parts](#).



# PANASONIC MC-V5009-00 Owner's Manual

[Shop genuine replacement parts for PANASONIC  
MC-V5009-00](#)



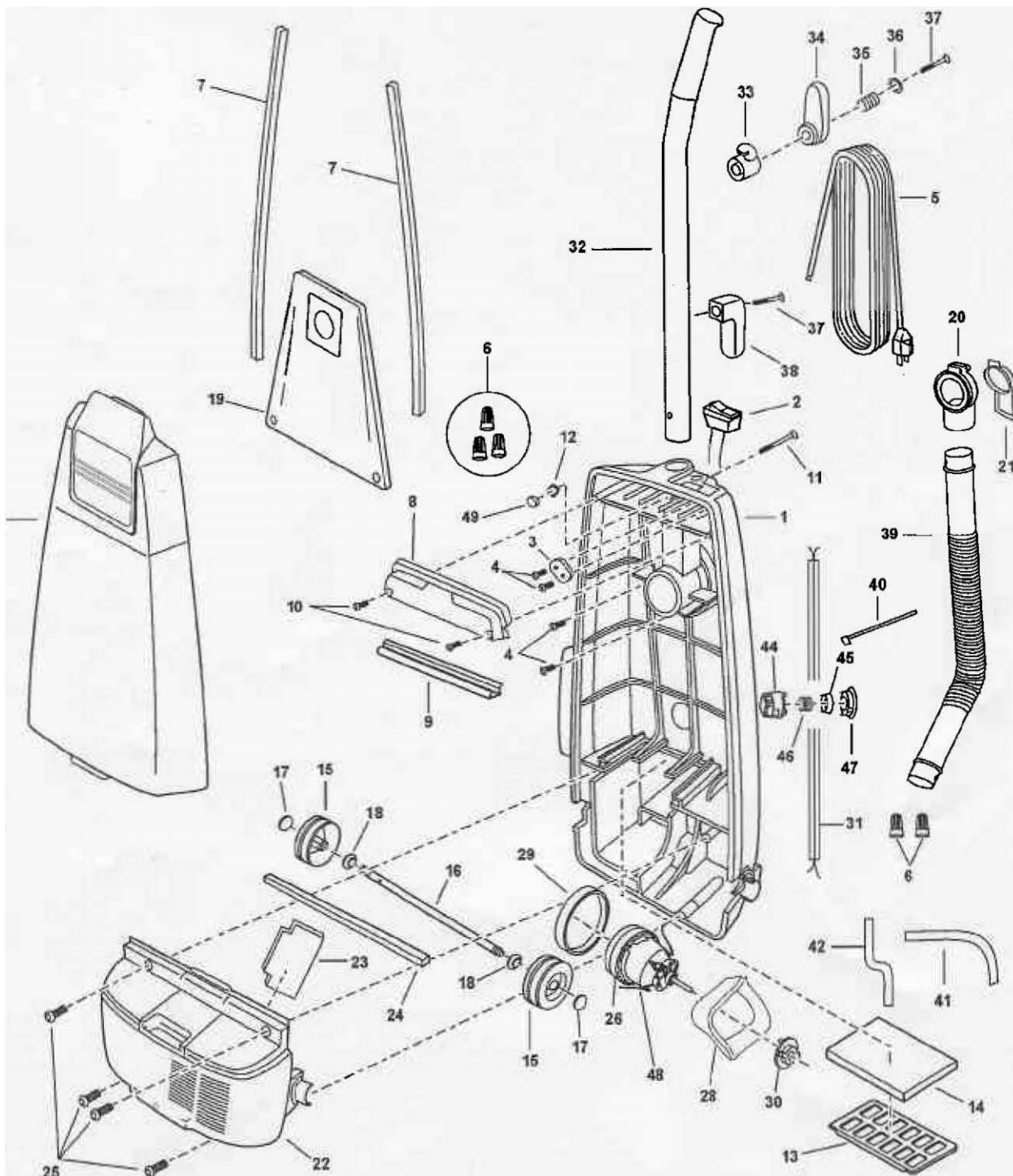
[Find Your PANASONIC Vacuum Cleaner Parts - Select From 605 Models](#)

----- Manual continues below -----

## 2 EXPLODED VIEW AND PARTS LIST

### 2.1. Body

#### 2.1.1. Exploded View

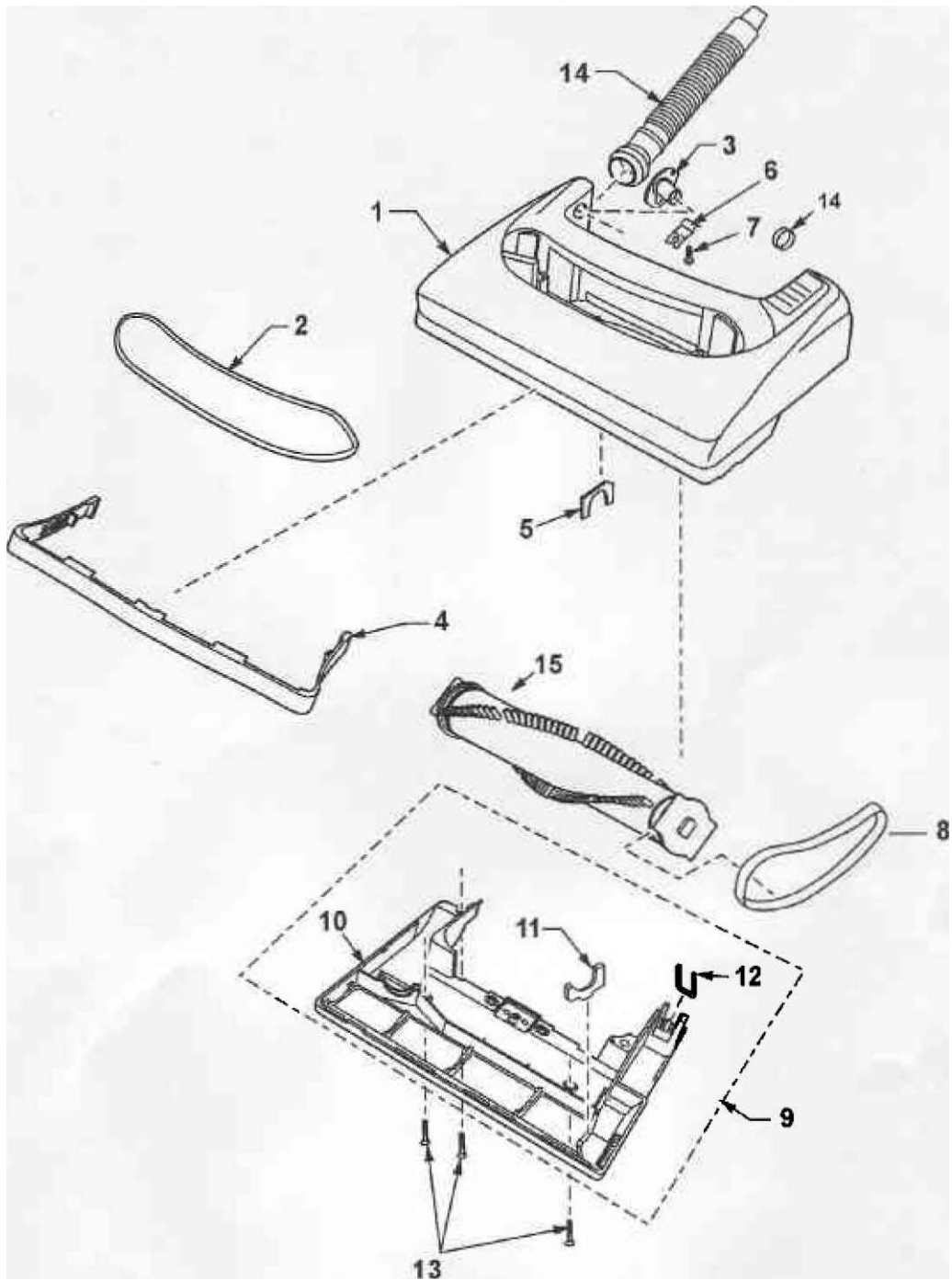


## 2.1.2. Parts List (Body)

Ret. no.	Part No.	Part Name S Description	Quantity	Remarks
~ r ~	AC40KBJYZV07	Dust Compartment Unit p - "7		Includes items 41 and 42 Packing
2	AMC98E-V010U	ON/OFF Switch	1	Includes items 3.40 and 49
3	AMC62E-J20	Cord Stopper	1	
4	AXTN4+16SFY	Screw	4	Shipped 10 per package
5	AC97EAEKZV06	Power Cord	1	
6	AMC-1CTCE23	Wire Connector	5	Shipped 10 per package
7	AC66KV01V05	Packing (Dust Container)	2	
8	AC03EV07V06	Switch Cover	1	Includes 3, 40 and 49
9	AC73KV0ZV06	Packing (Switch Cover)	1	
10	AXIN4+1bbl-Y	Screw (Switch Cover)	2	Shipped 10 per package
11	AMC73B-VQ0	Handle Screw	1	Shipped 10 per package
12	AMP21B-170	Nut (Handle Screw)	1	Shipped 10 per package
13	AMC32K-V00	Filter Supporter	1	
14	AC37KAAEZ00	Secondary Filter (HEPA)	1	
15	AC01CVZV07	Wheel	2	
16	AC16CUSZ00	Shaft (Wheel)	1	Includes item 17
17	AC74SUSZ00	Stopper (Wheel)	2	Shipped 10 per package
18	AXWG6E115FY	Washer (Wheel)	2	Shipped 10 per package
19	AC16KBYTZ000	Dust Bag (Type U6)	1	
20	AC60HF74VU6	Suction Inlet	1	
21	AMC02H-F70E	Cover (Suction Inlet)	1	
22	AC09FBJXZB0Z	Motor Case ^ -	1	
23	AC02LBJYZ00	Packing (Rear Cover)	1	
24	AC19FJPZV06	Packing (Motor Case)	1	
25	AXTN4+20BFY	Screw (Motor Case)	4	
26	AC92FBJXZ00	Fan Motor unit fc - ^^ ]	1	
27	AC69RAKEZ00	Carbon Brush	1 (Set)	
28	AC99GAMMZ00	Noise Suppressor	1	
29	AMC02F-E00	Motor Support (Front)	1	
30	AMC03F-V00	Motor Support Rubber (Rear)	1	
31	AMC37G-V020U	Wire Cord	1	
32	AMC64B-V2Z00	Handle		
33	AC55EV0ZV07	Cord Hook Base		
34	AC53EV0ZV07	Upper Cord Storage Hook	1	
35	AMC76N-F70	Spring (Cord Hook)	1	
36	AMC58B-F70	Washer (Cord Storage Hook)	1	Shipped 10 per package
37	AXIN4+30BFY	Screw (Cord Storage Hook)	2	Shipped 10 per package
38	AC54EV0ZV07	Lower Cord Storage Hook	1	
39	AC34PV02V06	Hose P - - 7 S ( O O " 7	1	
40	AMC596-702	Wire Tie	1	Shipped 10 per package
41	AC39AYUZV00	Packing (Right)	1	
42	AC40AYUZV00	Packing (Left)	1	
43	AC60KCRMZBUZ	Dust Cover	1	
44	AC68KJMZV06	Protector Case	1	
45	AC69KJMZV06	Protector	1	
46	AC70KAHHZBQ0	Protector Spring (Blue)	1	
47	AC18MJMZV06	Protector Supporter (Motor)	1	
48	AC99WAJDZ00	Lead Assembly	1	
49	AC61LAGMZ00	Insulator Packing (Handle Screw)	1	
50	AC99WAJDZ00	Wire Lead Assy	1	

## 2.2. Nozzle Housing

### 2.2.1. Exploded View



## 2.2.2. Parts List (Nozzle Housing)

Ret. No.	Part No.	Part Name & Description	Quantity	Remarks
1	AC01ACRNZB0Z	Nozzle Housing <b>_J&gt;-"7 3</b>	<b>1</b>	
2	AC21HURZB0Z	Window	1	
3	AMC25S-V00	Shaft (Plastic)	1	
4	AC10AURZV07	Furniture Guard	<b>1</b>	
5	AMC81A-V00	Packing (Nozzie)	<b>1</b>	
6	AMC57A-V00	Spring (Peda!)	1	
7	AXTN4+16BFY	Screw (Pedal Spring)		Shipped 10 per package
<b>a</b>	AC28SJPZ00	Belt <b>f-fV\C, 3.7D C?V</b>	1	
9	AC91AAGW1V07	Lower Plate Assembly 9 - " 7 ( p £ > 3 . 4	1	
10	AC27AAGW1V07	Lower Plate	1	
11	AMC75A-V00	Packing (Lower Plate)	<b>1</b>	
12	AMC43S-V00	.selt Cover	1	
13	AC68AZAZOO	Screw (Lower Plate)	3	Shipped 10 per package
14	AMC78N-V00	Plastic Holder	1	
15	AC84 RBZDZ000	ftg itator Assembly ^ <b>CO 5 1 5</b>		