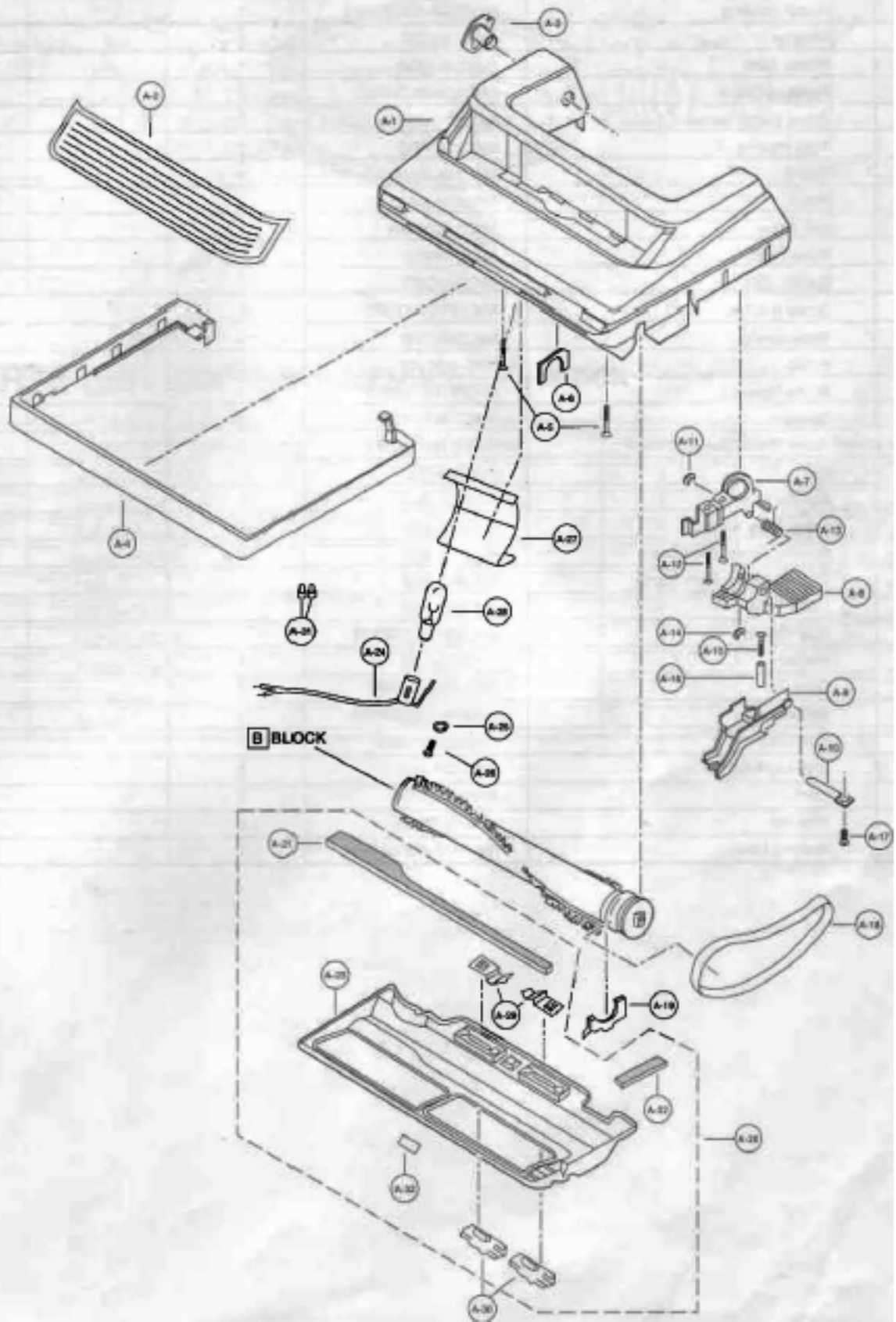


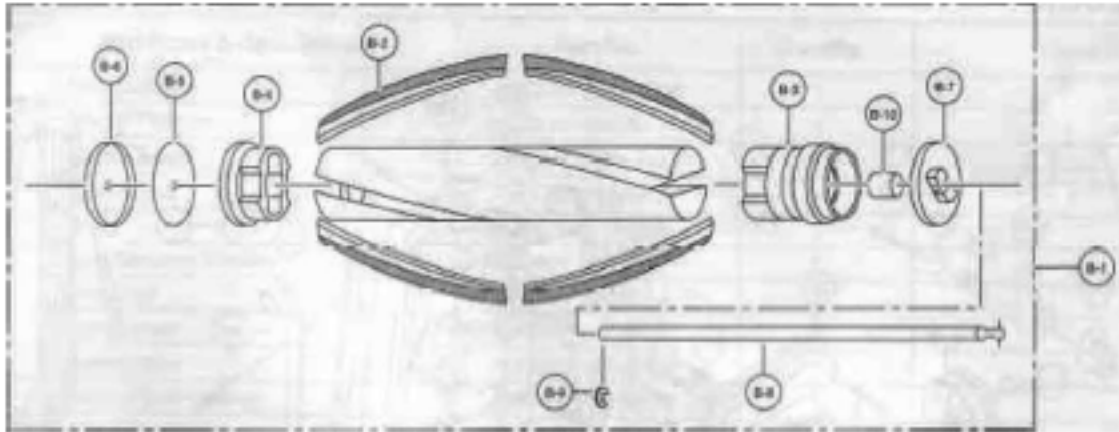
EXPLODED VIEW (NOZZLE HOUSING)... **A** BLOCK



■ PARTS LIST (NOZZLE HOUSING)... [A] BLOCK

Ref. No.	Part Name & Description	Part No.	Quantity	Remarks
A - 1	Nozzle Housing	AMC01A-ADG1GU04	1	
A - 2	Window	AMC21H-2X0	1	
A - 3	Plastic Shaft	AMC25B-V00		
A - 4	Furniture Guard	AWIC10A-2VZV006	1	
A - 5	Screw (Latch Hooks)	AMC68A V30		
A - 6	Tight Packing	AMC81A-V00	1	
A - 7	Frame	AMC43A-2V0	1	
A - 8	Pedal	AMC47A-2V0U	1	
A - 9	Belt Cover	AMC-11B-2V0W	1	
A - 10	Pedal Shaft	AMC51A-2V0	1	
A - 11	E Clip	AMC-XUC4FY	1	
A - 12	Screw (Frame)	AMC-XTN4+16BFY		
A - 13	Pedal Spring	AMC58A-2V0	1	
A - 14	E-Clip	AMC-XUC4FY	1	
A - 15	Screw (Spacer)	AMC-XTN4+28BFY	1	
A - 16	Spacer	AMC74B-Z100G	1	
A - 17	Screw (Pedal Shaft)	AMC-XTN4+16BFY	1	
A - 18	Belt	AMC28B-F7Z	1	
A - 19	Agitator Holder	AMC82A-2V0	1	
A - 20	Lower Plate Assembly	AMC91A-2V0	1	
A - 21	Packing (Lower Plate Rear)	AMC74A-2V0	1	
A - 22	Packing (Lower Plate Right)	AMC39A-2V0	1	
A - 23	Lower Plate	AMC27A-2V0	1	
A - 24	Bulb Socket	AMC93H-U8Z0000	1	
A - 25	Washer	AMC58B-F 70	1	
A - 26	Screw	AMC-XTN4+16BFY		
A - 27	Reflector	AMC84H-URZW000	1	
A - 28	Bulb Light	AMC28G-F100U		
A - 29	Stop Latch Spring	AMC70N-V30	2	
A - 30	Latch	AMC68N-V30K	2	
A - 31	Wire Nut	AMC-1CTCE23	2	
A - 32	Warning Label	AMC07Z-ADFZ0000	1	

EXPLODED VIEW (AGITATOR ASSEMBLY)... [B] BLOCK

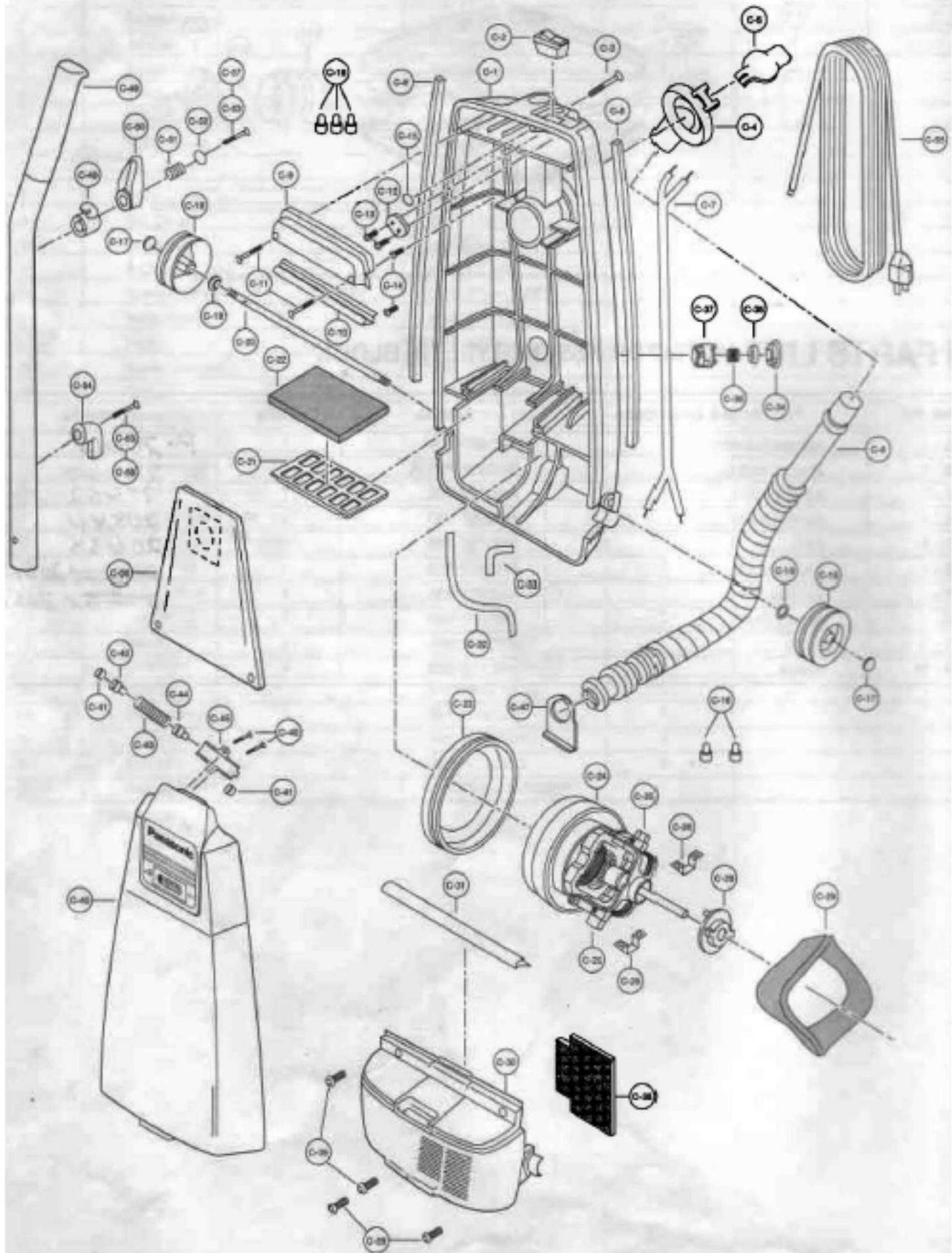


PARTS LIST (AGITATOR ASSEMBLY)... [B] BLOCK

Ref. No.	Part Name & Description	Part No.	Quantity	Remarks
B - 1	Agitator Assembly	AMC928-V10	1	P-J? CTOLS
B - 2	Brush (4 Pes)	AMC85R-V1004	1	
B - 3	Agitator Pulley	AMC78N-V10	1	
B - 4	Agitator Holder	AMC888-V00	1	Z/OZHQ .
B - 5	Filter	AMC30K-V00	1	
B - 6	End Cap (Left)	AMC96D-V00	1	
B - 7	End Cap (Right)	AMC97D-V00	1	
B - 8	Agitator Shaft	AMC57R-V00	1	
B - 9	E-Clip	AMC-XUC4FY	1	
B - 10	Spacer	AMC748-V00	1	

EXPLODED VIEW (MOTOR HOUSING, MOTOR, HANDLE, AND BODY)...

C BLOCK



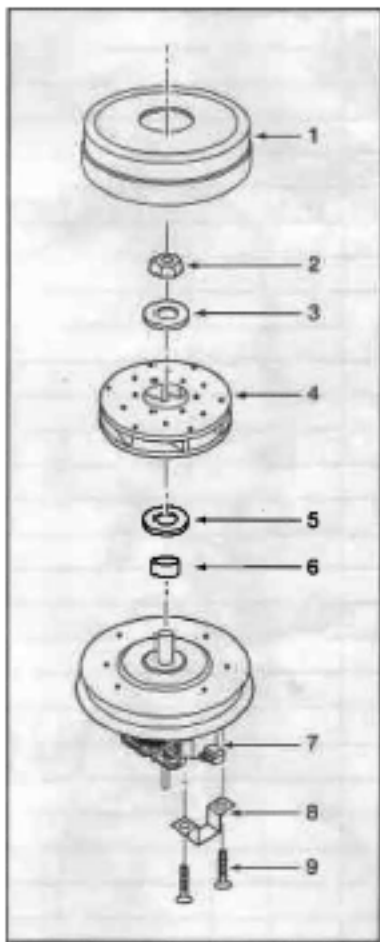
PARTS LIST (MOTOR HOUSING, MOTOR, HANDLE, AND BODY)... C BLOCK

Ref. No.	Part Name & Description	Part No.	Quantity	Remarks
C - 1	Dust Container	AMC40K-ADF9V006	1	
C - 2	ON/OFF Switch	AMC98E-V000U	1	
C - 3	Handle Screw	AMC736-V00	1	
C - 4	Suction Inlet	AMC60H-F74VU06	1	
C - 5	Cover	AMC02H-F73VU06	1	
C - 6	Dust Container Packing	AMC66K-V01V006	2	
C - 7	Wire Cord	AMC37G-V200U	1	
C - 8	Nozzle Hose	AMC34 P-V02V006	1	
C - 9	Switch Cover	AMC03 E-V04V006	1	
C - 10	Switch Cover Packing	AMC73K-V02V006	1	
C - 11	Screw (Switch Cover)	AMC-XTN4+16BFY	2	
C - 12	Cord Stopper	AMC62E-J20	1	
C - 13	Screw (Cord Stopper)	AMC-XTN4+16BFY	2	
C - 14	Screw (Suction Inlet)	AMC-XTN4+16BFY	2	
C - 15	Nut (Handle Screw)	AMP21B-170	1	
C - 16	Wire Nut	AMC-1CTCE23	5	
C - 17	Stopper, Wheel	AMC74B-USZ0000	2	
C - 18	Roller (Wheel) f- U I I ^	AMC01C-V00U	2	
C - 19	Washer	AMC-XWG6E115FY	2	
C - 20	Roller Shaft	AMC16C-USZ0000	1	
C - 21	Filter Supporter	AMC32K-V00	1	
C - 22	Secondary Filter	AMC37K-RFZ0000	1	
C - 23	Motor Supporter (Rubber Front)	AMC02F-E00	1	
C - 24	Fan Motor Unit	AMC92F-URZ0U00	1	
C - 25	Carbon Brush	AMC27F-U RZ0000	1 (set)	
C - 26	Brush Retainer Bracket	AMC02D-V300U		
C - 27	Screw (Brush) (Not Illustrated)	AMC04D-V300U		
C - 28	Motor Support (Rubber Rear)	AMC03F-V00	1	
C - 29	Noise Suppressor	AMC99G-L300X	1	
C - 30	Motor Case	AMC09F-JP5G004	1	
C - 31	Motor Case Packing	AMC19F-V02V006	1	
C - 32	Body Packing Left	AMC40A-YUZV000	1	
C - 33	Body Packing Right	AMC39A-YUZV000	1	
C - 34	Protector Supporter	AMC18M-JMZV006	1	
C - 35	Protector	AMC69K-JMZV006	1	
C - 36	Protector Spring	AMC70K-JMZ0000		
C - 37	Protector Case	AMC68K-JMZV006		
C - 38	Rear Cover Packing	AMC02L-V00	1	
C - 39	Screw (Motor Case)	AMC-XTN4+16BFY		
C - 40	Dust Cover (Decorated)	AMC60K-ADGZGU04	1	
C - 41	Indicator Packing	AMC09M-L30		
C - 42	Indicator Cap	AMC17M-V20	1	
C - 43	Indicator Spring	AMC04M-RFZ0000	1	
C - 44	Indicator Lead	AMC03M-680R0	1	
C - 45	Indicator Body	AMC15M-V20	1	
C - 46	Screw (Indicator)	AMC-XTN4+10BFY		
C - 47	Hose Supporter	AMC24P-2V0	1	
C - 48	Handle	AMC64B-V20L	1	
C - 49	Cord Storage Base	AMC55E-V02V006	1	
C - 50	Upper Cord Storage Hook	AMC53E-V02V006	1	

PARTS LIST (MOTOR HOUSING, MOTOR, HANDLE, AND BODY)... [C] BLOCK

Ref. No.	Part Name & Description	Part No.	Quantity	Remarks
C - 51	Cord Hook Spring	AMC76N-F70	1	
C - 52	Washer	AMC58B-F70	1	
C - 53	Screw (Cord Storage Hook)	AMC-XTN4+30BFY	2	
C - 54	Lower Cord Storage Hook	AMC54 E-V0ZV006	1	
C - 55	Power Cord	AMC97E-ADGZV006	1	
C - 56	Dust Bag (Paper)	AMC93K-AV0	1	
C - 57	Upper Cord Hook (Repair Screw)	AMC651-638	1	
C - 58	Lower Cord Hook (Repair Screw)	AMC414-8999	1	

EXPLODED VIEW



• PARTS LIST (MC-V5207)

Ref. No.	Part Name	Part No.	Quantity	Model MC-V5207
1	Fan Case	AMC53F-AV00U	1	●
2	Nut	AMC33F-AC00U	1	●
3	Washer (a)	AMC62F-AV00U	1	●
4	Fan	AMC98F-URZ0000	1	●
5	Washer (b)	AMC62F-RFZ0000	1	•
6	Spacer	AMC60F-RFZ0000	1	•
7	Brush Assembly	AMC27F-URZ0000	1 (Set)	●
8	Bracket	AMC02D-V300U	2	●
9	Screws	AMC40D-V300U	2	●