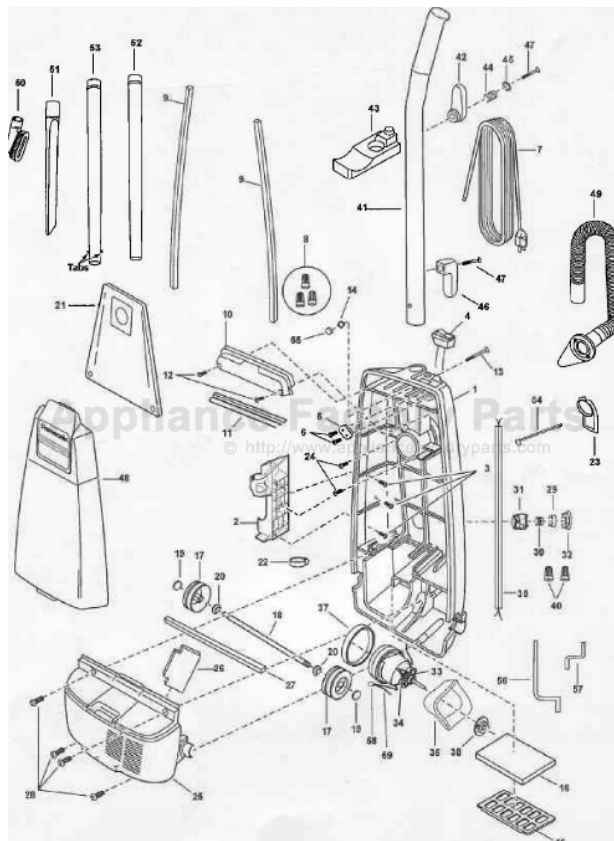


This Owner's Manual is provided and hosted by [Appliance Factory Parts](http://ApplianceFactoryParts.com).



PANASONIC MC-V5209-00 Owner's Manual

[Shop genuine replacement parts for PANASONIC
MC-V5209-00](#)



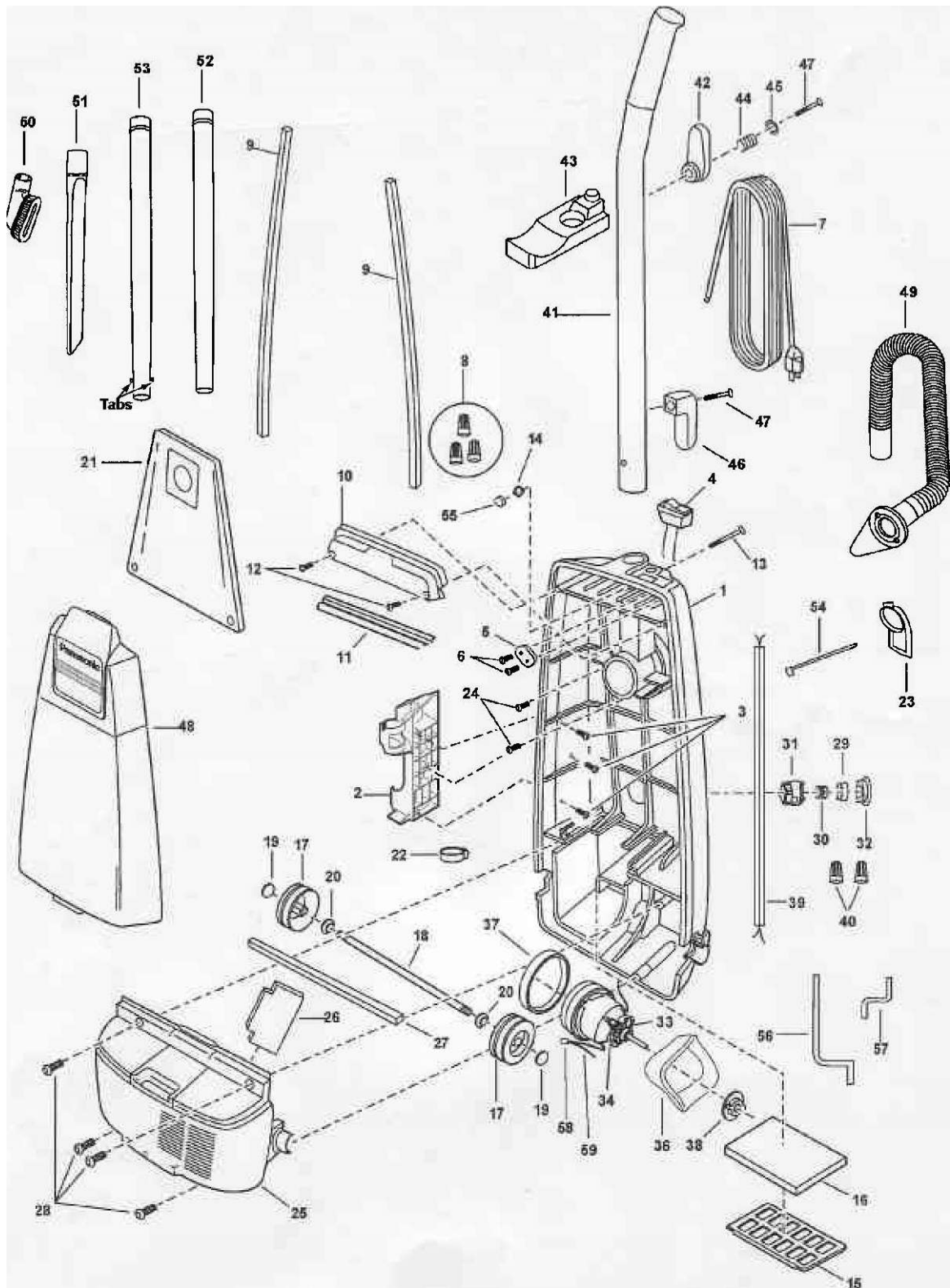
[Find Your PANASONIC Vacuum Cleaner Parts - Select From 605 Models](#)

----- Manual continues below -----

2 EXPLODED VIEW AND PARTS LIST

2.1. Body

2.1.1. Exploded View

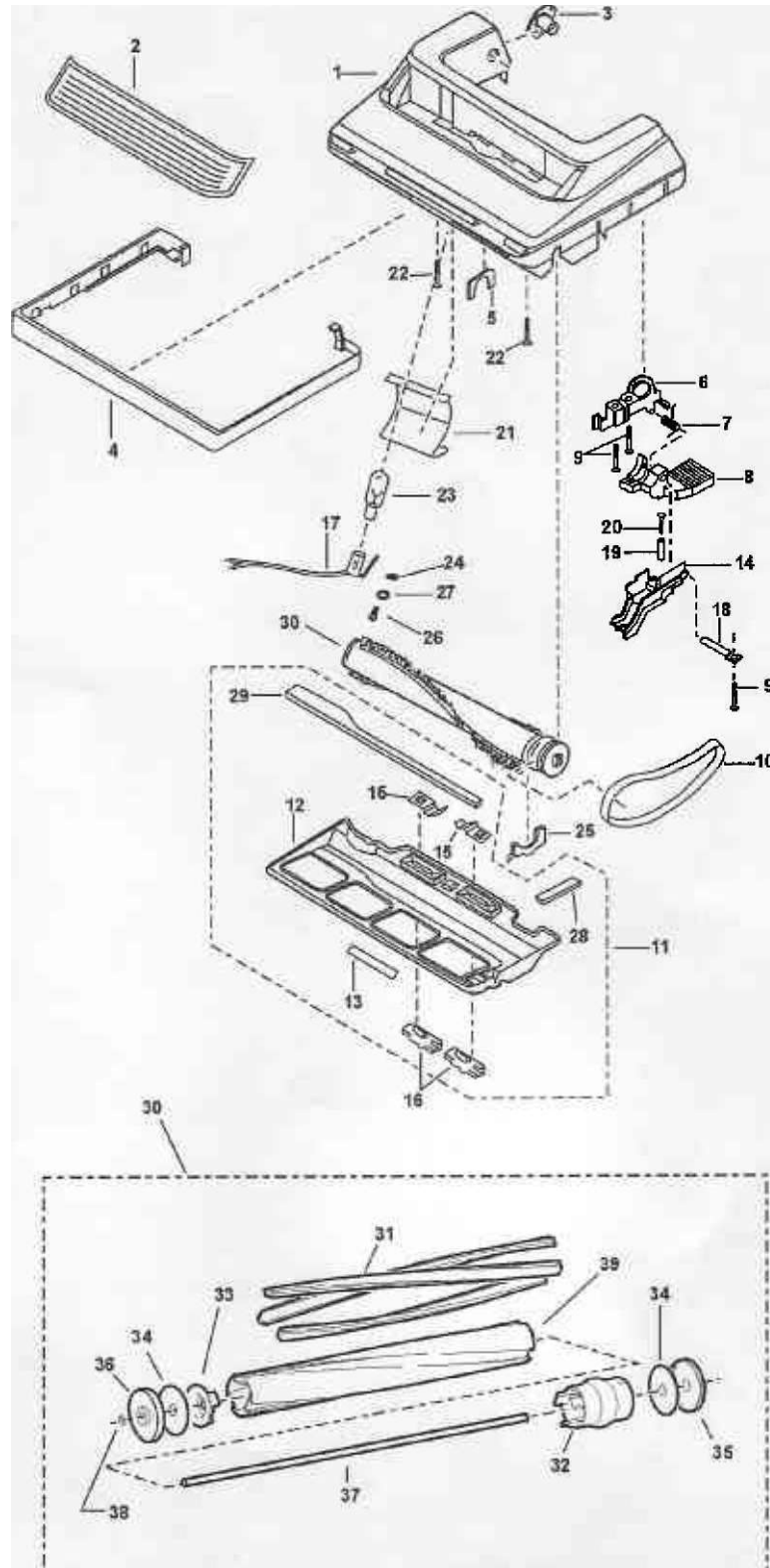


2.1.2. Parts List (Body)

Ket. No.	Part No.	Part Name & Description	Quantity	Remarks
1	AC78KBJYZV07	Dust Compartment Unit p -	1	
2	AC70PJPZV07	Wand Holder	1	
3	AXI N4+16BFY	Screw (Wand Holder)	3	Shipped 10 per package
4	AMC98E-V010U	On-Off Switch	1	
5	AMC62E-J20	Cord Stopper	1	
6	AX1N4+1btif-y	Screw (Cord Stopper)	2	Shipped 1U per package
7	ACS7EADGZV06	Power Cord	1	
8	AMC-1CTCE23	Wire Connector	3	
9	AC66KV01V06	Packing (Dust Container)	2	
10	AC03EV07V06	Switch Cover	1	
11	AC73KV0ZV06	Packing (Switch Cover)	1	
12	AXTN4+16BFY	Screw (Switch Cover)	2	Shipped 10 per package
13	AMC73B-V00	Handle Screw	1	
14	AMP21B-170	Nut (Handle Screw)	1	
15	AMC32K-V00	Filter Supporter	1	
16	AC37KAAEZ00	Secondary Filter (Electrostatic)y_J^^^J	1	
17	AMC01C-V0QU	Wheel	2	
18	AC16CUSZ00	Shaft (Wheel)	1	
19	AC74SUSZ00	Stopper (Wheel)	2	
20	AXVVG6E115FY	Washer	2	
21	AG1BKJYZ00	Dust Bag (Type U6) V^WVI UAN^1^	1	
22	AC53RJPZV06	Hose Ring	1	
23	AC02HYUZV06	Cover (Suction Inlet)	1	
24	AXIN4+16BS-Y	Screw (Suction Inlet)	2	Shipped 10 per package
25	AC09FBJYZB0Z	Motor Case	1	
26	AC02LBJYZ00	Packing (Rear Cover)	1	
27	AC19FJPZV06	Packing (Motor Case)	1	
28	AXTN4+20BFY	Screw (Motor Case)	4	
29	AC69KJMZV06	Protector (Motor)	1	
30	AC70KAHHZB00	Protector Spring (Blue)	1	
31	AC68KJMZV06	Protector Case (Motor)	1	
32	AC18MJMZV06	Protector Supporter (Motor)	1	
33	AC92FBJXZ00	Fan Motor Unit p . (^Q g	1	
34	AC69RAKEZ00	Carbon Brush	1 (Set)	
35	AC68AAKEZ00	Screw, Brush (Not Illustrated)	2	
36	AC99GAMMZ00	Noise Suppressor	1	
37	AMC02F-E00	Motor Support (Front)	1	
38	AMC03F-V00	Motor Support Rubber (Rear)	1	
39	AMC37G-V200U	Wire Cord	1	
40	AMC-1CTCE23	Wire Connector	2	
41	AMC64B-V2Z00	Handle	1	
42	AC53EV0ZV07	Upper Cord Storage Hook	1	
43	AC23PJP1V07	Hose Holder	1	
44	AMC76N-F70	Spring (Cord Hook)	1	
45	AMC58B-F70	Washer (Cord Storage Hook)	1	
46	AC54EV0ZV07	Lower Cord Storage Hook	1	
47	AXTN4+30BFY	Screw (Cord Storage Hook)	2	
48	AC60KCRMZBUZ	Dust Cover	1	
49	AC84PJPZV06	Hose V>--J?>V0V]	1	
50	AC88RYUZV06	Dusting Brush	1	
51	AC60RZFZVU6	Crevice Tool	1	
52	AC40PZG1V06	Wand (Extension)	1	
53	AC40PJPZV06	Wand (With Tabs)	1	
54	AMC596-702	Wire Tie	1	
55	AC61LAGMZ00	Packing (Insulator)	1	
56	AC39AYUZVOO	Packing (Right)	1	
57	AC40AYUZV00	Packing (Left)	1	
58	AC99WAJDZ00	Lead Assembly	1	
59	AC36GARTZ00	Lead Wire (Motor)	1	

2.2. Nozzle Housing

2.2.1. Exploded View



2.2.2, Parts List (Nozzle Housing)

Ref. No	Part No,	Part Name & Description	Quantity	Remarks
1	AC01ACRMZBU2	Nozzle Housing	1	
2	AMC21H-2X0	Window		
3	AMC25S-V00	Shaft (Plastic)	t	
4	AC10A2VZV07	Furniture Guard	1	
5	AMC81A-V00	Packing (Nozzle)		
6	AMC43A-2V0	Frame	1	
7	AMC58A-2V0	Spring (Pedal)	1	
8	AMC47A-2V0U	Pedal		
9	AXTN4+16BFY	Screw (Frame)	3	Shipped 10 per package
10	AC28SJPZQ0	Belt V - 1 W , 3 r - 0 f W	1	
11	AC91AADGZOO	Lower Plate Assembly ^ - "7£#O1"l	1	
12	AC27AADGZ00	Lower Plate	1	Includes 13 Label
13	AC07ZADZF00	Warning Label	1	
14	AMC11S-2V0W	Belt Cover (Rear)	1	
15	AC70NYUZ00	Stop Latch Spring	2	
16	AMC68N-V30K	Latch	2	
17	AC93HURZ00	Bulb Socket	1	
18	AWIC51A-2V0	Pedal Shaft	1	
13	AMC74S-Z100G	Spacer	f	
20	AXIN4+28BI-Y	Screw (Spacer)	1	Shipped 10 per package
21	AC84HURZW00	Reflector	1	
22	AMC68A-V30	Screw (Nozzle)	2	
23	AC28GADFZ00	Bulb	1	
24	AMC-XWA5BFY	Spring (Washer)	1	
25	AMC82A-2V0	Agitator Holder	1	
26	AXTN4+10BFY	Screw (Bulb Socket)	1	Shipped 10 per package
27	AMC58B-F70	Washer	1	
28	AMC39A-2V0	Packing (Lower Plate Right)		
29	AMC74A-2V0	Packing (Lower Plate Back)	1	
30	AC92SBYYZ000	Agitator Assembly	1	
31	AC85RBYYZ000	Brush (3 Pes.)	1(Se1)	
32	AC29SBYY2000	Agitator Pulley	i	
33	AC41SBVNZOOO	Agitator Holder	1	
34	AC44KBVN2000	Filter	2	
35	AC97DBVNZOOO	Brush Support (Right) \$	1	
36	AC96DBVNZOOO	Brush Support (Left) y -	1	
37	AC57RBYYZOOO	Agitator Shaft	T	
38	AC23FBVNZOOO	Ring-Clip	T	
39	AC56RBVNZQ00	Agitator	T	