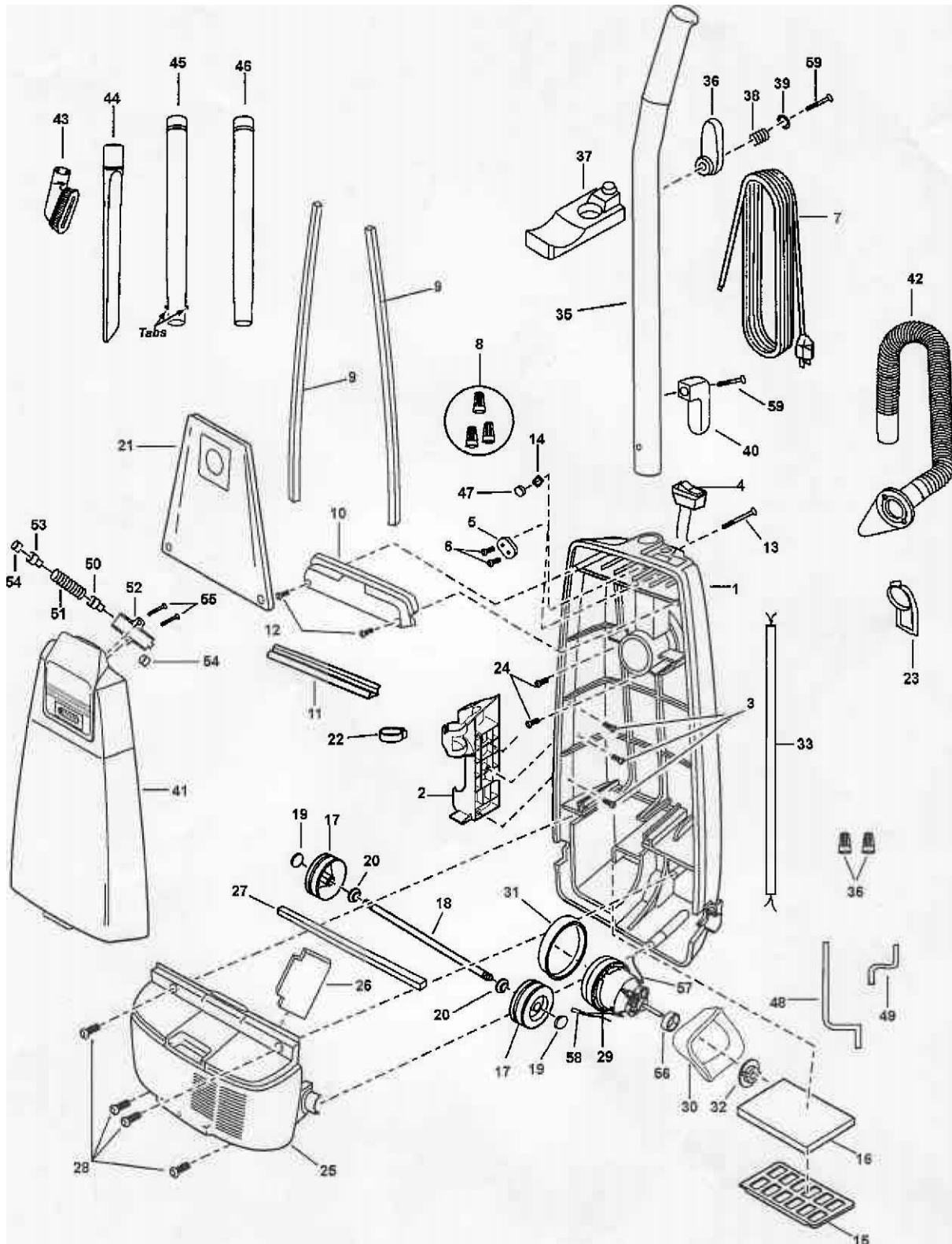


2 EXPLODED VIEW AND PARTS LIST

2.1. Body

2.1.1. Exploded View

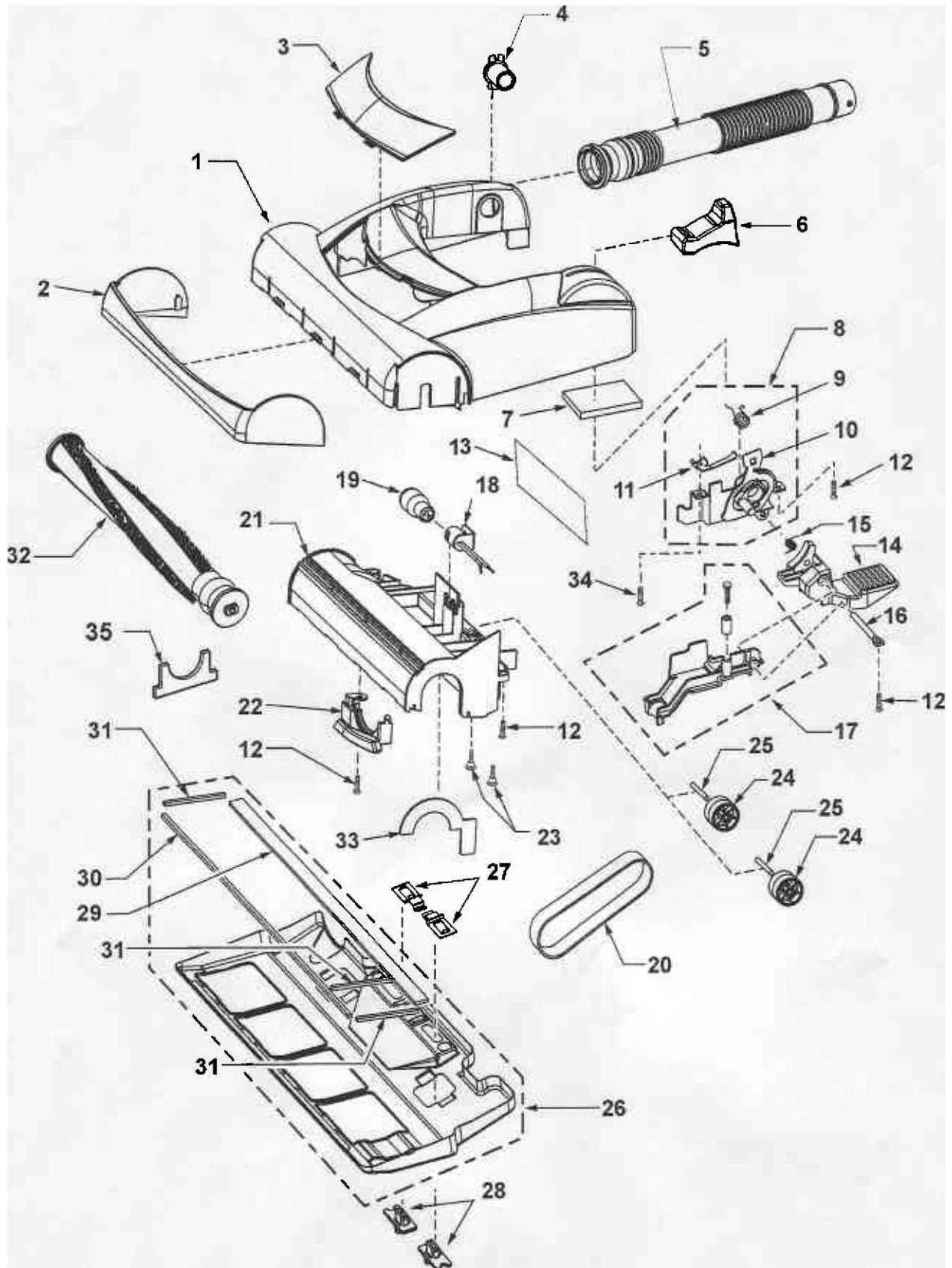


2.1.2. Parts List (Body)

Ret. No.	Part No.	Part Name & Description	Quantity	Remarks
1	AC78KBFTZV07	Dust Compartment ^ - 5 JI fe	1	Includes 48 and 49 Packing
2	AC70PJPZV07	Wand Hoider	1	
3	AXTN4+16BFY	Screw (Wand Holder)		Shipped 10 per package
4	AMC98E-V010U	Qn-Off Switch	1	
5	AMC62E-J20	Cord Stopper	1	
6	AXTN4+16BFY	Screw (Cord Stopper)		Shipped 10 per package
7	AC97EBZXZV06	Power Cord	1	
a	AMC-1CTCE23	Wire Connector		
9	AC66KV01V06	Packing (Dust Container)		
10	AC03EV07V06	Switch Cover	1	
11	AC73KV0ZV06	Packing (Switch Cover}	1	
1?	AXTN4+16BFY	Screw (Switch Cover)		Shipped 10 per package
13	AMC73B-VOO	Handle Screw	1	
14	AMP21B-170	Nut (Handle Screw)	1	
15	AMC32K-VOO	Filter Supporter	1	
16	AC37KAAEZ00	Secondary Filter (HEPA) ^ - I ^ j Q ^ J O	1	
17	AC99C BSAZV06	Wheel		
18	AC16CUSZOO	Shaft (Wheel)	1	
19	AC74SUSZOO	Stopper (Wheel)		
20	AXWG6E115FY	Washer		
21	AC16KCRZR000	Dust Bag (Type U6) p -)t\	1	
22	AC53RJ PZV07	Hose Hook	1	
23	AC02HYUZV06	Cover (Suction Inlet)	1	
24	AXTN4+16BFY	Screw (Suction Inlet)		Shipped 10 per package
23	AC09FBFTZB0Z	Motor Case	1	
26	AMC02L-V00	Packing (Rear Cover)	1	
27	AC19FARSZV06	Packing (Motor Case)	1	
28	AXTN4+20BFY	Screw (Motor Case)		Shipped 10 per package
29	AC92FBFTZ00	I an Motor Unit	1	
30	iAC99GAMMZ00	Noise Suppressor	1	
31	AMCQ2F-EOO	Motor Support (Front)	1	
32	AC03FAFYZ00	Motor Support Rubber (Rear)	1	
33	AMC37G-V200U	Wire Cord	1	
34	AMC-1CTCE23	Wire Connector		
' 35	AMC64B-V2Z00	Handle	1	
36	AC53EVCZV07	Upper Cord Storage Hook	1	
37	AC23PJP1V07	Hose Holder	1	
38	AMC76N-F70	Spring (Cord Hook)	1	
39	AMC58B-F70	Washer (Cord Storage Hook)	1	
40	AC54EVOZV07	Lower Cord Storage Hook	1	
41	AC60KCRJZBUZ	Dust Cover	t	
42	AC84PJPZV06	Hose	1	
43	AC88RYUZV06	Dusting Brush	1	
44	AC60RZFZVU6	Crevice Tool	1	
45	AC40PJPZV06	Wand (With Tabs)	1	
46	AC40PZG1V06	Wand (Extension)	1	
47	AC61LAGMZ00	Packing (Insulator)	1	
48	AC39AARSZV00	Packing (Right)	1	
49	AC40AARSZV00	Packing (Left)	1	
50	AMCO3M-68ZR0	Lead (Indicator)		
51	AC04MRFZ00	Spring (Indicator)	1	
52	AC15MVZOO	Body (Indicator)	1	
53	AMC17M-V20	Cap (Indicator)	1	
54	AMC09M-L30	Packing (Indicator)		
55	AXTN4+10BFY	Screw (indicator)		Shipped 10 per package
56	AC53MAKEZOO	Ring Spacer	1	
57	AC38GARTZ00	Lead Wire (Motor)	1	
58	AC98WAUDZ00	Thermal Protector Unit	1	
59	AXTN4+30BFY	Screw	2	

2.2. Nozzle Housing

2.2.1. Exploded View

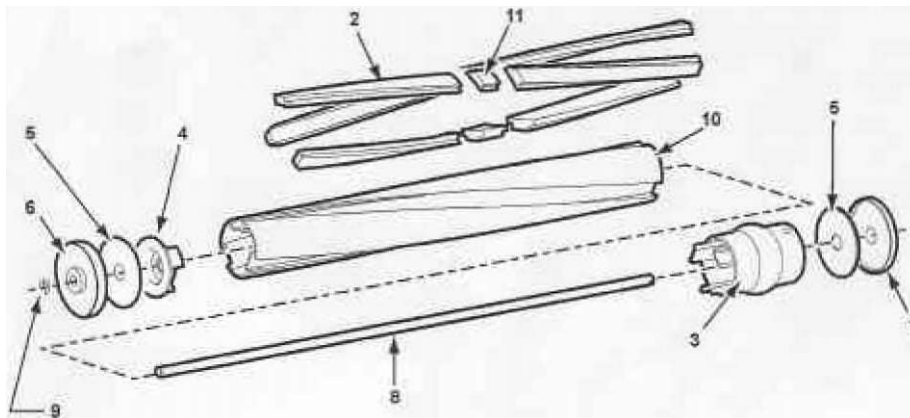


2.2.2. Parts List (Nozzle Housing)

Ret. no	Part No.	Part Name & Description	Quantity	Remarks
1	AC01ACRSZ8UZ	Nozzle Housing (j f c)	1	
2	AC10ACRSZV07	Furniture Guard	1	
3	AC21HCRSZ000	Window	1	
4	AMCZ5S-V00	Plastic Shaft	1	
5	AC34PAJDZV06	Nozzle Hose	1	1
6	AC42AAFYZV06	Pedal	1	
7	AC04RAFWZ00	Nozzle Packing	1	
8	AC92BAMAZ000	Handle Release Assembly	1	Includes items 9, 10 and 11
9	AC81HAGZZ00	Spring	1	
10	AC43AAFYZ00	Bracket Assembly	1	
1t	AC57AAFZQ0	Spring (Foot Gear Pedal)	1	
12	AXTN4+16BFY	Screw		Shipped 10 per package
13	AC84HBZT00Q7	Reflector	1	
14	AC47A2VZV07	Pedal	1	
15	AC58AAFVZ00	Spring (Pedal)	1	
16	AMC51A-2V0	Shaft (Pedal)	1	
17	AC11S2VZWD0	Belt Cover Assembly	1	
18	AC93HURZ00	Bulb Socket	1	
19	AC28GADFZ00	Bulb	t	
20	AC28SJPZ00	Beit p - 1 7 0	T~	
21	AC02ACRSZWOH	Body (Upper)		
22	AC12ACRSZW0H	Cap (Body)	1	
23	AMC68A-V30	Screws	2	Shipped 10 per package
24	AC93QAGZZV06	Wheel	2	
25	AC16CNXZ00	Shaft (Wheel)	2	
26	AC91ACRSZ000	Lower Plate Assembly	1	Includes items 29, 30 and 31
27	AMC68N-V30K	Latch (Lower Plate)	2	
28	AC70NYUZ00	Spring (Stop Latch)	2	
29	AC74ACRSZ000	Packing (Lower Plate)	1	
30	AC74ACRRZ000	Packing (Lower Plate)	1	
31	AMC39A-2V0	Packing (Lower Plate)	3	
32	AC92SBVNZ000	Agitator Assembly	1	
33	AC11ACRSZ0QD	Felt (Upper)		
34	AXTN4+10BFY	Screw	1	Shipped 10 per package
35	AMC82A-2V0	Agitator Holder Assembly	1	

2.3. Agitator Assembly

2.3.1. Exploded View



2.3.2. Parts List (Agitator Assembly)

Fief. No.	Part No.	Part Name & Description	Quantity	Remarks
1	AC92SBVNZ000	Agitator Assembly	1	Includes items 2 thru 11
2	AC85RBFT0000	Brush (6 Pes.)		
3	AC29SBVNZ000	Agitator Pulley	1	
4	AC41SBVNZ000	Agitator Holder	1	
5	AC44KBVNZ000	Filter		
6	AC96DBVNZ000	End Cap (Right)	1	
7	AC97DBVNZ000	End Cap (Left)	1	
8	AC57RBVNZ000	Agitator Shaft	1	
9	AC23FBVNZ000	Ring Clip		
10	AC56RBYYZ000	Brush Holder	1	
11	AC34SBYYZ000	Spacer(Brushes)	3	