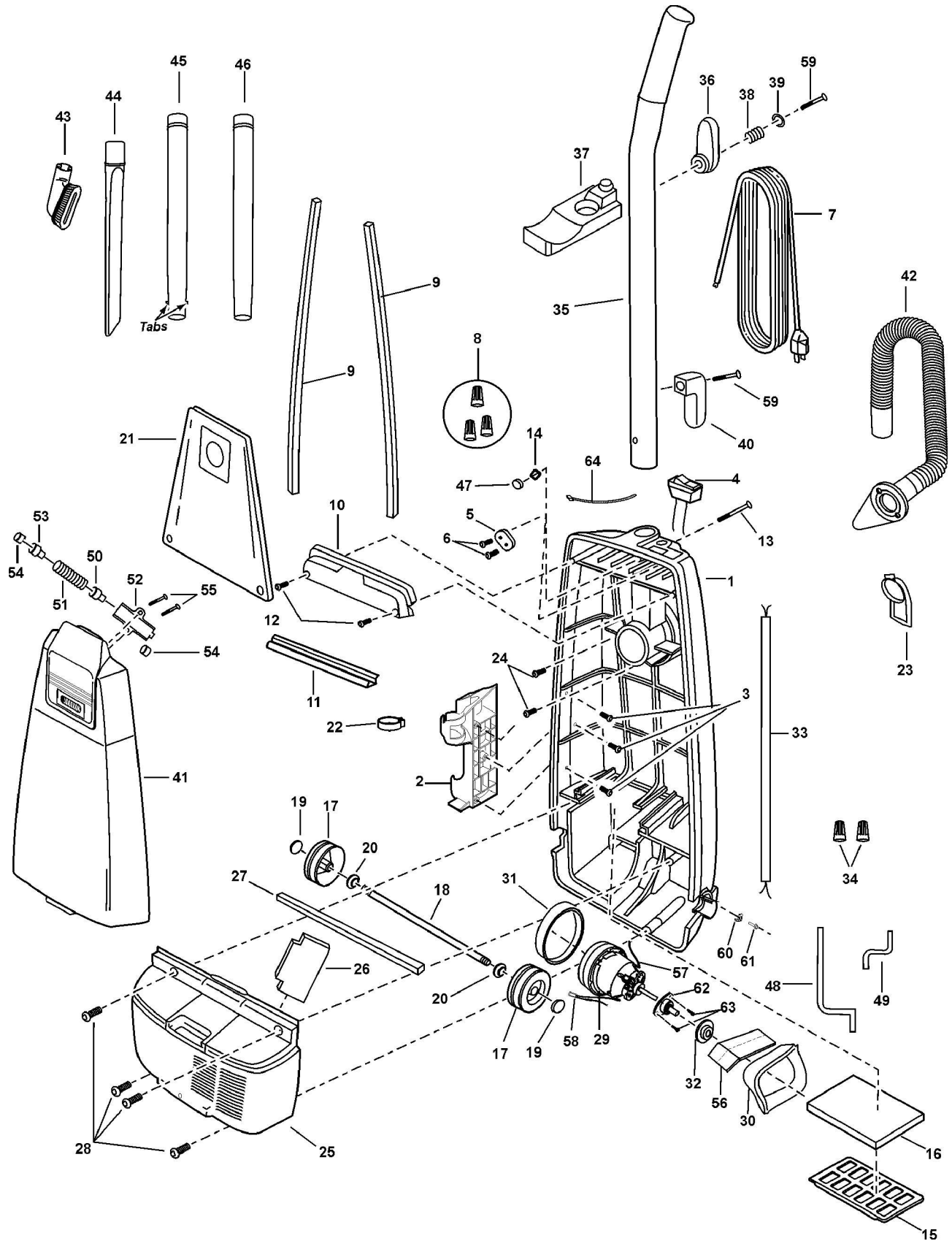


2 EXPLODED VIEW AND PARTS LIST

2.1. Body

2.1.1. Exploded View

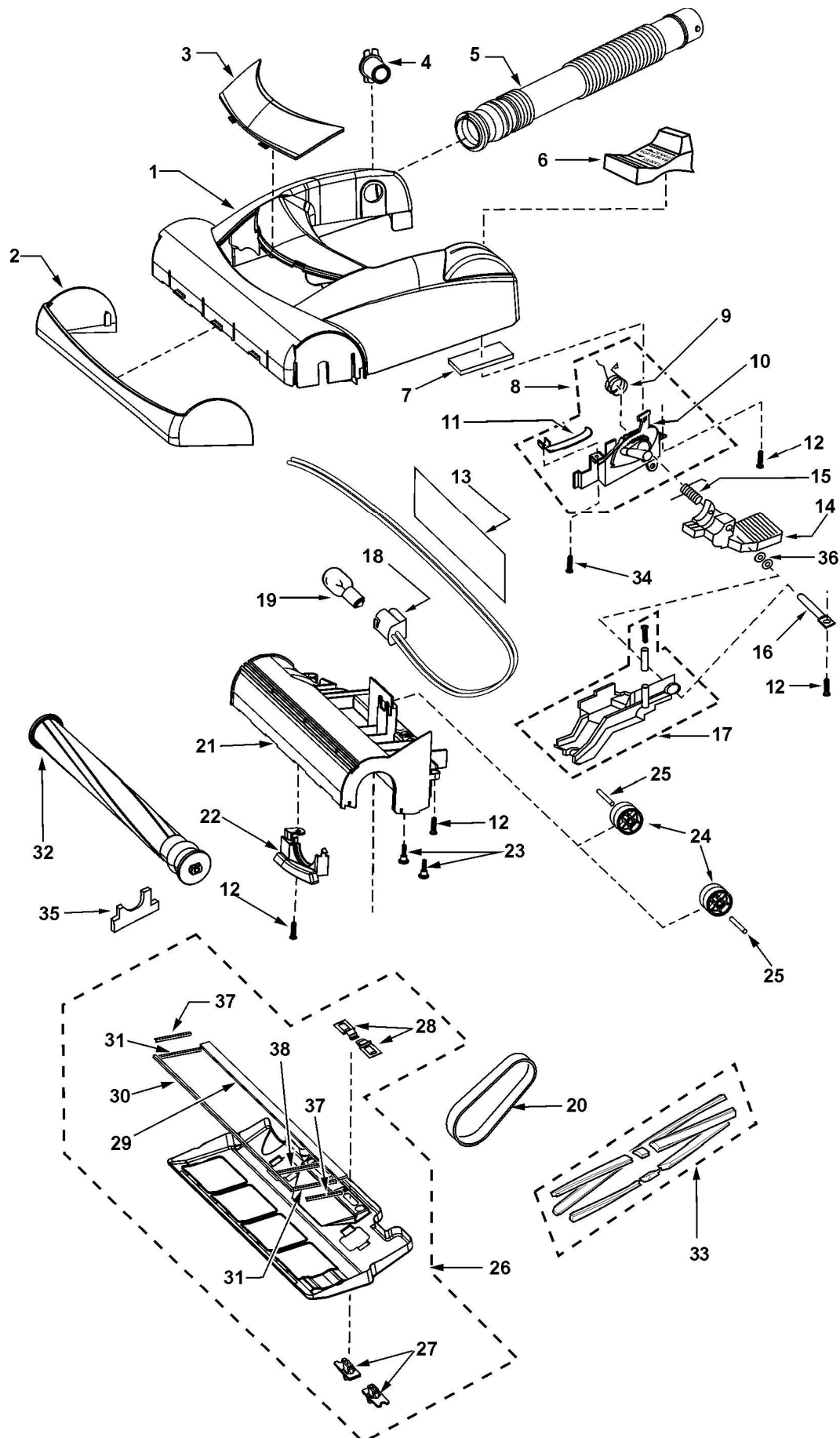


2.1.2. Parts List (Body)

Ref. No.	Part No.	Part Name & Description	Quantity	Remarks
1	AC78KDABZV07	Dust Compartment	1	Includes 48 and 49 Packing
2	AC70PJPZV07	Wand Holder	1	Includes 3
3	AXTN4+16BFY	Screw (Wand Holder)		Shipped 10 per package
4	AMC98E-V010U	On-Off Switch	1	
5	AMC62E-J20	Cord Stopper	1	
6	AXTN4+16BFY	Screw (Cord Stopper)		Shipped 10 per package
7	AC97EBZXZV06	Power Cord	1	
8	AMC-1CTCE23	Wire Connector		
9	AC66KV01V06	Packing (Dust Container)		
10	AC03EVO7V06	Switch Cover	1	
11	AC73KV0ZV06	Packing (Switch Cover)	1	
12	AXTN4+16BFY	Screw (Switch Cover)		Shipped 10 per package
13	AMC73B-V00	Handle Screw	1	
14	AMP21B-170	Nut (Handle Screw)	1	Shipped 10 per package
15	AMC32K-V00	Filter Supporter	1	
16	AC37KAAEZ00	Secondary Filter (HEPA)	1	
17	AC99CBSAZV06	Wheel		
18	AC16CUSZ00	Shaft (Wheel)	1	Includes 19
19	AC74SUSZ00	Stopper (Wheel)		Shipped 10 per package
20	AXWG6E115FY	Washer		Shipped 10 per package
21	AC16KCRSZ000	Dust Bag (Type U6)	1	
22	AC53RJPZV07	Hose Hook	1	
23	AC02HYUZV06	Cover (Suction Inlet)	1	
24	AXTN4+16BFY	Screw (Suction Inlet)		Shipped 10 per package
25	AC09FBFTZM0F	Motor Case	1	
26	AMC02L-V00	Packing (Rear Cover)	1	
27	AC19FARSZV06	Packing (Motor Case)	1	
28	AXTN4+20BFY	Screw (Motor Case)		Shipped 10 per package
29	AC92FBFTZ00	Fan Motor Unit	1	Includes 57, 58
30	AC99GAMMZ00	Noise Suppressor	1	
31	AMC02F-E00	Motor Support (Front)	1	
32	AC03FAFYZ00	Motor Support Rubber (Rear)	1	
33	AMC37G-V200U	Wire Cord	1	
34	AMC-1CTCE23	Wire Connector		
35	AC64BCZZZV07	Handle	1	
36	AC53EV0ZV07	Upper Cord Storage Hook	1	
37	AC23PJP1V07	Hose Holder	1	
38	AMC76N-F70	Spring (Cord Hook)	1	
39	AMC58B-F70	Washer (Cord Storage Hook)	1	Shipped 10 per package
40	AC54EVOZV07	Lower Cord Storage Hook	1	
41	AC60KCRJZMUF	Dust Cover	1	
42	AC84PJPZV06	Hose	1	
43	AC88RYUZV06	Dusting Brush	1	
44	AC60RZFZVU6	Crevice Tool	1	
45	AC40PJPZV06	Wand (With Tabs)	1	
46	AC40PZG1V06	Wand (Extension)	1	
47	AC61LAGMZ00	Packing (Insulator)	1	
48	AC39AARSZV00	Packing (Right)	1	
49	AC40AARSZV00	Packing (Left)	1	
50	AMC03M-68ZR0	Lead (Indicator)	1	
51	AC04MRFZ00	Spring (Indicator)	1	
52	AC15MVZ00	Body (Indicator)	1	
53	AMC17M-V20	Cap (Indicator)	1	
54	AMC09M-L30	Packing (Indicator)		
55	AXTN4+10BFY	Screw (Indicator)		Shipped 10 per package
56	AC41FATCZ00	Cooling Guide	1	
57	AC38GARTZ00	Lead Wire (Motor)	1	
58	AC98WAUDZ00	Thermal Protector Unit	1	
59	AXTN4+30BFY	Screw		Shipped 10 per package
60	AC83DDAAZU00	Locking Cam	1	
61	AXTS3+12KFYY	Screw	1	
62	AC25SAFYZ00	Motor Flange	1	
63	AXTN4+10FFY	Screw (Motor Flange)	2	Shipped 10 per package
64	AMC596-702	Tie Cable	1	Shipped 10 per package

2.2. Nozzle Housing

2.2.1. Exploded View



2.2.2. Parts List (Nozzle Housing)

Ref. No	Part No.	Part Name & Description	Quantity	Remarks
1	AC01ACRSZMUF	Nozzle Housing	1	Includes item 7
2	AC10ACRSZV07	Furniture Guard	1	
3	AC21HCRSZ000	Window	1	
4	AMC25S-V00	Plastic Shaft	1	
5	AC34PAJDZV06	Nozzle Hose	1	
6	AC42AAFYZV06	Pedal	1	
7	AC04RANPZV06	Nozzle Packing	1	
8	AC92BAMAZ000	Handle Release Assembly	1	Includes items 9, 10 and 11
9	AC81HAGZZ00	Spring	1	
10	AC43AAFYZ00	Bracket Assembly	1	
11	AC57AAFVZ00	Spring (Foot Gear Pedal)	1	
12	AXTN4+16BFY	Screw		Shipped 10 per package
13	AC84HBZTZ000	Reflector	1	
14	AC47ADAAZM0E	Pedal	1	
15	AC58AAFVZ00	Spring (Pedal)	1	
16	AMC51A-V3 0	Shaft (Pedal)	1	
17	AC11S2VZV00	Belt Cover Assembly	1	
18	AC93HURZ00	Bulb Socket	1	
19	AC28GADFZ00	Bulb	1	
20	AC28SJPZ00	Belt	1	
21	AC02ACRS1W0H	Body (Upper)	1	
22	AC12ACRSZV0H	Cap (Body)	1	
23	AMC6 8A-V3 0	Screws	2	Shipped 10 per package
24	AC93QAGZZV06	Wheel	2	
25	AC16CNXZ00	Shaft (Wheel)	2	
26	AC91ACRS1000	Lower Plate Assembly	1	Includes items 27, 28, 29, 30, 31, 37 and 38
27	AMC6 8N-V3 0K	Latch (Lower Plate)	2	
28	AC70NYUZ00	Spring (Stop Latch)	2	
29	AC74ACRSZ000	Packing (Lower Plate)	1	
30	AC74ACRRZ000	Packing (Lower Plate)	1	
31	AMC3 9A-2V0	Packing (Lower Plate)	2	
32	AC92SBVNZ000	Agitator Assembly	1	
33	AC85RBFT1000	Brush Unit	1	
34	AXTN4+10BFY	Screw	1	Shipped 10 per package
35	AC82ACRRZV07	Agitator Holder Assembly	1	
36	AC62FAVGZ00	Washer	2	Shipped 10 per package
37	AC75ACRSZ000	Packing (Lower Plate)	2	
38	AC75AAWRZV00	Packing (Lower Plate)	1	