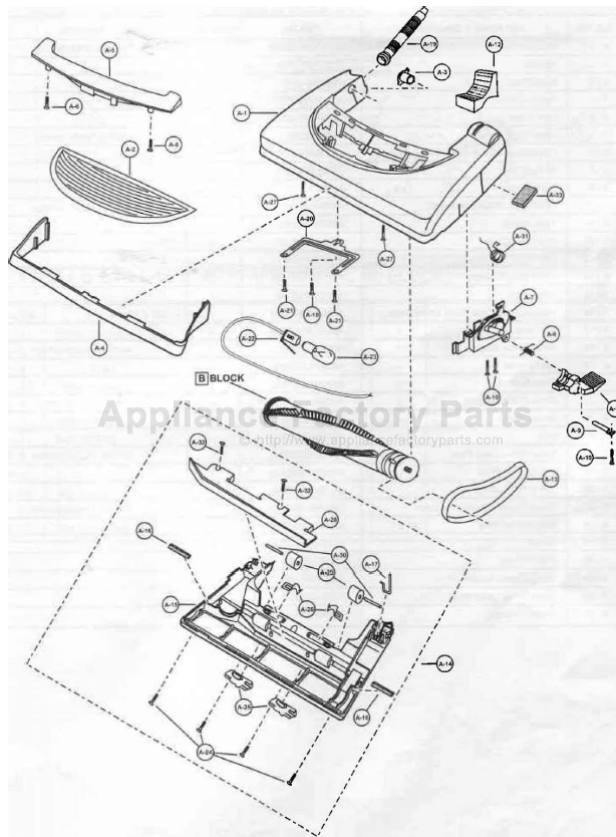


This Owner's Manual is provided and hosted by [Appliance Factory Parts](http://ApplianceFactoryParts.com).



# PANASONIC MC-V5278-00 Owner's Manual

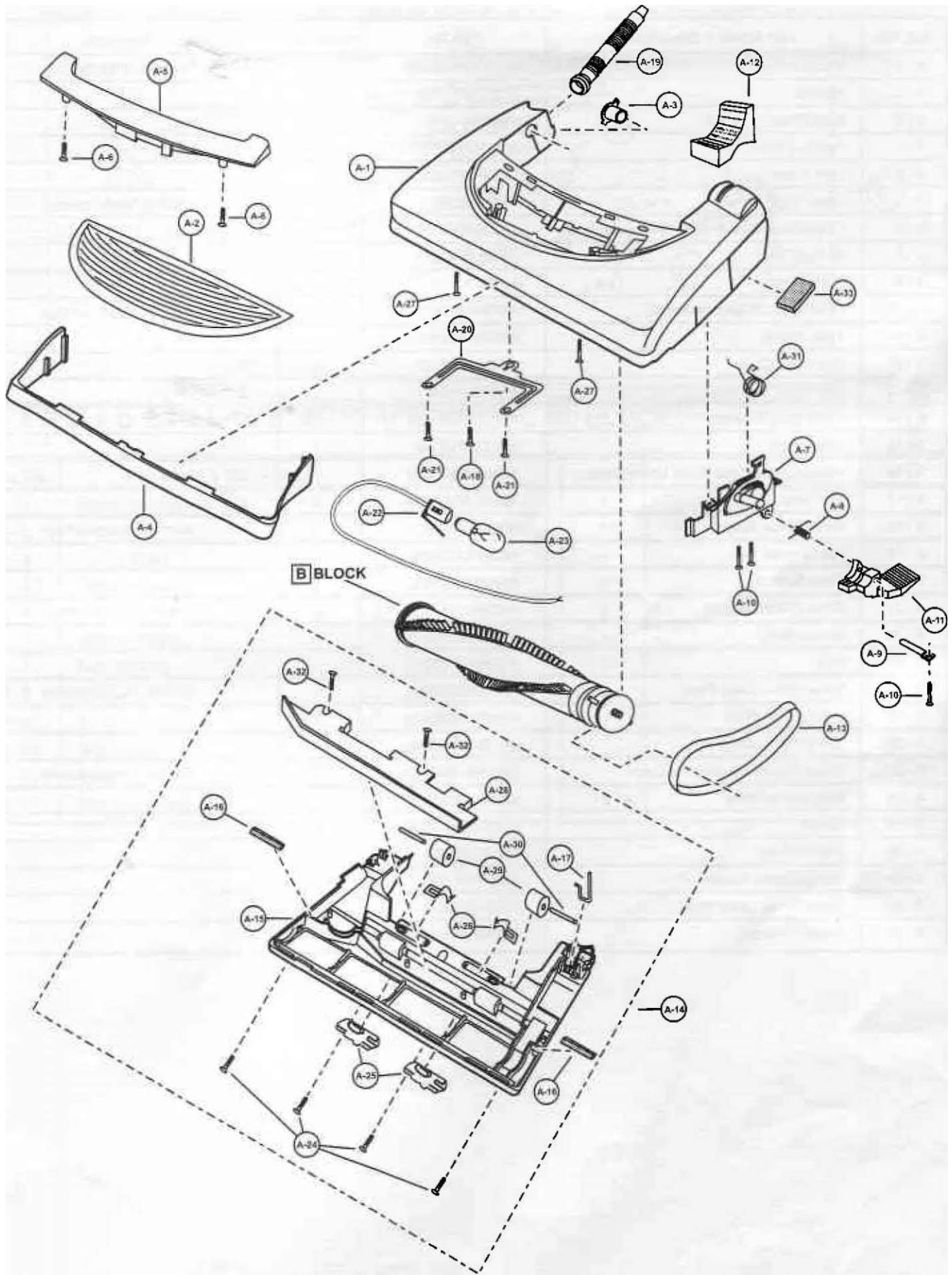
[Shop genuine replacement parts for PANASONIC  
MC-V5278-00](#)



[Find Your PANASONIC Vacuum Cleaner Parts - Select From 605 Models](#)

----- Manual continues below -----

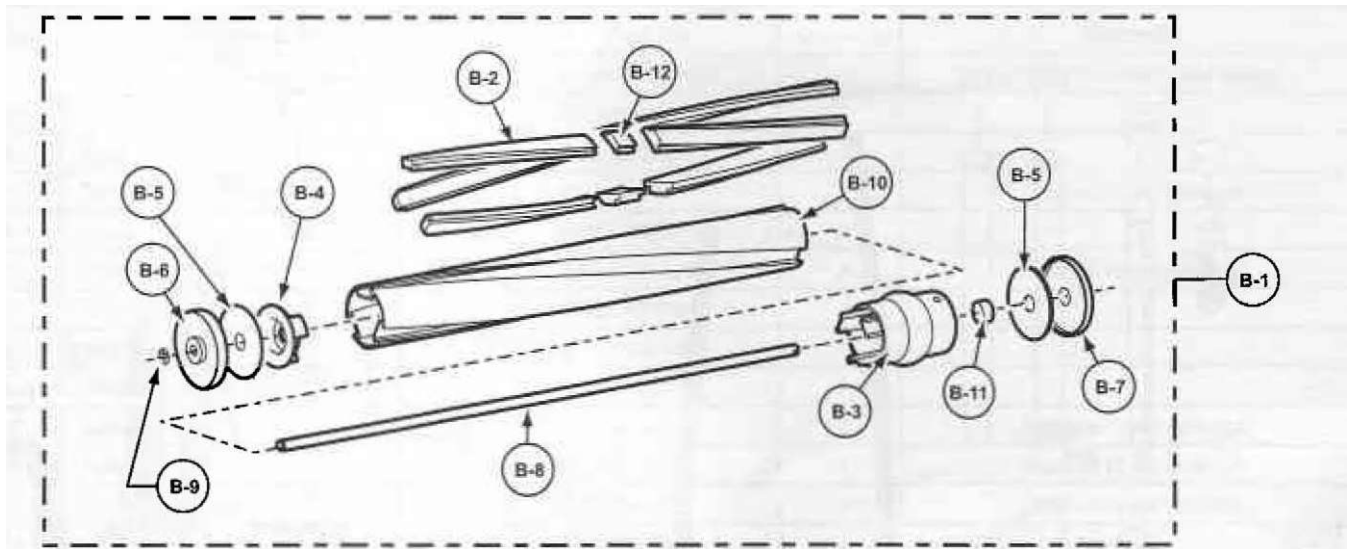
• EXPLODED VIEW (NOZZLE HOUSING)... H BLOCK



# PARTS LIST (NOZZLE HOUSING)... BLOCK

Ref. No.	Part Name & Description	Part No,	Quantity	Remarks
A- 1	Nozzle Housing	AC01A3YXZMU9	1	Jsf /includes A-33 Packing
A • 2	Window	AC21HAFVZ00	1	
A - 3	Shaft {Plastic}	AMC25S-V00	1	
A - 4	Furniture Guard	AC10AAGZZV07	1	
A - 5	Light Cover	AC24HAFVZM09	1	
A - 6	Screw (Light Cover)	AXTN4+20BFY		Shipped 10 per package
A - 7	Carpet/Bare Floor - Handle Release Assembly	AC92BAFWZU01	1	
A - 8	Spring (Pedal)	AC58AAFVZ00	1	
A - 9	Shaft (Pedal}	AMC51A-V30	1	
A - 10	Screw (Pedal/Frame Assembly)	AXTN4+14BFY		Shipped 10 per package
A- 11	Pedal (Black)	AMC47A-2V0U	1	
A - 12	Foot Pedal Cover	AC42AAFY1V07	1	
A - 13	Belt	AC28SJPZ00	1	
A - 14	Lower Plate Assembly	AC91AATEZV07	1	/ l a M ^ a ^ ^ -
A - 15	Lower Plate	AC27AATEZV07	1	
A - 18	Packing (Lower Plate/Body, Lower Plate)	AC19AARKZV00	1	
A - 17	Belt Cover	AC43SAFVZ00	1	
A - 18	Screw (Slider Support)	AC68AZAZ00	1	Shipped 10 per package
A - 19	Nozzle Hose	AC34PAJDZV06	1	
A - 20	Slider Support	AC53KAFVZ00	1	
A - 21	Screw (Slider Support)	AXTN4+16BFY		Shipped 10 per package
A - 22	Socket (Buib)	AC93HURZ00	1	
A - 23	Bulb	AC28GADFZ00	1	
A - 24	Screw (Metal Lower Plate)	AXTS3+10BFY	4	Shipped 10 per package
A - 25	Latch (Lower Plate)	AMC68N-AV0K	2	
A - 26	Spring (Stop Latch)	AC70NYUZ00	2	
A - 27	Screw (Nozzle Housing, For Latch)	AMC68A-V30	2	Shipped 10 per package
A - 28	Body (Lower Plate)	AC06AAJUZO0	1	
A - 29	Wheel	AC90QNGZV06	2	
A - 30	Shaft (Wheel)	AC16CNXZ00	2	
A - 31	Spring (Shifter Return)	AC81HAGZZ00	1	
A - 32	Screw (Body, Lower Plate)	AXTN4+16BFY	2	
A - 33	Packing (Nozzle)	AC04RAFWZ00	1	

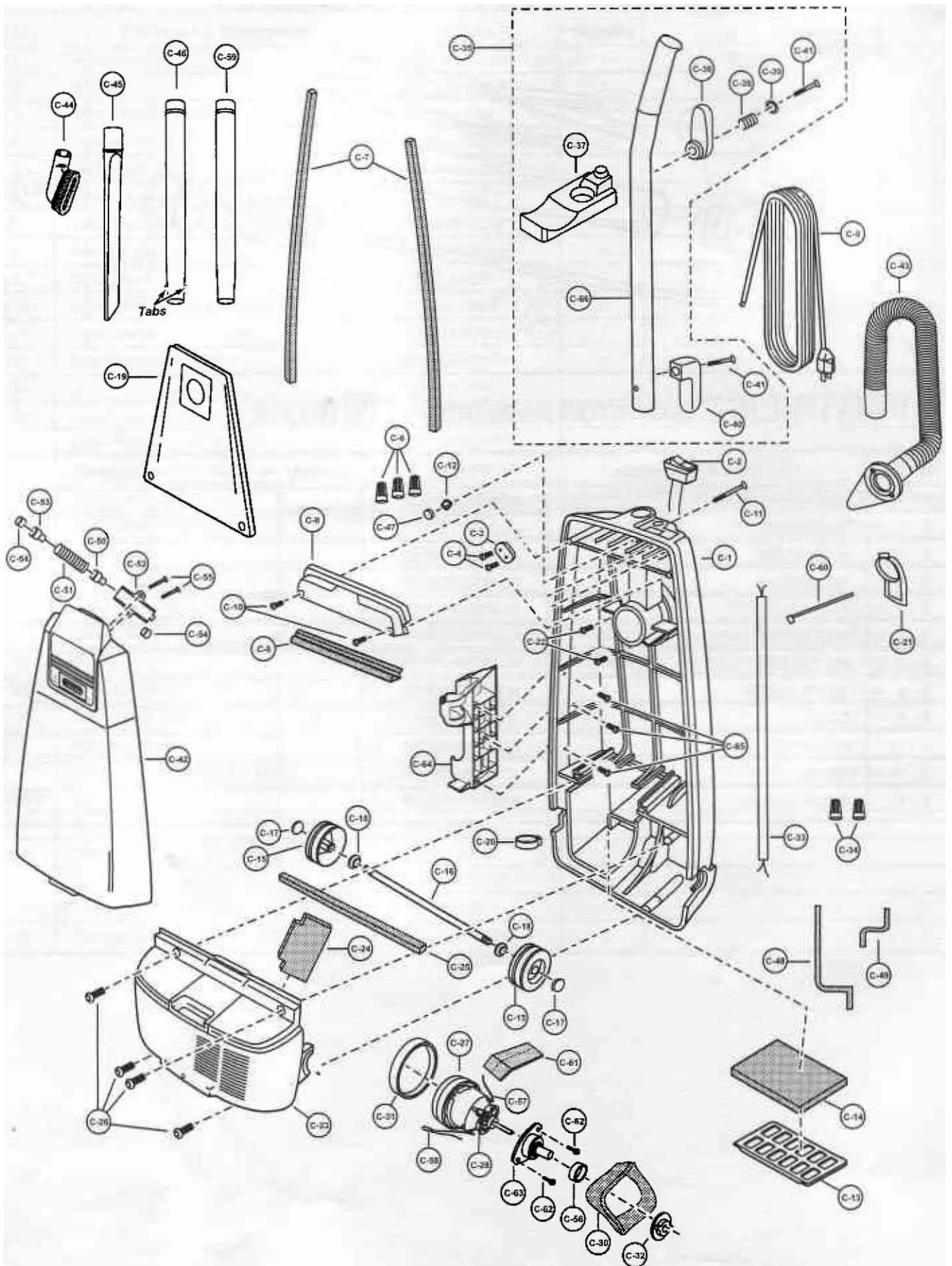
## EXPLODED VIEW (AGITATOR ASSEMBLY)... **B** BLOCK



## **PARTS LIST (AGITATOR ASSEMBLY)... **B** BLOCK**

Ref. No.	Part Name & Description	Part No.	Quantity	Remarks
B - 1	Agitator Assembly	AC92SBVNZ000	1	e ° - S
B - 2	Brush (6 Pes.)	AC85RB FT 0000	1	
B - 3	Agitator Pulley	AC29SBVNZ000	1	
B - 4	Agitator Holder	AC41SBVNZ000	1	
B - 5	Filter	AC44KBVNZ000		
B - 6	End Cap (Right)	AC96DBVNZ000	1	
B - 7	End Cap (Left)	AC97DBVNZ000	1	
B - 8	Agitator Shaft	AC57RBNVNZ000	1	
B - 9	E-Clip	AC23FBVNZ000	1	
B - 10	Brush Holder	AC56RBYYZ000	1	
B - 11	Spacer	AC74SBVNZ000	1	
B - 12	Spacer (Brushes)	AC34SBYYZ000	3	

# EXPLODED VIEW (BODY, MOTOR HOUSING, AND MOTOR)... BLOCK



# PARTS LIST (MOTOR HOUSING, MOTOR, HANDLE, AND BODY)... BLOCK

Ref. No.	Part Name & Description	Part No.	Quantity	Remarks
C - 1	Dust Compartment Unit	AC78KBFTZV07	1	Includes C-49 and C-50 Packing
C - 2	On-Off Switch	AMC98E-V010U	1	
C - 3	Cord Stopper	AMC62E-J20	1	
C - 4	Screw (Cord Stopper)	AXTN4+16BFY	2	Shipped 10 per package
C - 5	Power Cord	AC97EAEZV06	1	
C - 6	Wire Connector	AMC-1CTCE23	3	Shipped 10 per package
C - 7	Packing (Dust Container)	AC66KV01V06	2	
C - 8	Switch Cover	AC03EV07V06	1	
C - 9	Packing (Switch Cover)	AC73KV0ZV06	1	
C - 10	Screw (Switch Cover)	AXTN4+16BFY	2	Shipped 10 per package
C - 11	Handle Screw	AMC73B-V00	1	Shipped 10 per package
C - 12	Nut (Handle Screw)	AMP21B-170	1	Shipped 10 per package
C - 13	Filter Supporter	AMC32K-V00	1	
C - 14	Secondary Fitter (HEPA)	AC37KAAEZ00	1	1 . 9 ^ )
C - 15	Wheel	AC01CAGZZV06	2	
C - 16	Shaft (Wheel)	AC16CUSZ00	1	
C - 17	Stopper (Wheel)	AC74SUSZ00	2	
C - 18	Washer	AXWG6E115FY	2	Shipped 10 per package
C - 19	Dust Bag (Type U6)	AC16KJYZ00	1	/
C - 20	Hose Hook	AC53RJPZV07	1	
C - 21	Cover (Suction Inlet)	AC02HYUZV06	1	
C - 22	Screw (Suction Inlet)	AXTN4+16BFY	2	Shipped 10 per package
C - 23	Motor Case	AC09FBFT1M09	1	
C - 24	Packing (Rear Cover)	AMC02L-V00	1	
C - 25	Packing (Motor Case)	AC19FARSZV06	1	
C - 26	Screw (Motor Case)	AXTN4+20BFY	4	Shipped 10 per package
C - 27	Fan Motor Unit	AC92FBFTZ00	1	m y
C - 28	Carbon Brush	AC69RAKEZ00	1 (Set)	
	Screw, Brush (Not Illustrated)	AC68AAKEZ00	2	
C - 30	Noise Suppressor	AC99GAMMZ00	1	
C - 31	Motor Support (Front)	AMC02F-E00	1	
C - 32	Motor Support Rubber (Rear)	AC03FAFYZ00	1	
C - 33	Wire Cord	AMC37G-V200U	1	
C - 34	Wire Connector	AMC-1CTCE23	2	Shipped 10 per package
C - 35	Handle Assembly	AC95BJPZV06	1	
C - 36	Upper Cord Storage Hook	AC53EV0ZV07	1	
C - 37	Hose Holder	AC23PJPZV07	1	
C - 38	Spring (Cord Hook)	AMC76N-F70	1	
C - 39	Washer (Cord Storage Hook)	AMC58B-F70	1	Shipped 10 per package
C - 40	Lower Cord Storage Hook	AC54EV0ZV07	1	
C - 41	Screw (Cord Storage Hook)	AXTN4+30BFY	2	Shipped 10 per package
C - 42	Dust Cover	AC60KBYXZMU9	1	
C - 43	Hose	AC84PJPZV06	1	
C - 44	Dusting Brush	AC60KBYXZMU9	1	
C - 45	Crevice Tool	AC60RZFZVU6	1	
C - 46	Wand (With Tabs)	AC40PJPZV06	1	

# ■ PARTS LIST (MOTOR HOUSING, MOTOR, HANDLE, AND BODY)...C BLOCK

Ref. No.	Part Name & Description	Part No.	Quantity	Remarks
C - 47	Packing (Insulator)	AC61LAGMZ00	1	
C - 48	Packing (Right)	AC39AARSZV00	1	
C • 49	Packing (Left)	AC40AARSZV00	1	
C • 50	Lead (Indicator)	AMC03M-680R0	1	
C - 51	Spring (Indicator)	AC04MRFZ00	1	
C - 52	Body (Indicator)	AC15MVZ00	1	
C - 53	Cap (Indicator)	AMC17M-V20	1	
G - 54	Packing (indicator)	AMC09M-L30		
C - 55	Screw (Indicator)	AXTN4+10BFY		Shipped 10 per package
C - 56	Ring Spacer	AC53MAKEZ00	1	
C - 57	Lead Wire (Motor)	AC3SGARTZ00	1	
C-58	Thermal Protector Unit	AC98WAUDZ00	1	
C - 59	Extension Wand (No tabs)	AC40PZG1V06	1	
C - 60	Wire Tie	AMC596-702	1	Shipped 10 per package
C- 61	Cooling Guide	AC41FATCZ00	1	
C - 62	Screw (Flange)	AXTN4+10FFY		Shipped 10 per package
C - 63	Flange	AC25SAFYZ00	1	
C - 64	Wand Holder	AC70PJPZV07	1	
C - 65	Screw (Wand Holder)	AXTN4+16BFY	3	Shipped 10 per package
C - 66	Handle	AC64BVIZV07	1	