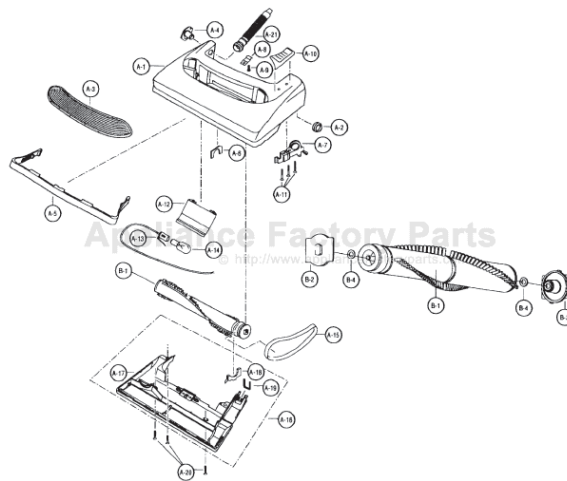


This Owner's Manual is provided and hosted by [Appliance Factory Parts](http://www.ApplianceFactoryParts.com).



PANASONIC MC-V5335 Owner's Manual

[Shop genuine replacement parts for PANASONIC
MC-V5335](#)

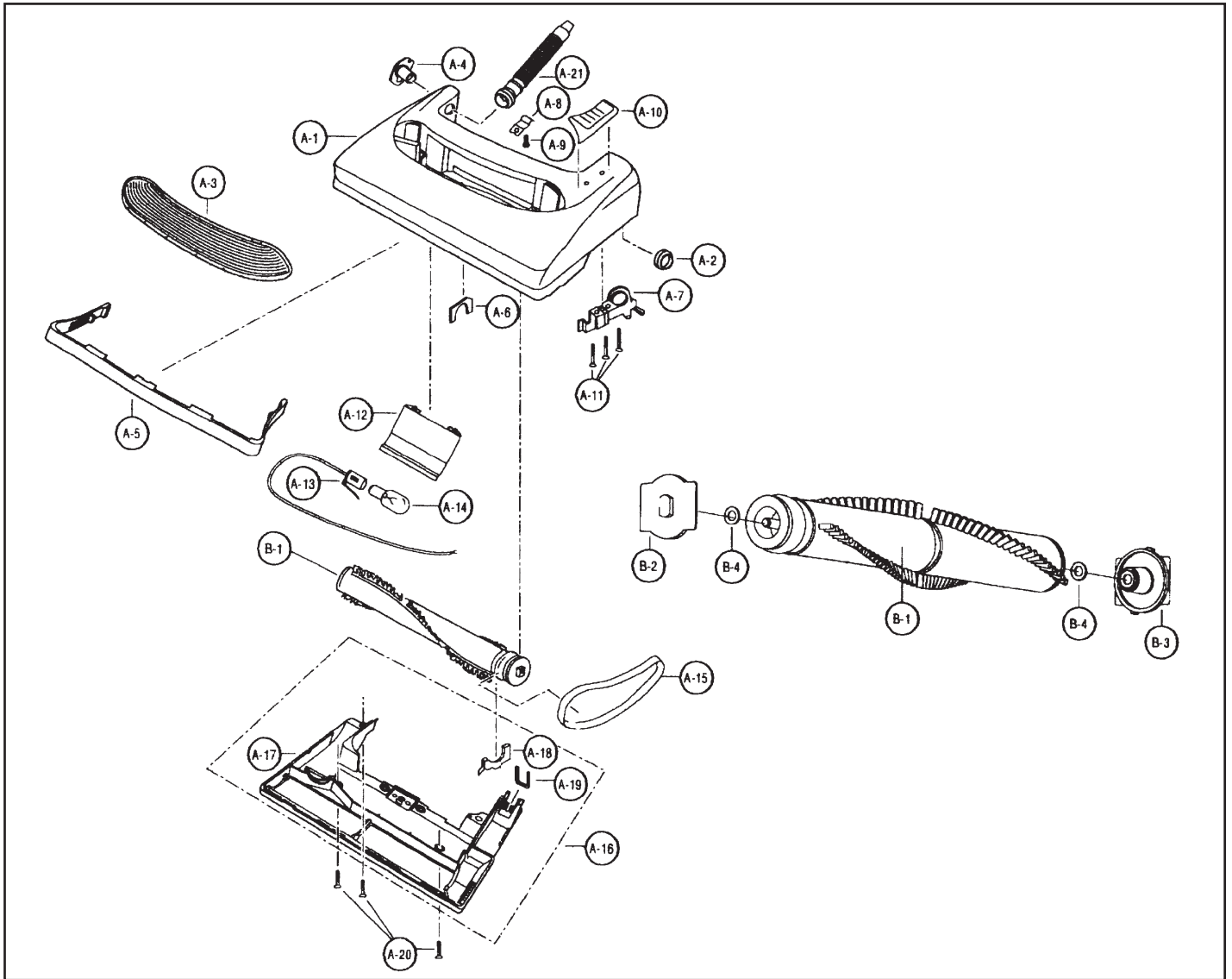


[Find Your PANASONIC Vacuum Cleaner Parts - Select From 605 Models](#)

----- Manual continues below -----

Original & Replacement **PANASONIC**

Models V5315, V5325, V5335, V5355



PARTS LIST (NOZZLE HOUSING)

KEY	PART NO.	DESCRIPTION
A-1	P-73101	Nozzle Housing V5315
A-1	NLA	Nozzle Housing V5325
A-1	P-73110	Nozzle Housing V5335
A-1	NLA	Nozzle Housing V5355
A-2	P-73907	Plastic Holder
A-3	P-75812	Window
A-4	P-73900	Plastic Shaft
A-5	NLA	Furniture Guard
A-6	P-76425	Tight Packing
A-7	P-73421	Frame
A-8	P-77205	Pedal Spring
A-9	P-77020	Screw
A-10	P-73718	Pedal
A-11	P-77020	Screw, Frame
A-12	P-84HURZW000	Reflector
A-13	P-93HUSZ0000	Bulb Socket
A-14	FA-3500	Bulb

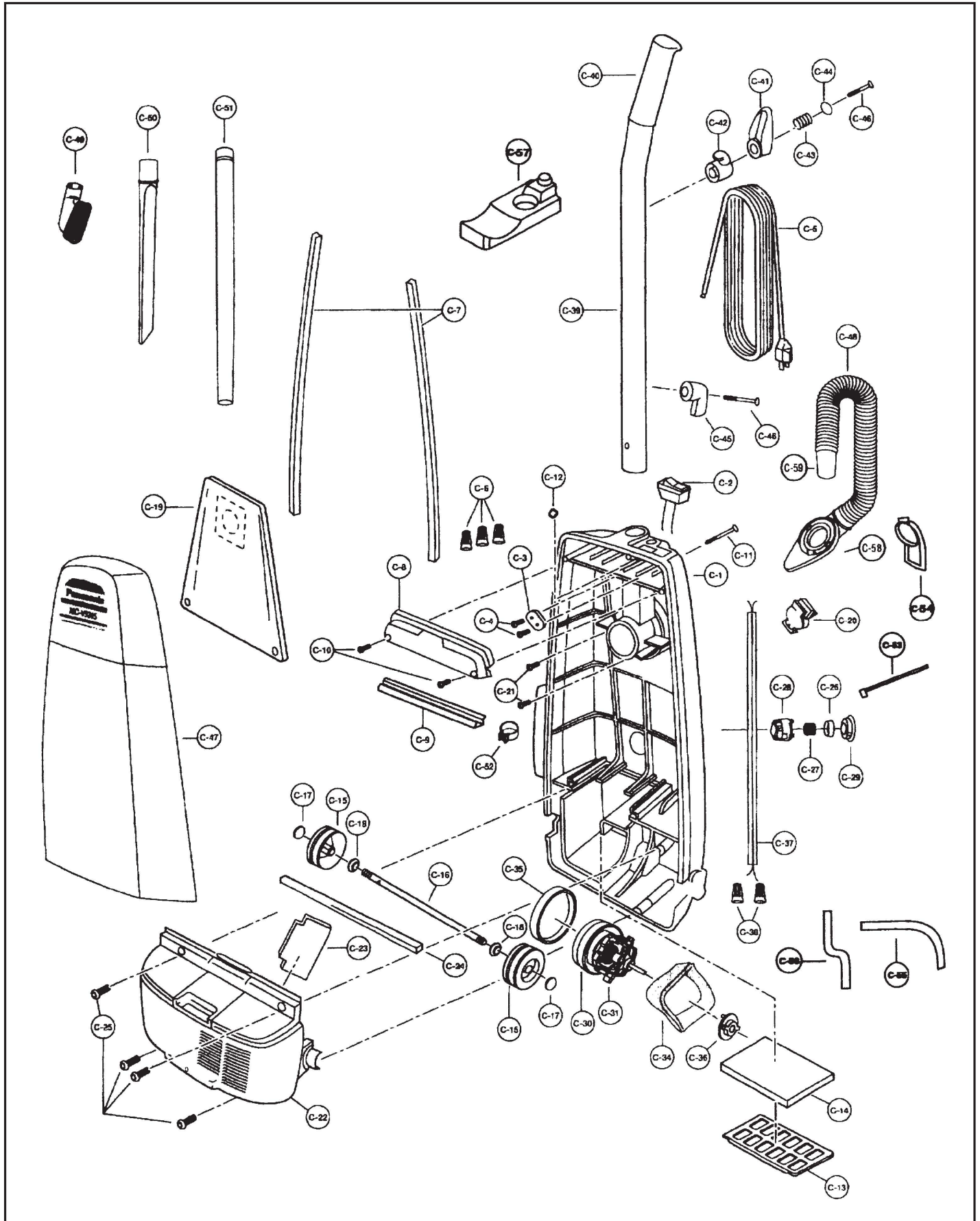
KEY	PART NO.	DESCRIPTION
A-15	P-MC210B	Belt 2 Pk
A-15	PR-1015	Belt
A-16	NLA	Lower Plate Ass'y V5315/V5335
A-16	P-76024	Lower Plate Ass'y V5325/V5355
A-17	P-27AAEC1V007	Lower Plate V5315/V5335
A-17	P-27AAGW1V07	Lower Plate V5325/V5355
A-18	P-76740	Lower Plate Packing
A-19	P-76315	Belt Cover
A-20	P-77012	Screw, Lower Plate
A-21	P-72403	Nozzle Hose, Short

PARTS LIST (AGITATOR ASSEMBLY)

B-1	P-20020	Agitator Wood V5315/V5335
B-1	NLA	Agitator Plastic V5325, V5355 (Order P-20020)
B-2	P-20525	End Cap "A"
B-3	P-20535	End Cap "B"
B-4	P-681-424	Washer

PANASONIC Original & Replacement

Models V5315, V5325, V5335, V5355



Original & Replacement **PANASONIC**

Models V5315, V5325, V5335, V5355

PARTS LIST (DUST COMPARTMENT HOUSING)

KEY	PART NO.	DESCRIPTION	KEY	PART NO.	DESCRIPTION
C-1	NLA	Dust Compartment Unit V5315, V5335	C-31	P-63045	Carbon Brush V5315
C-1	P-75253	Dust Compartment Unit V5325, V5355	C-31	P-63052	Carbon Brush V5325, V5335, V5355
C-2	P-34100	On/Off Switch	C-32	P-02D-V300U	Brush Retainer Bracket (Not Illustrated)
C-3	P-62E-J20	Cord Stopper	C-33	P-40D-V300U	Screw (Brush) (Not Illustrated)
C-4	P-77020	Screw	C-34	P-18706	Noise Suppressor
C-5	P-97EADFZV006	Power Cord V5315	C-35	P-76768	Motor Support Rubber Front
C-5	P-97EAGMZ06	Power Cord V5325	C-36	P-76769	Motor Support Rubber Rear
C-5	P-97EAEEZV006	Power Cord V5335	C-37	P-37G-V02GU	Wire Cord
C-5	P-97EADGZV06	Power Cord V5355	C-38	SS-3270	Wire Connector
C-6	SS-3270	Wire Connector	C-39	P-70124	Handle
C-7	P-66KV01V006	Dust Container Packing	C-40	P-50BTE1VU06	Handle Grip
C-8	P-03EV04V006	Switch Cover	C-41	P-70818	Upper Cord Storage Hook
C-9	P-73KV0ZV006	Switch Cover Packing	C-42	P-70915	Cord Storage Base V5315, V5335
C-10	P-77020	Screw	C-43	P-77200	Cord Hook Spring
C-11	P-77043	Handle Screw	C-44	P-77120	Washer
C-12	P-21B-170	Nut	C-45	P-70867	Lower Cord Storage Hook
C-13	P-18420	Filter Supporter	C-46	P-77040	Screw
C-14	P-MC181E	Secondary Filter Electrostatic 2 Pk	C-47	P-60KAEDZBU13	Dust Cover V5315
C-15	P-71125	Roller	C-47	P-60KAGTZPU1	Dust Cover V5325
C-16	P-71375	Roller Shaft	C-47	P-60KAEEZGU06	Dust Cover V5335
C-17	P-71500	Stopper, Wheel	C-47	P-60KAGVZU5	Dust Cover V5355
C-18	P-XWG6E115FY	Washer	C-48	NLA	Stretch Hose V5315, V5335
C-19	P-MC115P	Paper Bag 3 Pk	C-48	P-73651	Hose V5325
C-19	PR-14005	Paper Bag U, U3 DVC 3 Pk	C-48	P-73656	Hose V5355
C-19	PR-1400	Paper Bag U, U3 ENV 3 Pk	C-49	P-53020	Dusting Brush
C-20	P-75690	Cover, Suction Inlet V5375, V5335	C-50	P-54017	Crevice Tool
C-21	P-77020	Screw	C-51	P-50030	Wand
C-22	NLA	Motor Case V5315	C-52	P-75921	Hose Hook
C-22	P-75043	Motor Case V5325	C-53	P-596-702	Wire Tie, V5325, V5355
C-22	P-75105	Motor Case V5335	C-54	P-75690	Cover, Suction Inlet V5325, V5355
C-22	P-75044	Motor Case V5355	C-55	P-39AYUZV00	Packing, Right V5325, V5355
C-23	P-76850	Rear Cover Packing	C-56	P-40AYUZV00	Packing, Left V5325, V5355
C-24	P-19FV0ZV006	Motor Case Packing	C-57	P-70500	Hose Holder V5325, V5355
C-25	P-77020	Screw	C-58	P-60HJPZV06	Suction Inlet V5325, V5355
C-26	P-50522	Protector	C-59	P-58PZF1V06	Hose Adaptor V5325, V5355
C-27	P-77220	Protector Spring V5315, V5325, V5355			
C-27	P-70KJMZ0000	Protector Spring V5335			
C-28	P-75682	Protector Case			
C-29	P-50525	Protector Supporter			
C-30	P-60135	Motor Unit V5315			
C-30	NLA	Motor Unit V5325, V5335, V5355			
C-30	PR-6011	Motor Unit V5325, V5335, V5355			