

Model D4C & D4CSE

D4C-Beginning Serial No. 6000000

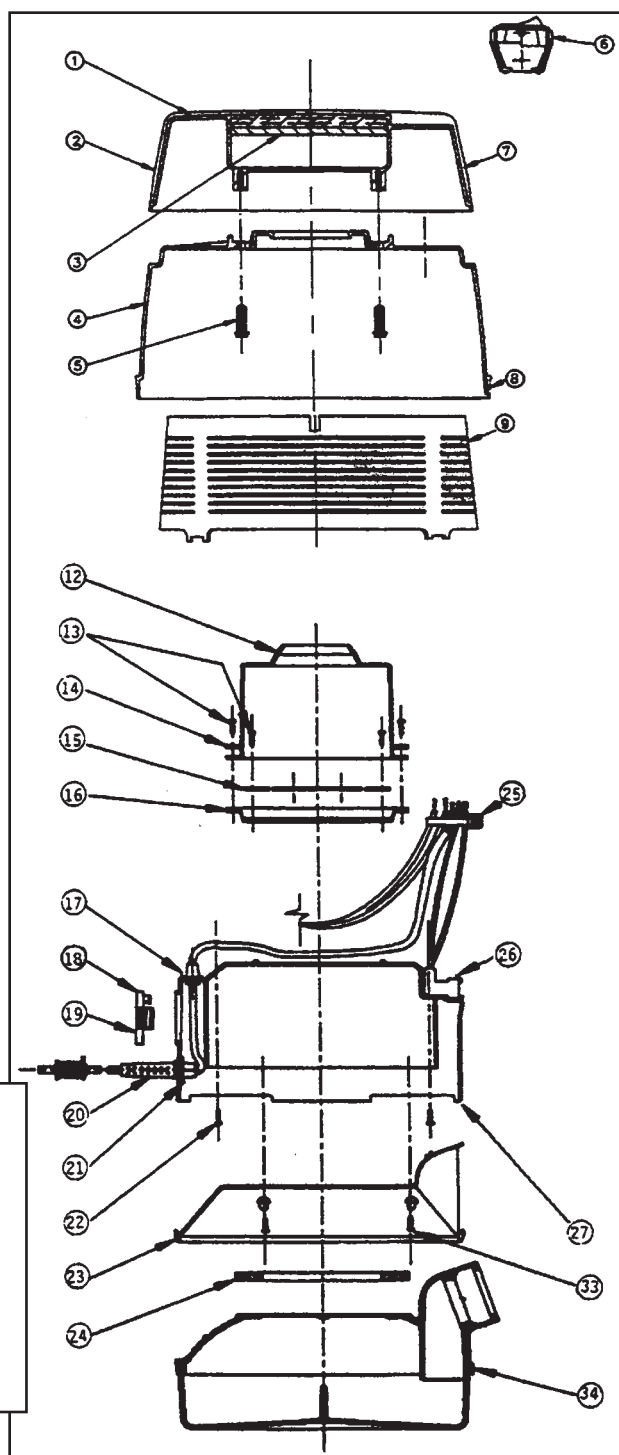
D4C SE – Beginning Serial No. 7000000

Cap & Baffle Assembly

KEY	PART NO.	DESCRIPTION
1a	NLA	Cap & Cover Ass'y W/O Baffle D4C (Order R-4364)
1b	R-4364	Cap & Cover Ass'y With Baffle D4C SE
1	NLA	Handle Applique, Top D4C (Order R-4297)
1	R-4297	Handle Applique Top D4C, D4CSE
2	R-3160	Cap & Cover Ass'y D4C, D4CSE (Includes Items 1, 3, 7)
3	R-2584	Handle Pad
4	R-3161	Cap Ass'y (4 Screw) D4C, D4CSE (Includes Item 8)
5	R-H515	Plastic Screw 10-10 x .62
6	R-2728	Switch, Snap In With 4 10" Leads
7	R-2722	Handle Applique, Side
8	R-2592	Cap Applique D4C
8	NLA	Cap Applique D4CSE
9	R-2765	Outer Baffle Ass'y D4C

Main Housing Sub Ass'y and Water Pan

KEY	PART NO.	DESCRIPTION
	R-3065**	Main Housing Sub Ass'y
12	R-2582	Motor Shroud
13	R-H556	Plastic Screw 8-10 x .62
14	R-2172	Clamp Ring Segment (Prior to S/N 6476946)
15	R-2585	Clamp Ring Segment
16	R-2701	Motor Support Ring
17	R-2607	Strain Relief Clip
18	R-2708	Closure Cover Ass'y, Spring Activated
	R-2706*	Closure Cover Latch
18	R-3845	Closure Cover Ass'y, Bayonet Style (After SN 6878826)
19	R-2772	Closure Cover Applique
20	R-4052	Electric Cord 2 Wire
21	R-2605	Strain Relief Support
22	R-H515	Screw, Cap Cover
23	R-5080	Baffle Plate Ass'y
24	R-2702	Motor Gasket
25	R-2380	Cable Tie
26	R-3184	Power Nozzle Receptacle
27	R-3065**	Main Housing Sub-Ass'y D4C
	R-4543**	Main Housing Sub-Ass'y D4CSE



28	R-2586	Main Housing Applique D4C
28	R-4201	Main Housing Applique D4CSE
29	R-2622	Latch Without Pin And Spring D4C, D4CSE
30	R-2593	Latch Applique D4C
30	R-4203	Latch Applique D4CSE
31	R-2654	Latch Spring
32	R-1566	Latch Pin
33	R-H491	Plastic Screw 8-10 x .50
34	R-2809	Water Pan Ass'y 2 Quart

* NOT SHOWN

** SERIALIZED HOUSINGS ARE NOT
CURRENTLY AVAILABLE FROM REXAIR

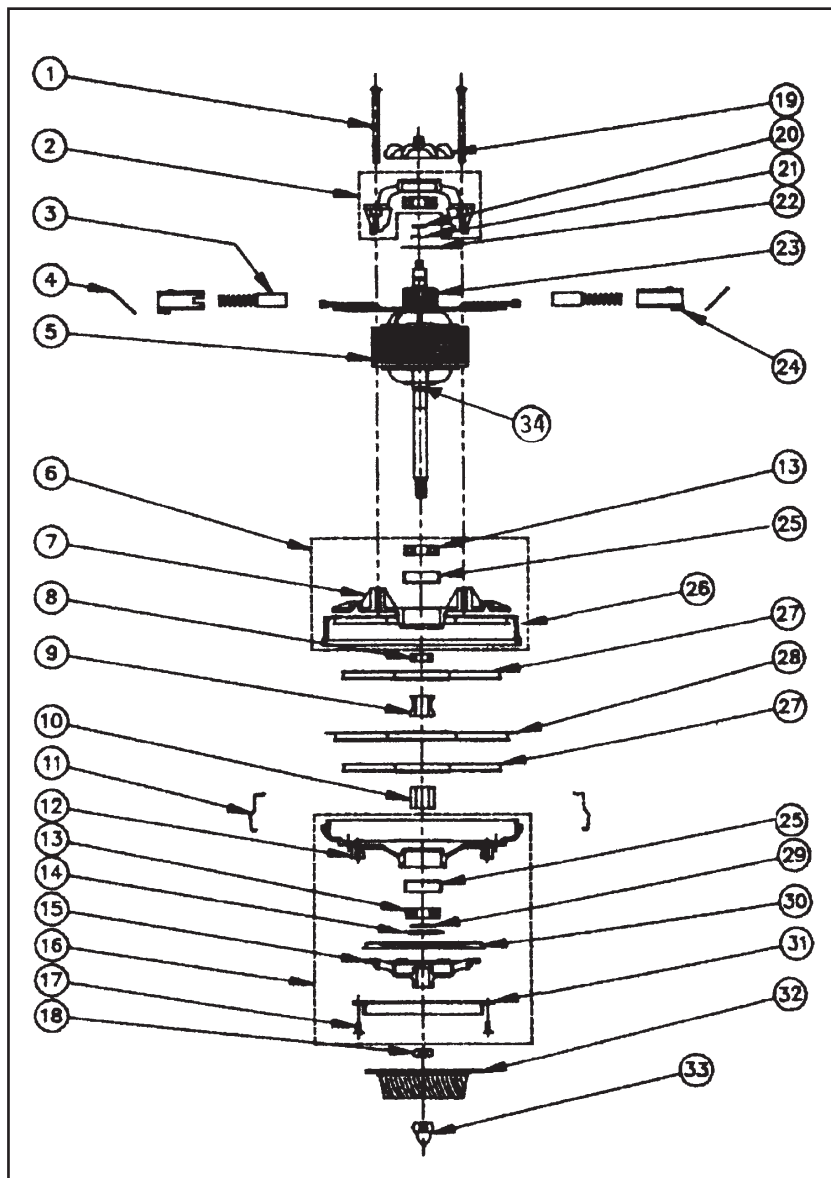
REXAIR Original

Model D4C & D4CSE Motor Assembly R-3242

D4C-Beginning Serial No. 6000000

D4CSE Beginning Serial No. 7000000

KEY	PART NO.	DESCRIPTION
	R-3242*	Packed Service Motor Ass'y
1	R-H545	Plastic Screws 10-10 x 2.81
2	R-2677	Bearing Bridge Ass'y
3	R-2421	Motor Brush 1/2" Wide
		To SN 7520714
3	R-5125	Motor Brush 5/8" Wide
		From SN 7520715
4	R-2703	Brush Holder Clip
5	R-3159	Field Ass'y
6	R-2773	Motor Base & Bearing Ass'y
7	R-2636	Motor Base Ass'y
8	R-2680	Fan Spacer, Top
9	R-2681	Fan Spacer, Middle
10	R-2679	Fan Spacer, Lower
11	R-2682	Stage Housing Clip
12	R-2774	Lower Housing &
		Inner Baffle Plate Ass'y
13	R-1981	Ball Bearing
14	R-2630	Bearing Retainer Shield
15	R-4101	Spider (After 11/90)
15	NLA***	Spider (Prior to 11/90)
	RR-6260	Spider, Plastic D2-D3C
16	NLA	Lower Housing Ass'y
		(Prior to 11/90)
16	R-4612	Lower Housing Ass'y
		(After 11/90)
17	R-H542	Screws 8-10 x .43
18	R-H526	Armature Shaft Nut
19	R-3277	Motor Fan
		(Starting With S/N 6214174)
20	R-2936	O-Ring
21	R-2525	Washer, Wave
22	R-2946	Washer, Insulator
23	R-2598	Armature Ass'y
24	R-2700	Brush Holder To SN 7520714
24	R-5124	Brush Holder From SN 7520715
25	R-1987	Bearing Boot
26	R-2613	Upper Stage Ass'y
27	R-2609	Fan Ass'y
28	R-2617	Lower Stage Ass'y
29	R-1979	Slinger Ring
30	R-2698	Outer Baffle Plate/Air Deflector
31	R-747	Motor Gasket Flange
32	R-4100	Separator (After 11/90)
32	NLA***	Separator, Low Profile
	RR-6250	Separator, All Models Prior To
		D4C, D4CSE
33	R-H555	Separator Nut - Flat (After 11/90)
33	R-H524	Acorn Nut (Prior to 11/90)
34	R-H523**	Retaining Ring (See Note Below)



***THE R-312 LOW PROFILE SEPARATOR AND R-1976 SPIDER ARE NO LONGER AVAILABLE FROM REXAIR. WHEN REPLACING THE SEPARATOR OR SPIDER ON D3 THRU EARLY D4 MOTORS YOU MUST REPLACE THE R-4100 SEPARATOR, R-4101 SPIDER AND THE R-H555 NUT.

* EARLY PRODUCTION D4C MACHINE USED OLD STYLE SEPARATOR & NUT, WHICH WILL NOT WORK ON CURRENT REPLACEMENT MOTOR. THE R-3242 PACKED MOTOR ASS'Y DOES NOT INCLUDE THE R-4100 SEPARATOR OR THE R-H555 ACORN NUT. THESE ITEMS MUST BE PURCHASED SEPARATELY.

** THE R-H523 RETAINING RING IS INCLUDED IN THE R-2598 ARMATURE ASS'Y AND IS SHOWN HERE FOR LOCATION PURPOSES ONLY.

Original **REXAIR**

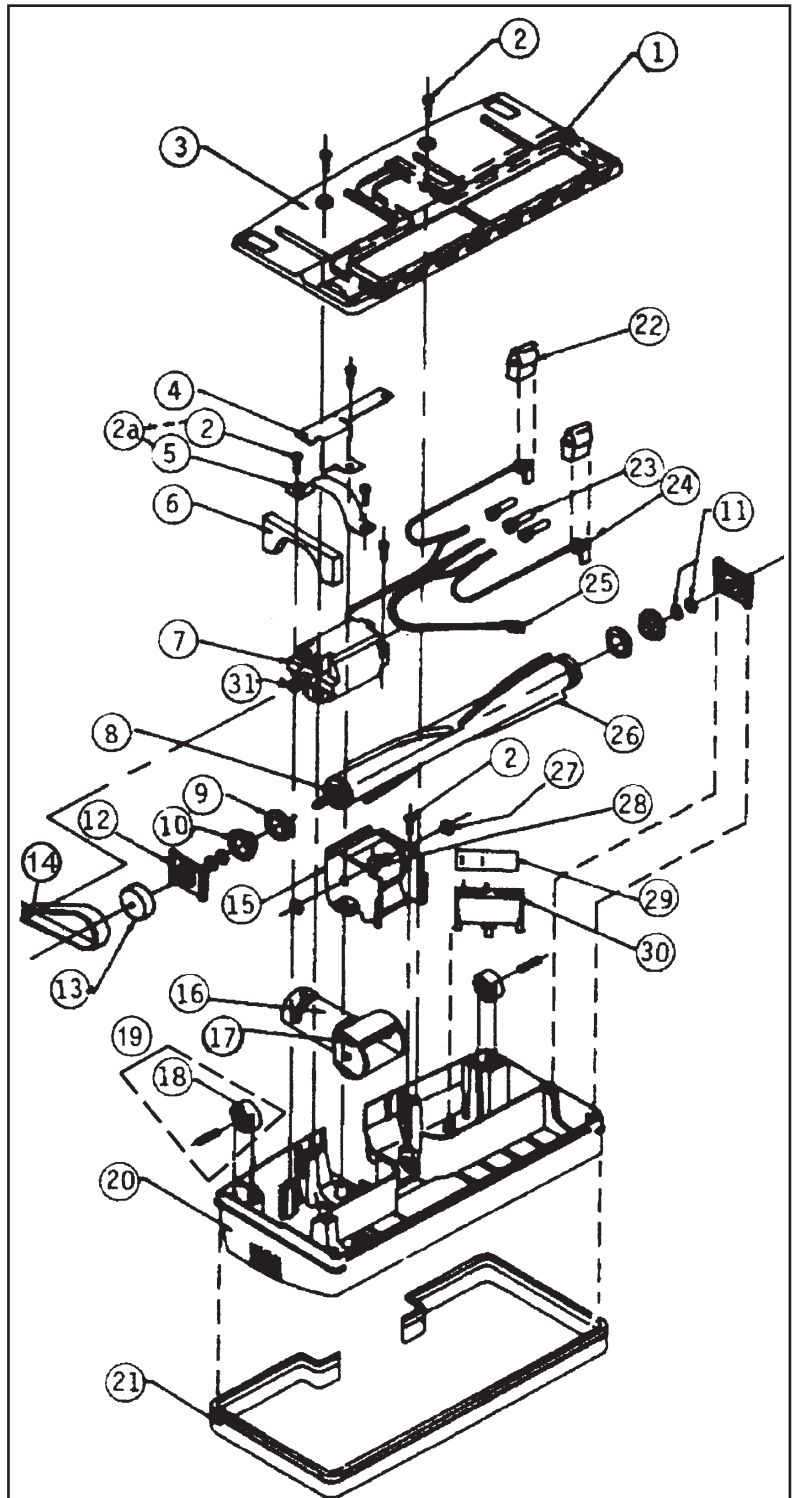
D4C Power Nozzle R-2800C

D4CSE Power Nozzle R-4375C

KEY	PART NO.	DESCRIPTION
1	R-2003	Sole Plate Gasket
2	R-H515	Screw
2a	R-H552	Screws For Use w/o 1716
3	R-2004	Sole Plate Ass'y
4	R-1997	Insulator
5	R-1716	Motor Bracket
6	R-1813	Air Barrier
7	R-1871	Motor
	R-4662	Power Nozzle Motor Brush
	R-4663	Power Nozzle Rear Bushing
8	R-1866	Brush Ass'y Complete
8	R-1690	Brush Dowel Only
9	R-1692	Felt Seal
10	R-1691	Keeper
11	R-1698	Thrust Washer
12	R-1744	Bearing Ass'y, Includes:
	R-2443	End Caps, Rubber
13	R-1702	Pulley 1650/2800C
	R-3472	Pulley Model 4375C
14	R-1699	Drive Belt
	R-3300*	Pivot Arm & Housing Ass'y
15	R-2803	Pivot Housing
16	R-2801	Pivot Arm With Felt Pad
	R-1996*	Clevis Pins (Start S/N 4561267)
	R-H527*	E Rings (Start S/N 4561267)
17	R-2069	Felt Pad
18	NLA	Wheel NLA (Order R-3432)
19	R-3432	Wheel Repair Kit
20	**	Main Housing
21	R-2795	Bumper
22	R-1778	Insulation Pod
23	R-1775	Closed End Splice
24	R-1754	Lead Ass'y
25	R-1818	Indicator Light Ass'y
26	R-1695	Beater Bar
27	R-H527	E-Ring
28	R-1996	Clevis Pin
29	NLA	Circuit Breaker Insulator (Order R-8452)
30	R-8452	Circuit Breaker SE Model 2800C, 4375C
	R-H568*	Nut, Circuit Breaker
31	R-3550	Sleeve Ass'y

NLA = No Longer Available

* NOT SHOWN
 ** GENUINE SERIALIZED
 HOUSINGS ARE NOT
 CURRENTLY AVAILABLE
 FROM REXAIR. CONTACT
 YOUR ESSCO SALES PERSON
 FOR AVAILABILITY.



REXAIR Original

D4C Power Nozzle R-2800C

D4CSE Power Nozzle R-4375C

Figure A - D4C Model R-2800C

KEY	PART NO.	DESCRIPTION
	R-2863**	Main Housing Ass'y Complete
1	R-2653	Strap, Hose Cord
2	NLA	Curved Wand Ass'y
3	R-2781	Straight Wand Ass'y w/Latch
4	R-2789	Lens, Right Hand
5	NLA	Applique, Right Hand
6	R-2793	Applique, Wood Grain
7	R-2775	Slide Valve Guide Ass'y
8	R-1990	Slide Valve
9	R-2496	Cord, Power Nozzle
10	R-2685	Lens, Left Hand
11	NLA	Applique, Left Hand
12	R-4053	Flex & Strain Relief Bushing
13	NLA	Lens Pilot Light
14	R-2786	Hose Ass'y Includes:
	R-2784*	Hose Coupling Ass'y
	R-2785*	Hose & Molded Tip
	R-579*	Molded Tip Only
15	R-2885	Strap, Wand Cord
	NLA*	Operation Manual
	R-1877*	Extension Cord Convert 3 Wire to 2 Wire
	R-3520*	Cord Guide Replacement Kit

* NOT SHOWN

** GENUINE SERIALIZED HOUSINGS ARE NOT CURRENTLY AVAILABLE FROM REXAIR. CONTACT YOUR ESSCO SALES PERSON FOR AVAILABILITY.

Figure A
Model 2800C

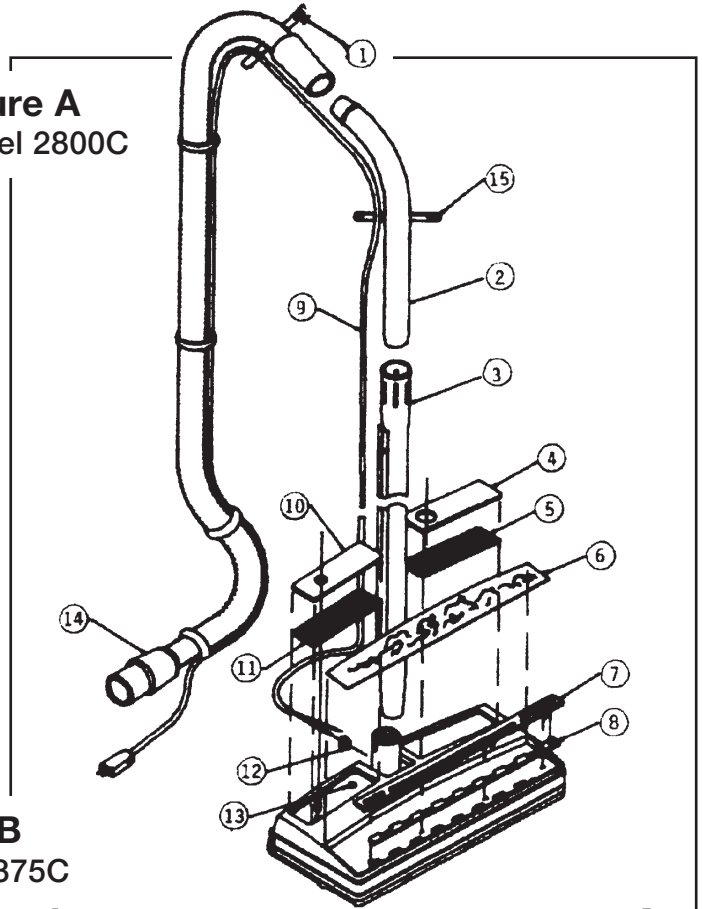
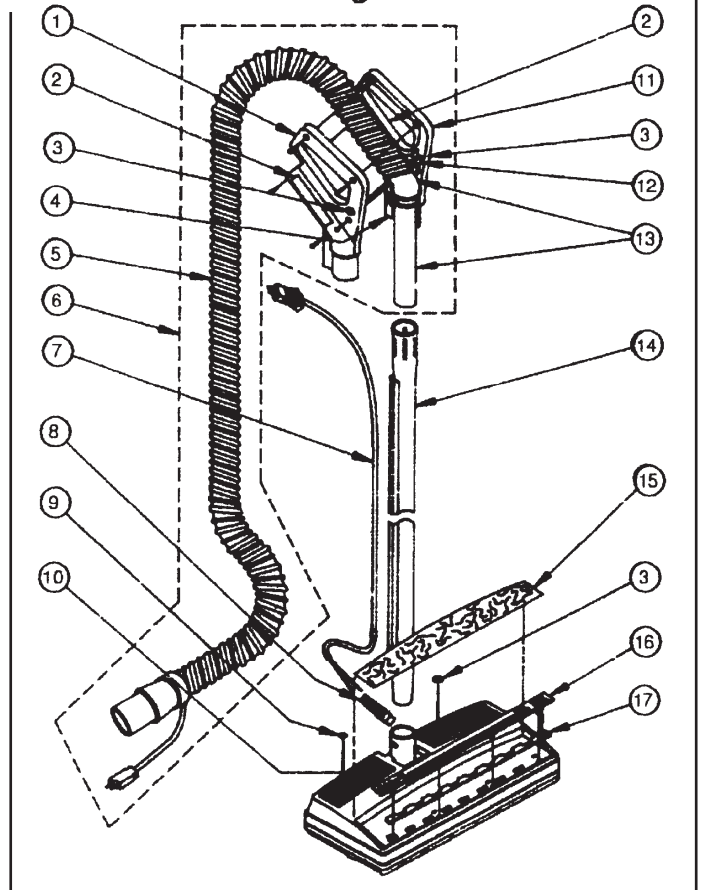


Figure B
Model 4375C

Figure B - D4CSE Model R-4375C

KEY	PART NO.	DESCRIPTION
1	R-4295	R.H. Handle Ass'y Includes Rexair Logo
2	NLA	Warning Label
3	NLA	Rexair Logo
4	R-4122	Receptacle
5	R-4090	Electrified Hose Blank
6	NLA	Electrified Hose & Handle Ass'y - Includes: (Order RR-4015)
	R-1775	Closed End Splice
	R-4109	Handle Insert Ass'y
	R-4122	Receptacle
	R-4295	R.H. Handle Ass'y
	R-4296	L.H. Handle Ass'y
	R-H566	Screws
6	RR-4015	Electrified Hose Ass'y W/Gas Pump Grip, Switch And Button Lock
	FA-3085	Pigtail, Machine End
7	R-4121	Power Nozzle Cord
8	R-4053	Flex & Strain Relief Bushing
9	R-H568	Circuit Breaker Panel Nut
10	R-1818	Pilot Light Ass'y
11	R-4296	L.H. Handle Ass'y - Includes: Rexair Logo
12	R-1775	Closed End Splice
13	R-4109	Handle Insert Ass'y - Includes:
	R-4112	Handle Insert
	R-4113	P/N Handle Wand
14	R-2781	Straight Wand Ass'y w/Cord Guide
15	R-4200	Power Nozzle Applique
16	R-2775	Slide Valve Guide Ass'y
17	R-1990	Slide Valve
	NLA	Operation Manual



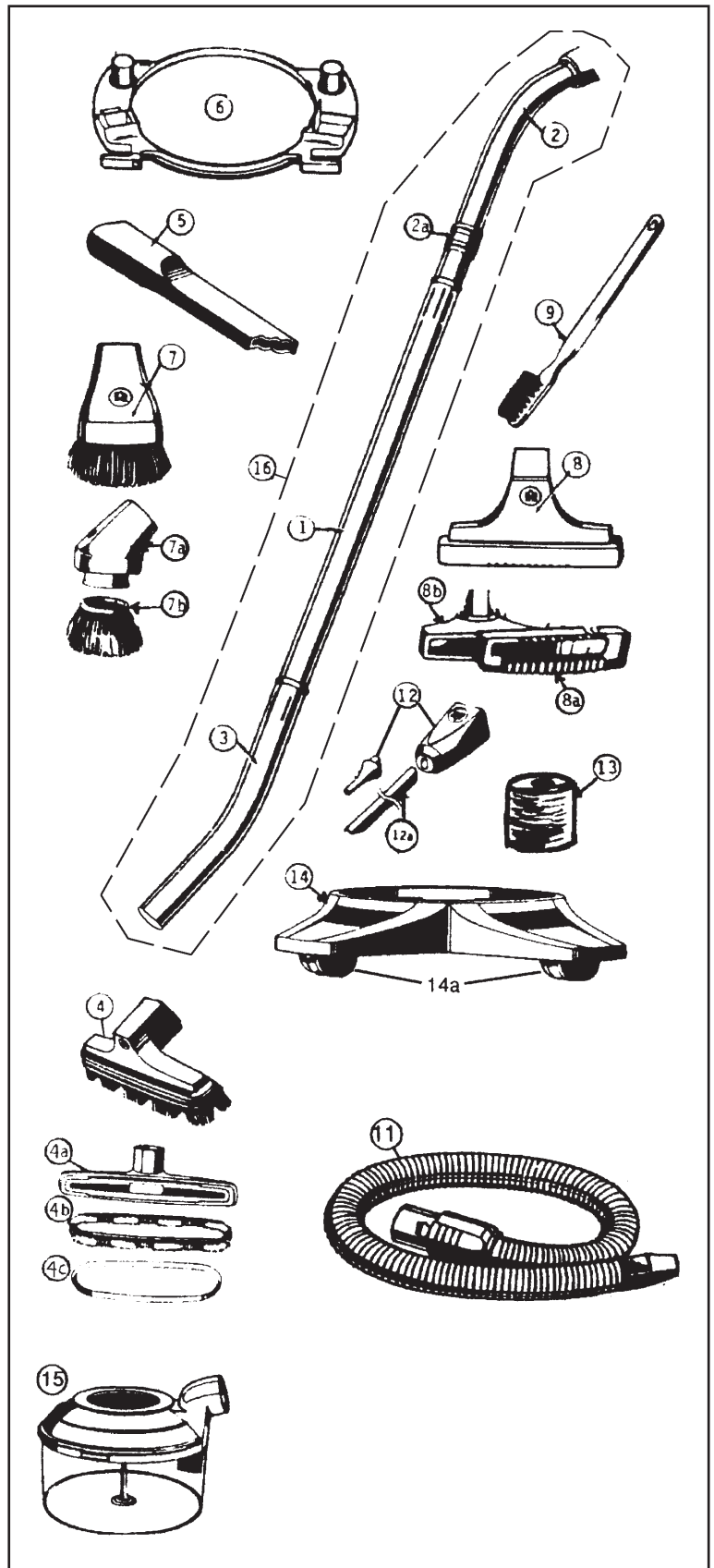
NLA = No Longer Available

Original **REXAIR**

Model D4C & D4CSE Attachments (Black)

KEY	PART NO.	DESCRIPTION
1	NLA	Straight Wand
2	NLA	Curved Wand
2a	R-2792	Suction Control Sleeve
3	NLA	Bottom Wand
4	R-4530	Floor Tool Ass'y
4a	R-4659	Floor Tool Body w/Logo
4b	R-2540	Floor Tool Bristles
4c	R-2816	Floor Tool Guard
5	R-2556	Crevice Tool
6	R-2709	Attachment Caddy
7	R-2519	Dusting Brush Ass'y
7a	R-3076	Dusting Brush Body w/Logo
7b	R-192	Dusting Brush Bristles
8	R-2535	Upholstery Tool Ass'y
8a	R-2537	Upholstery Tool Brush
8b	R-3079	Upholstery Tool Body w/Logo
9	R-841	Separator Brush
10	NLA	Operation Manual
11	R-2786	Hose Ass'y
12	R-3358	Inflator Tool Ass'y
12a	R-4142	Coil Cleaner
13	R-4176	Non-Wettable Adapter Ass'y
14	R-4560	Dolly W/Out Wheels
14a	R-4149	Dolly Castors
14b	R-4204	Dolly Applique
15	R-2823	4 Quart Basin
16	R-12972	Wand Kit, 3 Piece Upper, Middle And Lower

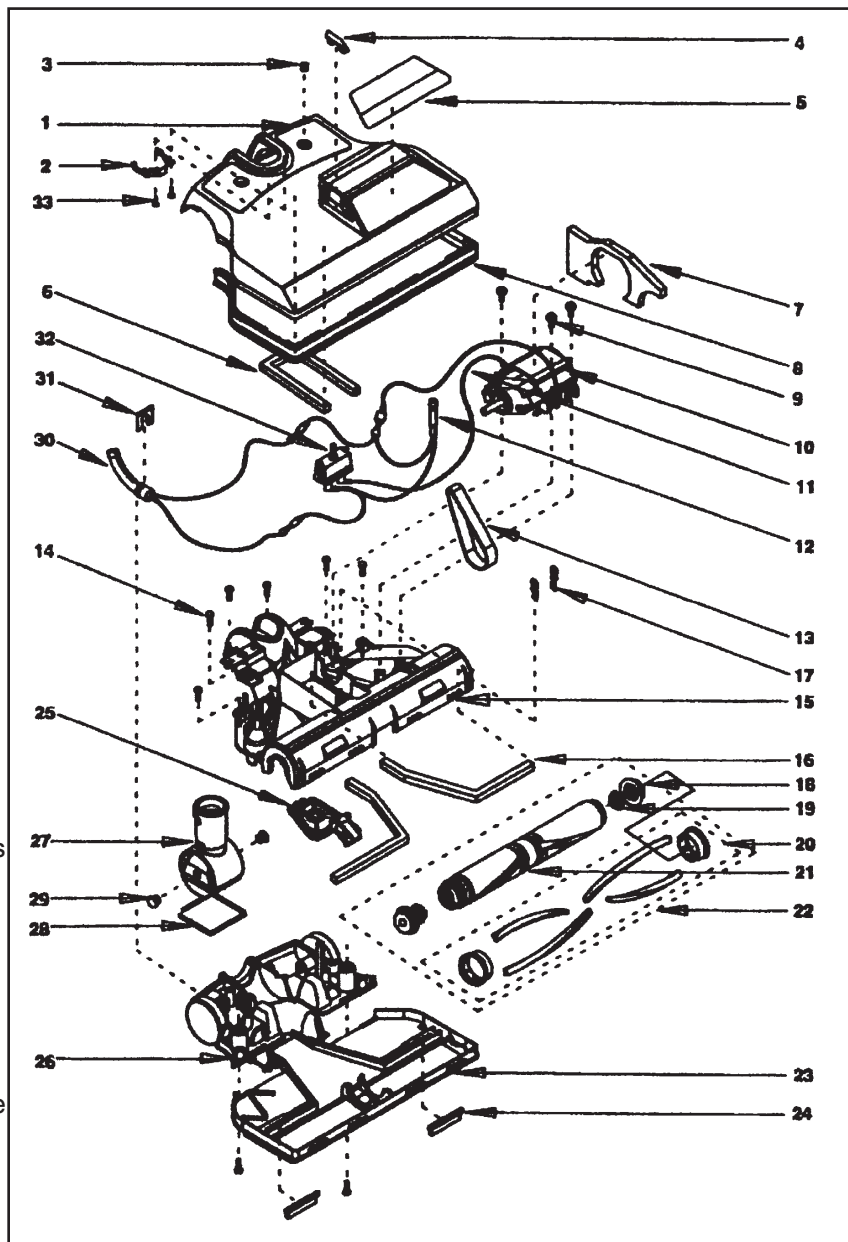
NLA = No Longer Available



REXAIR Original

D4CSE Power Nozzle R-5825 PN2 Without Thumbwheel Performance Edition Beginning Serial No. 6000000

KEY	PART NO.	DESCRIPTION
1	R-6061	Cover Ass'y Complete Includes Items 2 - 6
2	R-5836	Upright Lock Clip
3	R-5659	Pilot Light Lens
4	R-6848	Belt Vent And Viewing Lens
5	R-5837	Applique
6	R-2003	Motor Seal Gasket
7	R-5834	Air Barrier
8	R-5649	Power Nozzle Bumper
9	R-H571	Screw
10	R-5670	Motor Ass'y, Complete Includes Item 11
11	R-5672	Motor Lead Ass'y
12	R-5654	Pilot Light/Harness Ass'y
13	R-1699	Drive Belt
14	R-H556	Screw
15	R-6058	Manifold Ass'y Complete Includes Items 16 - 17
16	R-5833	Airpath Gasket
17	NLA	Belt Guard
18	R-5593	Bearing Retainer
19	R-5592	Bearing Boot
20	R-6063	Thread Guard/Bristle Strip Kit (Includes 2 Thread Guards, 4 Bristle Strips)
21	R-6062	Brushroll with Bearings & Studs
22	R-5590	Brushroll Ass'y Complete
22	R-6575	Brushroll Ass'y Complete, Soft Bristles
23	R-6059	Front Sole Plate Complete Includes Item 24
24	R-5839	Bottom Plate Bristle Strip
25	R-5820	Belt Cover
26	R-6057	Rear Sole Plate Ass'y Complete (Wheels Installed)
27	R-6060	Pivot Arm Ass'y Includes Item 28
28	R-5835	Pivot Arm Gasket
29	R-5652	Clevis Pin
30	R-5653	Power Nozzle Cord Without Collar Around Male Pins
31	R-2605	Strain Relief Support
32	R-8452	Circuit Breaker, 2.5 Amp
33	R-H566	Screw



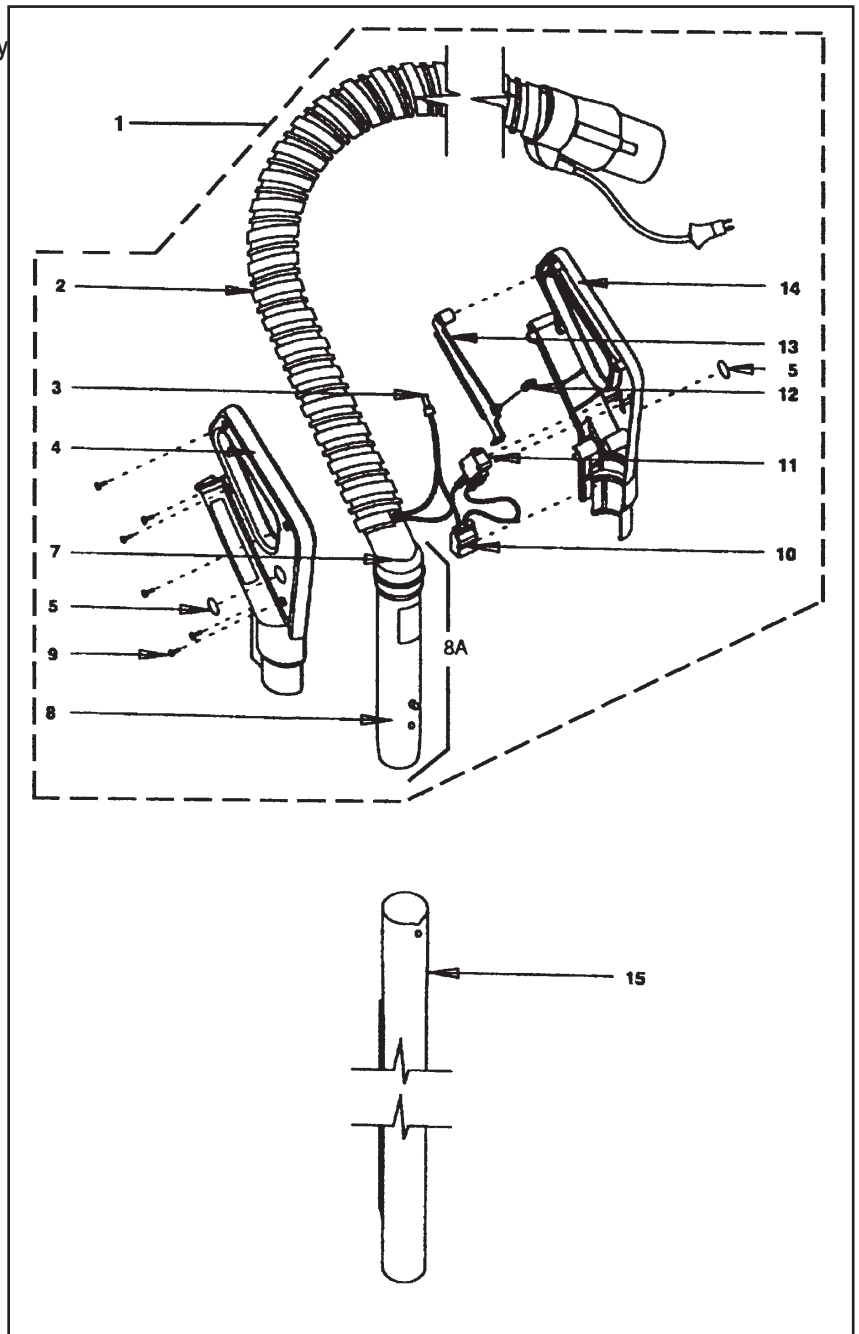
Original REXAIR

D4CSE Power Nozzle R-5825 PN2 Without Thumbwheel Performance Edition Beginning Serial No. 6000000

KEY	PART NO.	DESCRIPTION
1	R-5826	Electrified Hose & Handle Ass'y With Trigger Includes Items 2 - 14
2	R-4090	Electrified Hose Blank
3	R-1775	Closed End Splice
4	NLA	Right Handle Ass'y (Order R-6908)
	R-6908	Right & Left Handle Ass'y
5	NLA	Rexair Logo
7	R-4112	Handle Insert
8	R-5668	Top Handle Wand Ass'y
8A	R-5832	Insert & Wand Ass'y Includes Items 7 - 8
9	R-H566	Screw
10	R-6213	Receptacle
11	R-5295	Hose Handle Switch
12	R-5967	Actuator Spring
13	R-5975	Switch Actuator
14	NLA	Left Handle Ass'y (Order R-6908)
	R-6908	Right & Left Handle Ass'y
15	R-5661	Straight Wand Ass'y
	NLA	Operation Manual
	R-3520*	Cord Guide Replacement Kit

***NOT SHOWN**

NLA = No Longer Available



REXAIR Original

D Series Aquamate Water Extraction Unit & Fluid Control Ass'y Effective Serial No. 300000

KEY	PART NO.	DESCRIPTION
1	R-2269	Front Plate
2	R-3581	AquaMate Head Decal
3	N/A	Extraction Head Ass'y
4	R-2846	Straight Wand Ass'y (Plastic)
	R-5426	Straight Wand Ass'y (Stainless)
5	R-6142	Bottle Latch
6	NLA	Right Housing Ass'y (Order R-6943)
	R-6943	Right And Left Housing Ass'y
7	R-H566	Screw
8	R-6140	Cam Wash/Rinse
9	R-6141	Actuator
10	R-6145	Curved Wand Ass'y
11	R-2340	Trigger
12	R-2428	Trigger Spring
13	R-2571	Valve Control Rod Ass'y
14	R-2400	Fluid Control Ass'y
15	R-2401	Hose Connection O-Ring
16	R-2402	Hose Connection
17	R-2602	Detergent Inlet Tube
18	R-2483	Bottle Fill Tube
19	NLA	Left Housing Ass'y (Order R-6943)
	R-6943	Right And Left Housing Ass'y
20	R-6144	Foam Gasket
21	R-2601	Flow Control
22	R-4620	Solution Bottle Ass'y
23	R-2026	40" Tube
24	NLA	Nozzle Clean-Out Tool
25	R-5398	Plastic Spray Nozzle
	R-2627	Brass Nozzle Support Plate (Up To Serial No. 2843234)
26	R-H491	Screw
27	R-2292	Brush Ass'y
28	R-2080	Long Adapter (Thick) Washer
29	R-2044	Screen Washer
30	R-6138	Stem Nut, Brass
31	R-2040	Tubing Clamp, Metal
32	NLA	50' Hose Ass'y
	R-4619	50' Hose (Included)
33	R-2065	Anti-Drip Washer, Thin Black
34	R-2079	Washer, Short Adapter
35	R-2045	Female Adapter, Double Threaded
36	NLA	Control Network Ass'y Comp
	R-2042	Swivel Stem (White Piece)
	R-6146	Vinyl Closure End Cap

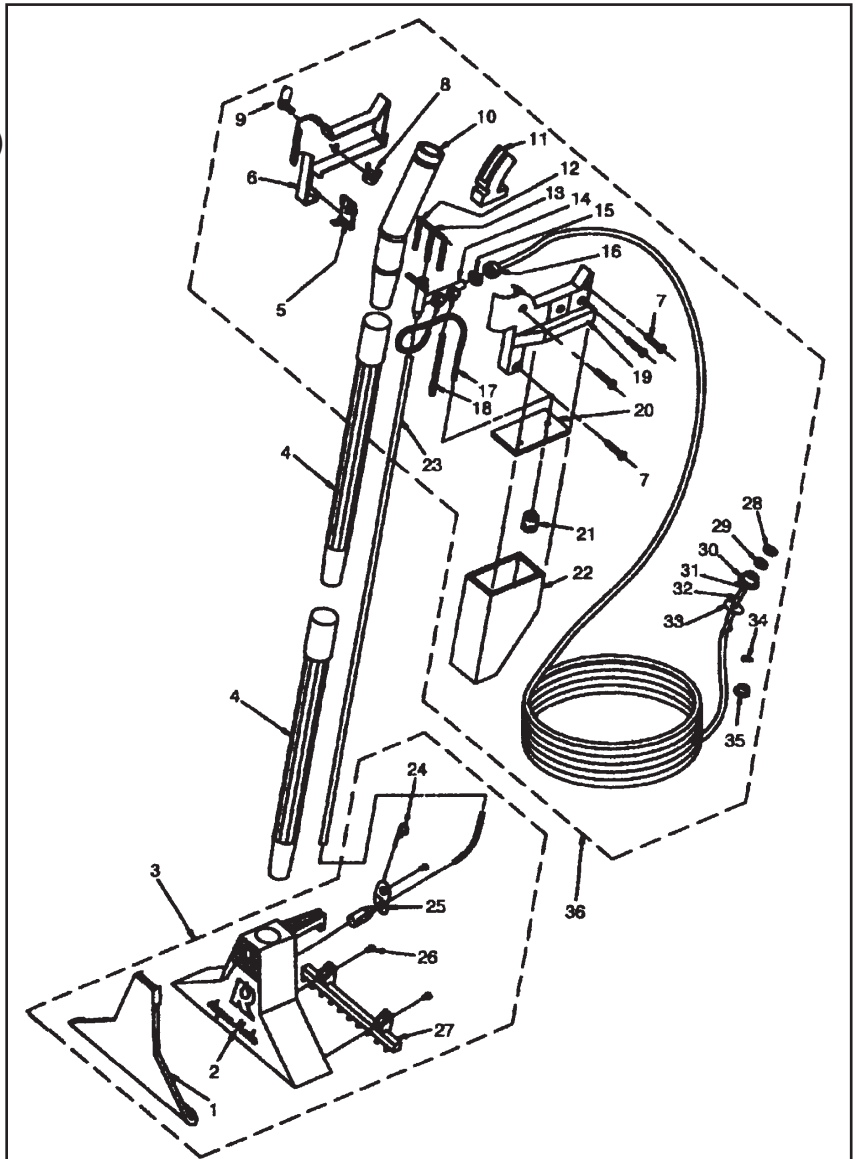


Figure B

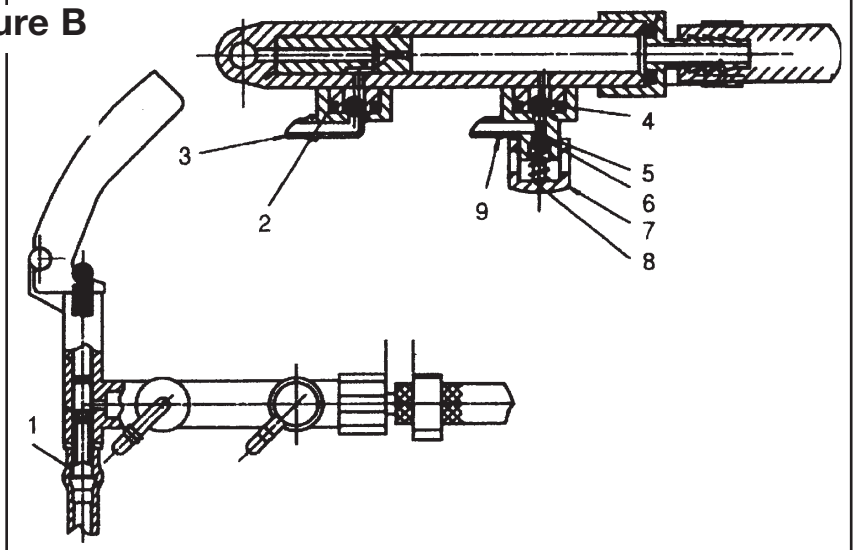


Figure B

1	R-2482	Connector Tube
2	R-2444	O-Ring
3	R-2397	Detergent Cap
4	R-2407	Check Ball
5	R-2409	O-Ring
6	R-2393	Washer O-Ring
7	R-2449	Button Ass'y
8	R-2410	Spring
9	R-2395	Bottle Fill Cap

N/A = Not Available