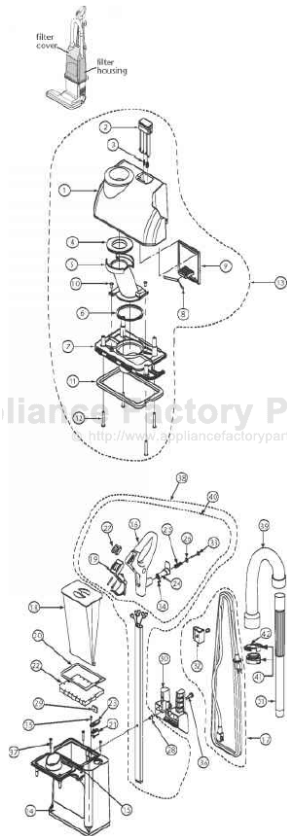


This Owner's Manual is provided and hosted by [Appliance Factory Parts](http://www.appliancefactoryparts.com).



Proteam 15XP Owner's Manual

[Shop genuine replacement parts for Proteam 15XP](#)

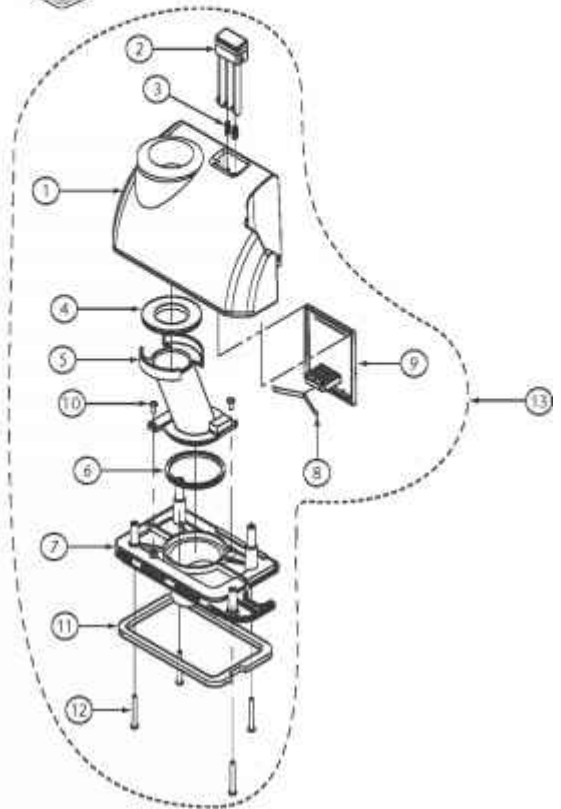


[Find Your Proteam Vacuum Cleaner Parts - Select From 40 Models](#)

----- Manual continues below -----

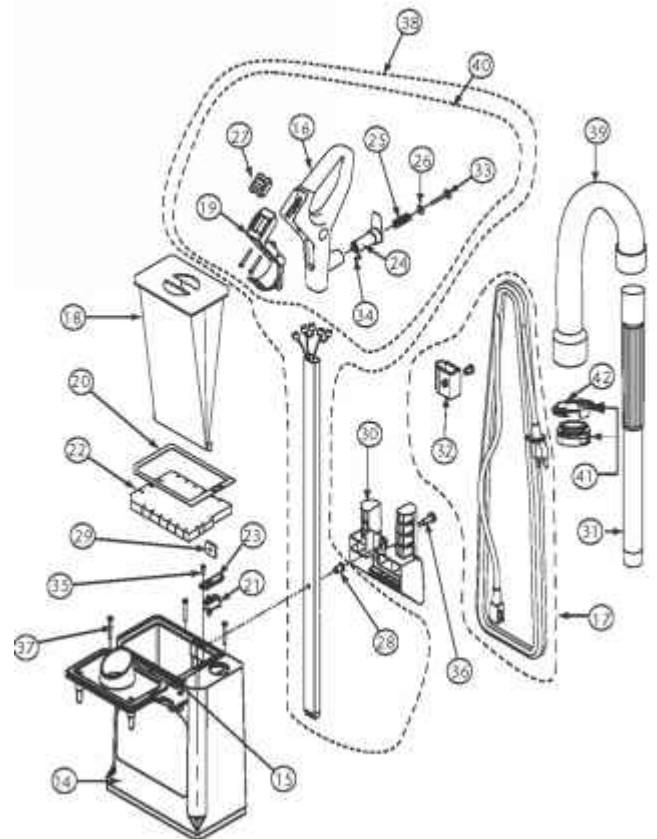
filter cover

ITEM	PART#	DESCRIPTION
1	104234	Cover, Bag Housing, Grey F/XP
2	104232	Latch, Release, Bag Cover
3	104233	Spring, Release Button, F/Bag Cover Latch
4	104235	Seal, Transition Duct/Bag Cover, Upper
5	104236	Duct, Transition, Bag Cover, F/XP
6	104238	Seal, Transition Duct/Bag Cover Nozzle Plate, Lower
7	104239	Plate, Bag Cover Nozzle, F/XP
8	104242	Spring, Bag Cover Latch
9	104243	Plate, Bag Cover Latch
10	104505	Screw, Phillips, 4mm x 9.5mm
11	104241	Gasket, Bag Cover
12	104493	Screw, Phillips, 4mm x 38mm
13	105486	Filter Cover Kit w/Riveted Hinge and 6 Rivets (includes: #1-12)

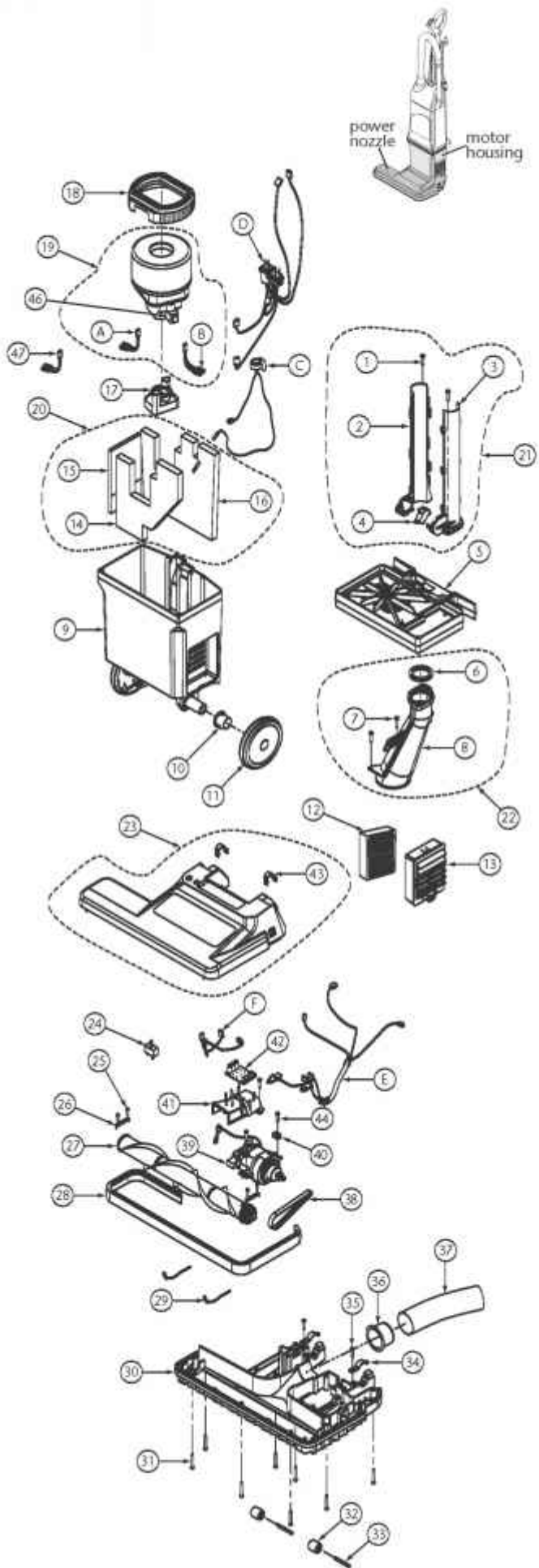


filter housing / handle

ITEM	PART#	DESCRIPTION
14	104983	Bag Housing Assembly, Blue w/Riveted Hinge & Decal Includes Bag Cover Nozzle Plate
15	104491	Rivet F/Bag Housing Assembly
16	104255	Handle w/Over Mold and Decal
17	105034	Cord, Power, w/Strain Relief, 38' Black (includes: #32)
18	103483	Intercept Micro Filter
19	105088	Handle Bezel w/Screws, F/XP
20	104738	Seal, Gasket, Bag Housing
21	104283	Switch, Filter, Lock-Out
22	104281	Filter, Double Layer Motor Intake
23	104282	Cover, Switch, Filter Lock-out
24	104268	Bracket, Cord Wrap
25	104269	Spring, Compression, Cord Wrap Bracket
26	104270	Washer, Compression Spring, Cord Wrap Bracket
27	105147	Switch, Rocker, On/Off
28	104264	Bushing, Handle Tube
29	104259	Plate, Handle Nut
30	104265	Handle, Carry w/Tool Caddy, F/XP
31	104294	Wand, F/XP
32	105095	Clasp, Strain Relief Kit w/Fastener
33	104271	Screw, Cord Wrap, 4mm x 35mm, Phillips Round Head
34	104509	Screw, Phillips, M4 x 10mm x .07 Pitch, F/Handle Assembly
35	105075	Screw, Phillips, 2.9mm x 13mm, F/Switch Cover
36	104266	Screw, Handle Assembly
37	104493	Screw, Phillips, 4mm x 35mm
38	104959	Handle, Tube Assembly Complete, F/XP (includes: #16, 19, 24, 25, 26, 27, 28, 33, 34, 38)
39	104961	Hose, Assembly w/Cuffs, F/XP (includes: #42)
40	105502	Handle Kit (includes: #16, 19, 24, 25, 26, 27, 33, 34)
41	105573	Quick Release Hose Cuff
42	105572	Quick Release Clip



motor housing



ITEM	PART#	DESCRIPTION
1	104209	Screw, Phillips, 4mm x 12mm F/Wand Guide
2	104261	Guide, Wand, Upper Left
3	104260	Guide, Wand, Upper Right
4	104263	Switch, Wand Lockout
5	104245	Bulkhead, Dark Grey
6	104253	Seal, Lower Air Duct , Nitrile
7	104267	Screw, Phillips, 4mm x 19mm F/Lower Air Duct
8	104250	Air Duct
9	104782	Motor Housing, Blue
10	104504	Bearing, Pivot
11	104306	Wheel, Rear
12	105136	Filter, Exhaust, HEPA Media
13	104785	Cover, Filter Cartridge, Blue
14	103532	Foam, Sound, Motor Housing, Front Panel
15	103533	Foam, Sound, Motor Housing, Left Panel
16	103531	Foam, Sound, Motor Housing, Rear Panel
17	104247	Motor Mount, Lower Nitrile
18	104249	Motor Mount, Upper Nitrile
19	104957	Motor Assembly w/Jumpers (includes: A, B)
20	105488	Motor Housing Sound Filter (includes: #14,15,16)
21	105490	Wand Kit (includes: #1, 2, 3, 4)
22	105489	Air Duct Kit (includes: #6, 7, 8)
46	105281	Carbon Brush Set for ProCare Motor
47	105760	Thermal Protector
	105756	Wire Harness Kit includes:
		A. Harness, Jumper, Red
		B. Harness, Jumper, White
		C. Sensor, Bag Full Indicator
		D. Harness, Main Power Supply
		E. Harness, Wire, Power Nozzle
		F. Harness, Power Nozzle Switch

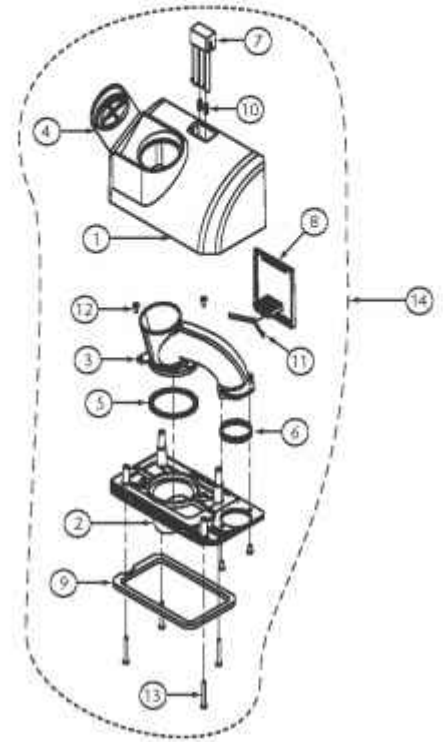
power nozzle

ITEM	PART#	DESCRIPTION
23	104789	Power Nozzle Cover w/Detent Springs & Decal
24	104212	Circuit Breaker
25	104496	Screw, Phillips, 2.9mm x 35mm, F/Brush Retainer
26	104499	Retainer, Brush Roll
27	104216	Brush Roll, Power Nozzle, 14"
28	104218	Bumper, Power Nozzle, Vinyl
29	104500	Brace, Formed Wire, F/Power Nozzle Base
30	104221	Baseplate, Power Nozzle
31	104497	Screw, Phillips, 4mm x 35mm F/Base Cover
32	104501	Roller, Front
33	104502	Shaft, Front Roller Axle
34	104503	Clamp, Rear Wheel
35	104495	Screw, Phillips, 4mm x 19mm F/Powerhead
36	104227	Sleeve, Hose, Air Duct
37	104230	Hose, Power Nozzle to Air Duct, Lower
38	104217	Belt, Drive, F/Brush Roll
39	104506	Motor, Power Nozzle with Crimps
40	104498	Grommet, Vibration, Power Nozzle Motor, Nitrile
41	104224	Cover, Air Duct, Power Nozzle
42	104226	Board, Vacuum Operation Indicator
43	104507	Spring, Detent, Upright Lock
44	105371	Screw, Phillips, 4.2mm x 19mm, F/Power Nozzle Motor

15 parts list

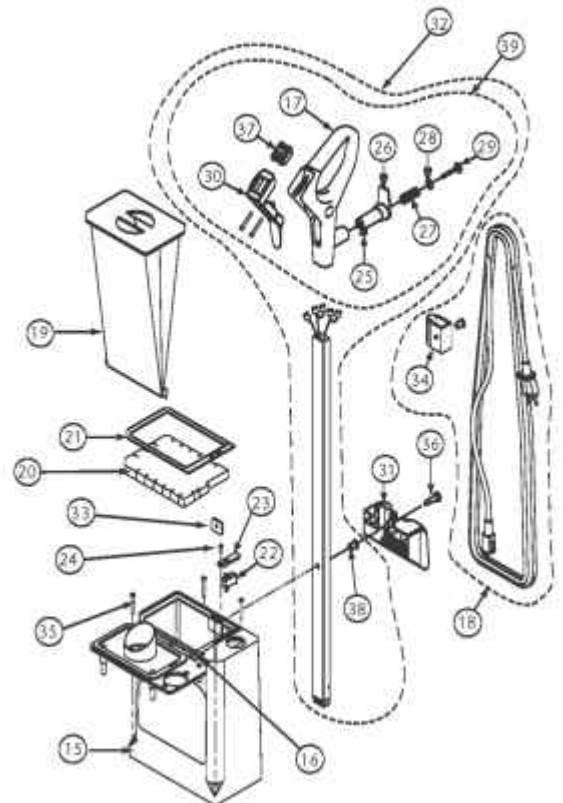
filter cover

ITEM	PART#	DESCRIPTION
1	104569	Cover, Bag Housing, Grey
2	104570	Plate, Bag Cover Nozzle
3	104571	Duct, Crossover, Bag Cover
4	104574	Plug, Access Port
5	104575	Seal, Crossover Duct/Bag Cover Nozzle Plate, Lower
6	104576	Seal, Crossover Duct, Inlet
7	104232	Latch, Release, Bag Cover
8	104243	Flex Plate, Bag Cover Latch
9	104241	Seal, Gasket, Bag Cover
10	104233	Spring, Release Button, F/Bag Cover Latch
11	104242	Spring, Bag Cover Latch
12	104577	Screw, Phillips, 4mm x 9.5mm
13	104493	Screw, Phillips, 4mm x 38mm
14	105491	Filter Cover Kit, w/Riveted Hinge and 6 Rivets (includes: #1-13)

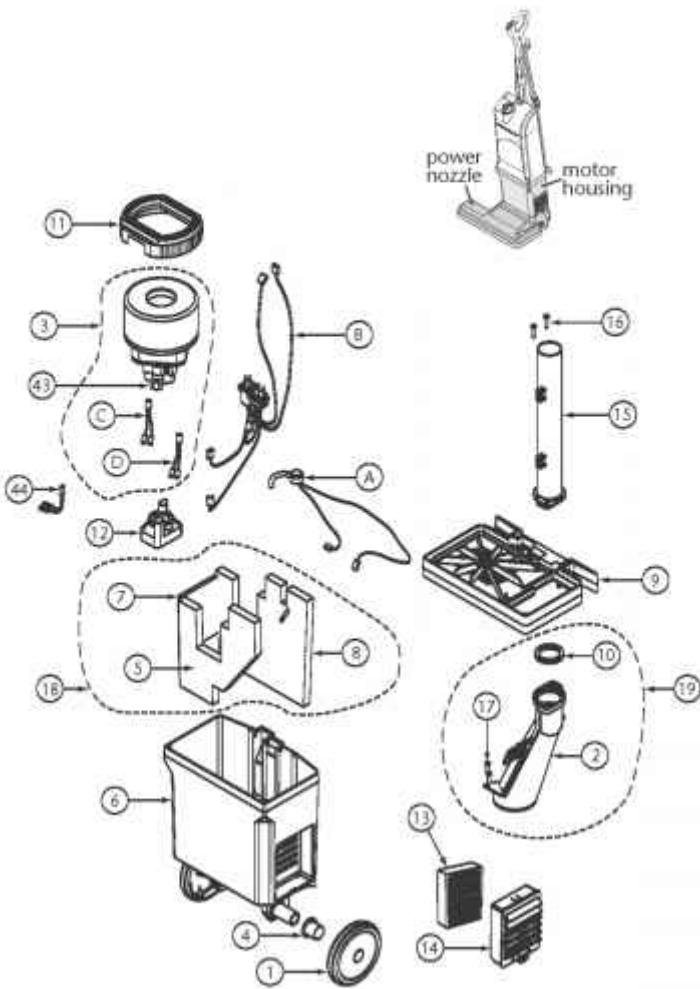


filter housing / handle

ITEM	PART#	DESCRIPTION
15	104989	Bag Housing Assembly, Blue, w/Riveted Hinge and Decal Includes Bag Cover Nozzle Plate
16	104491	Rivet F/Bag Housing Assembly
17	104255	Handle w/Over Mold and Decal
18	105034	Cord, Power Clasp, 38' Black (includes: #34)
19	103483	Intercept Micro Filter
20	104281	Filter, Motor Intake
21	104738	Seal, Gasket, Bag Housing
22	104283	Switch, Filter, Lock-Out
23	104282	Cover, Switch, Filter Lock-out
24	105075	Screw, Phillips, 2.9mm x 13mm, F/Switch Cover
25	104509	Screw, Phillips, F/Handle Assembly M4 x 10mm x .07 Pitch
26	104268	Bracket, Cord Wrap
27	104269	Spring, Compression, Cord Wrap Bracket
28	104270	Washer, Compression Spring, Cord Wrap Bracket
29	104271	Screw, Cord Wrap, 4mm x 35mm Phillips Round Head
30	105090	Handle Bezel w/Screws
31	104741	Handle, Carry
32	105114	Handle, Tube Assembly Complete (includes: #17, 25, 26, 27, 28, 29, 30, 36, 38, 39)
33	104259	Plate, Handle Nut
34	105095	Clasp, Strain Relief
35	104493	Screw, Phillips, 4.2mm x 35mm
36	104266	Screw, Handle Assembly
37	105147	Switch, Rocker, On/Off
38	104264	Bushing, Handle Tube
39	105501	Handle Kit (includes: #17, 25, 26, 27, 28, 29, 30, 38)

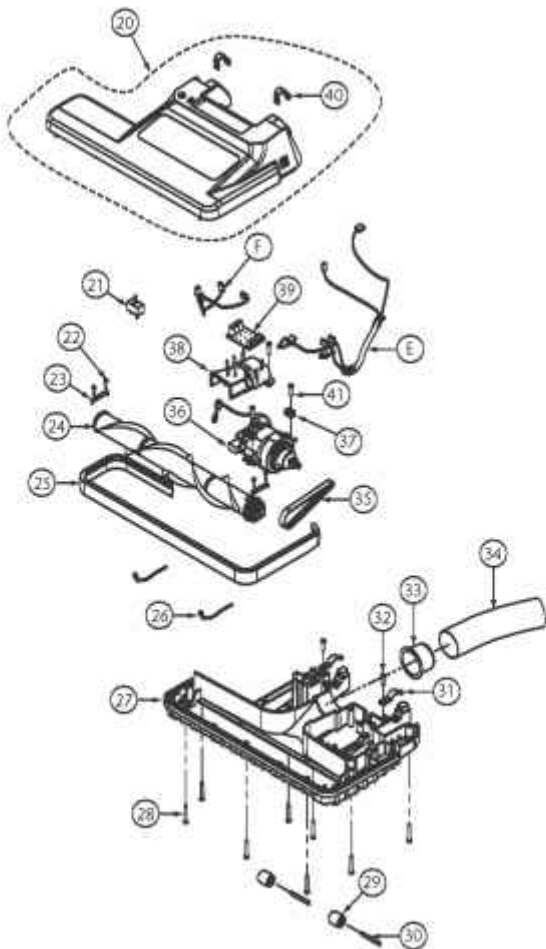


motor housing



ITEM	PART#	DESCRIPTION
1	104306	Wheel, Rear
2	104250	Air Duct
3	104957	Motor Assembly Kit w/Jumpers (includes: C, D)
4	104504	Bearing, Pivot
5	103532	Foam, Sound, Motor Housing Front Panel
6	104782	Motor Housing, Blue
7	103533	Foam, Sound, Motor Housing Left Panel
8	103531	Foam, Sound, Motor Housing Rear Panel
9	104245	Bulkhead, Dark Grey
10	104253	Seal, Lower Air Duct , Nitrile
11	104249	Motor Mount, Upper Nitrile
12	104247	Motor Mount, Lower Nitrile
13	105136	Filter, Exhaust, HEPA Media
14	104785	Cover, Filter Cartridge, Blue
15	104578	Air Duct, Upper ProCare 15
16	104209	Screw, Phillips, 4mm x 12mm, F/Upper Air Duct
17	104267	Screw, Phillips, 4mm x 19mm, F/Lower Air Duct
18	105488	Motor Housing Sound Filter Kit (includes: #5, 7, 8)
19	105489	Air Duct At (includes: #2, 10, 16)
43	105281	Carbon Brush Set for ProCare Motor
44	105760	Thermal Protector
	105757	Wire Harness Kit includes:
		A. Sensor, Bag, Full Indicator
		B. Harness, Wire, Main Power Supply
		C. Harness, Jumper, White
		D. Harness, Jumper, Red
		E. Harness, Wire, Power Nozzle
		F. Harness, Power Nozzle Switch

power nozzle



ITEM	PART#	DESCRIPTION
20	104789	Power Nozzle Cover w/Detent Springs & Decal
21	104212	Circuit Breaker
22	104496	Screw, Phillips, 2.9mm x 13mm, F/Brush Retainer
23	104499	Retainer, Brush Roll
24	104216	Brush Roll, Power Nozzle, 14"
25	104218	Bumper, Power Nozzle, Vinyl
26	104500	Brace, Formed Wire, F/Power Nozzle Base
27	104221	Baseplate, Power Nozzle
28	104497	Screw, Phillips, 4mm x 35mm F/Base Cover
29	104501	Roller, Front
30	104502	Shaft, Front Roller Axle
31	104503	Clamp, Rear Wheel
32	104495	Screw, Phillips, 4mm x 19mm, F/Powerhead
33	104227	Sleeve, Hose, Air Duct
34	104230	Hose, Power Nozzle to Air Duct, Lower
35	104217	Belt, Drive, F/Brush Roll
36	104506	Motor, Power Nozzle with Crimps
37	104498	Grommet, Vibration, Power Nozzle Motor, Nitrile
38	104224	Cover, Air Duct, Power Nozzle
39	104226	Board, Vacuum Operation Indicator
40	104507	Spring, Detent, Upright Lock
41	105371	Screw, Phillips, 4.2mm x 19mm, F/Power Nozzle Motor