

This Owner's Manual is provided and hosted by [Appliance Factory Parts](#).



LG LMCN185HV Owner's Manual

[Shop genuine replacement parts for LG LMCN185HV](#)



[Find Your LG Air Conditioner Parts - Select From 2330 Models](#)

----- Manual continues below part list -----

Available Replacement Parts for LG LMCN185HV

[4681A20168B](#)

Motor Assembly,dc,indoor



Internal Use Only

<http://biz.lgservice.com>

Multi Air Conditioner

SVC MANUAL(Exploded View)

**MODEL : AMNW07GTRA0(LMCN077HV)
AMNW09GTRA0(LMCN097HV)
AMNW12GTRA0(LMCN125HV)
AMNW18GTQA0(LMCN185HV)**

CAUTION

Before Servicing the unit, read the safety precautions in General SVC manual.
Only for authorized service personnel.

1. Specification

| Indoor unit type | | | Ceiling Cassette - 4way | |
|------------------------------|-------------------------------|--------------|--|--|
| Model | | | AMNW07GTRA0[LMCN077HV] | AMNW09GTRA0[LMCN097HV] |
| Decoration Panel Name | | | PT-UQC | PT-UQC |
| Power Supply | | V, Ø, Hz | 208/230, 1, 60 | 208/230, 1, 60 |
| Capacity(*) | | Btu/h class | 7,000 | 9,000 |
| Current | Running Current | A | 0.25 | 0.25 |
| Fan | Motor Type | | BLDC | BLDC |
| | Fan Type | | Turbo Fan | Turbo Fan |
| | Motor Output(W) x No. of Unit | | 43 x 1 | 43 x 1 |
| | Air Flow Rate (H / M / L) | CMM | 7.5 / 6.0 / 5.0 | 8.5 / 7.0 / 6.0 |
| | | CFM | 265 / 212 / 177 | 300 / 265 / 230 |
| | External Static Pressure | mmAq | - | - |
| | Capacitor | µF / Vac | - | - |
| Drive | | Direct Drive | Direct Drive | |
| Coil | Row x Column x FPI | | 1R x 8C x 18 | 2R x 8C x 18 |
| Dimensions (W x H x D) | Body | mm(inch) | 570 x 214 x 570 (22-7/16 x 8-7/16 x 22-7/16) | 570 x 214 x 570 (22-7/16 x 8-7/16 x 22-7/16) |
| | Decorative Panel | mm(inch) | 700 x 22 x 700 (27-9/16 x 7/8 x 27-9/16) | 700 x 22 x 700 (27-9/16 x 7/8 x 27-9/16) |
| Net Weight | Body | kg (lbs) | 14.0 (30.9) | 14.0 (30.9) |
| | Decorative Panel | kg (lbs) | 3.0 (6.6) | 3.0 (6.6) |
| Sound Level (H / M / L) | | dB(A)+3 | 31 / 27 / 24 | 36 / 33 / 30 |
| Piping | Liquid | mm (inch) | 6.35 (1/4) | 6.35 (1/4) |
| Connections | Gas | mm (inch) | 9.52 (3/8) | 9.52 (3/5) |
| | Drain(OD/ID) | mm(inch) | 32.0(1-1/4) / 25.0(1) | 32.0(1-1/4) / 25.0(1) |
| Safety Devices | | | Fuse, thermal protector for fan motor | Fuse, thermal protector for fan motor |
| Refrigerant | | | R410A | R410A |
| Refrigerant Control | | | EEV(in Outdoor unit) | EEV(in Outdoor unit) |
| Transmission Interunit Cable | | No. x AWG | 4C x 18 | 4C x 18 |

Note:

- Capacities are based on the following conditions:
 - Cooling: - Indoor Temperature 26.7°C(80°F) DB/19.4°C(67°F)
 - Outdoor Temperature 35°C(95°F) DB/23.9°C(75°F)
 - Heating: - Indoor Temperature 21.1°C(70°F) DB/15.6°C(60°F) WB
 - Outdoor Temperature 8.3°C(47°F) DB/6.1°C(43°F) WB
 - Piping Length - Interconnecting Piping Length 7.5m(24.6 ft.)
 - Level Difference of Zero
- Wiring cable size must comply with the applicable local and national code.
- The specification may be subject to change without prior notice for purpose of improvement.
- For more Capacity(*), refer to the combination table

| Conversion Formula |
|------------------------------|
| kW = Btu/h class X 0.0002931 |
| cfm = CMM x 35.3 |

| Indoor unit type | | | Ceiling Cassette - 4way | |
|------------------------------|-------------------------------|--------------|--|---|
| Model | | | AMNW12GTQA0[LMCN125HV] | AMNW18GTQA0[LMCN185HV] |
| Decoration Panel Name | | | PT-UQC | PT-UQC |
| Power Supply | | V, Ø, Hz | 208/230, 1, 60 | 208/230, 1, 60 |
| Capacity(*) | | Btu/h class | 12,000 | 18,000 |
| Current | Running Current | A | 0.25 | 0.25 |
| Fan | Motor Type | | BLDC | BLDC |
| | Fan Type | | Turbo Fan | Turbo Fan |
| | Motor Output(W) x No. of Unit | | 43 x 1 | 43 x 1 |
| | Air Flow Rate (H / M / L) | CMM | 9.5 / 8.0 / 7.0 | 13.0 / 12.0 / 11.0 |
| | | CFM | 335 / 283 / 247 | 459 / 424 / 388 |
| | External Static Pressure | mmAq | - | - |
| | Capacitor | µF / Vac | - | - |
| Drive | | Direct Drive | Direct Drive | |
| Coil | Row x Column x FPI | | 2R x 8C x 18 | 2R x 10C x 18 |
| Dimensions (W x H x D) | Body | mm(inch) | 570 x 214 x 570 (22-7/16 x 8-7/16 x 22-7/16) | 570 x 256 x 570 (22-7/16 x 10-3/32 x 22-7/16) |
| | Decorative Panel | mm(inch) | 700 x 22 x 700 (27-9/16 x 7/8 x 27-9/16) | 700 x 22 x 700 (27-9/16 x 7/8 x 27-9/16) |
| Net Weight | Body | kg (lbs) | 14.0 (30.9) | 15.0 (33.1) |
| | Decorative Panel | kg (lbs) | 3.0 (6.6) | 3.0 (6.6) |
| Sound Level (H / M / L) | | dB(A)+3 | 38/ 35/ 32 | 38/ 37/ 34 |
| Piping | Liquid | mm (inch) | 6.35 (1/4) | 6.35 (1/4) |
| Connections | Gas | mm (inch) | 9.52 (3/8) | 12.7 (1/2) |
| | Drain(OD/ID) | mm(inch) | 32.0(1-1/4) / 25.0(1) | 32.0(1-1/4) / 25.0(1) |
| Safety Devices | | | Fuse, thermal protector for fan motor | Fuse, thermal protector for fan motor |
| Refrigerant | | | R410A | R410A |
| Refrigerant Control | | | EEV(in Outdoor unit) | EEV(in Outdoor unit) |
| Transmission Interunit Cable | | No. x AWG | 4C x 18 | 4C x 18 |

Note:

1. Capacities are based on the following conditions:

- Cooling: - Indoor Temperature 26.7°C(80°F) DB/19.4°C(67°F)
- Outdoor Temperature 35°C(95°F) DB/23.9°C(75°F)
- Heating: - Indoor Temperature 21.1°C(70°F) DB/15.6°C(60°F) WB
- Outdoor Temperature 8.3°C(47°F) DB/6.1°C(43°F) WB
- Piping Length - Interconnecting Piping Length 7.5m(24.6 ft.)
- Level Difference of Zero

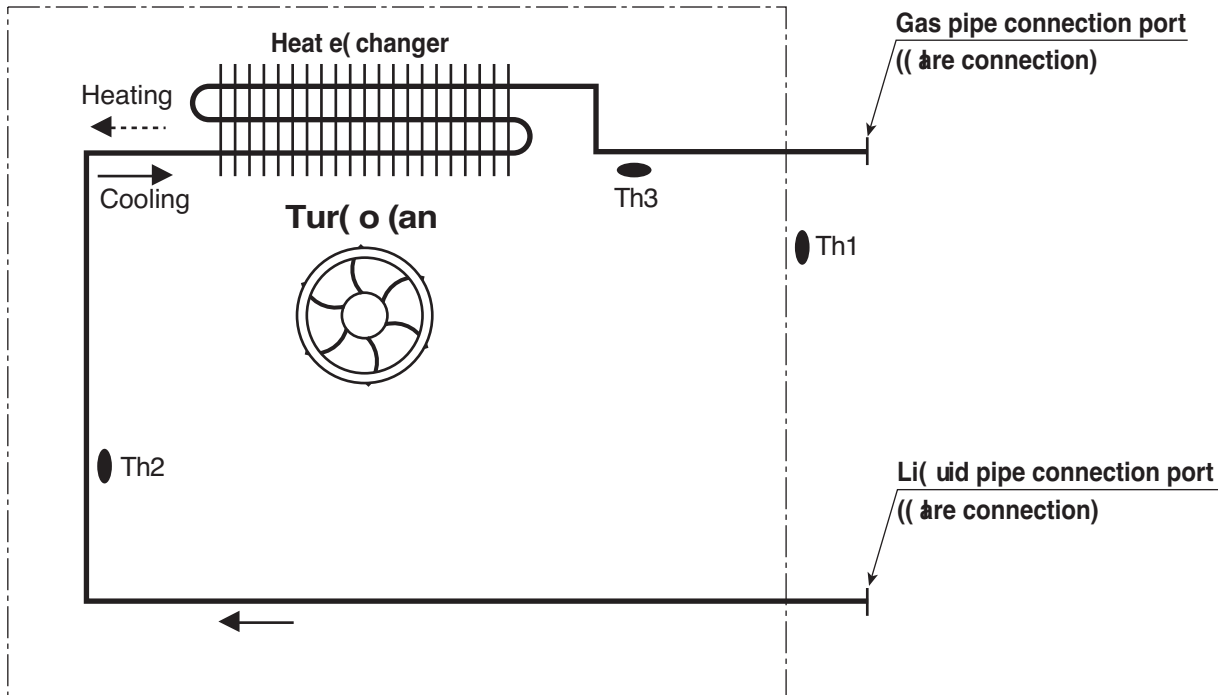
2. Wiring cable size must comply with the applicable local and national code.

3. The specification may be subject to change without prior notice for purpose of improvement.

4. For more Capacity(*),refer to the combination table

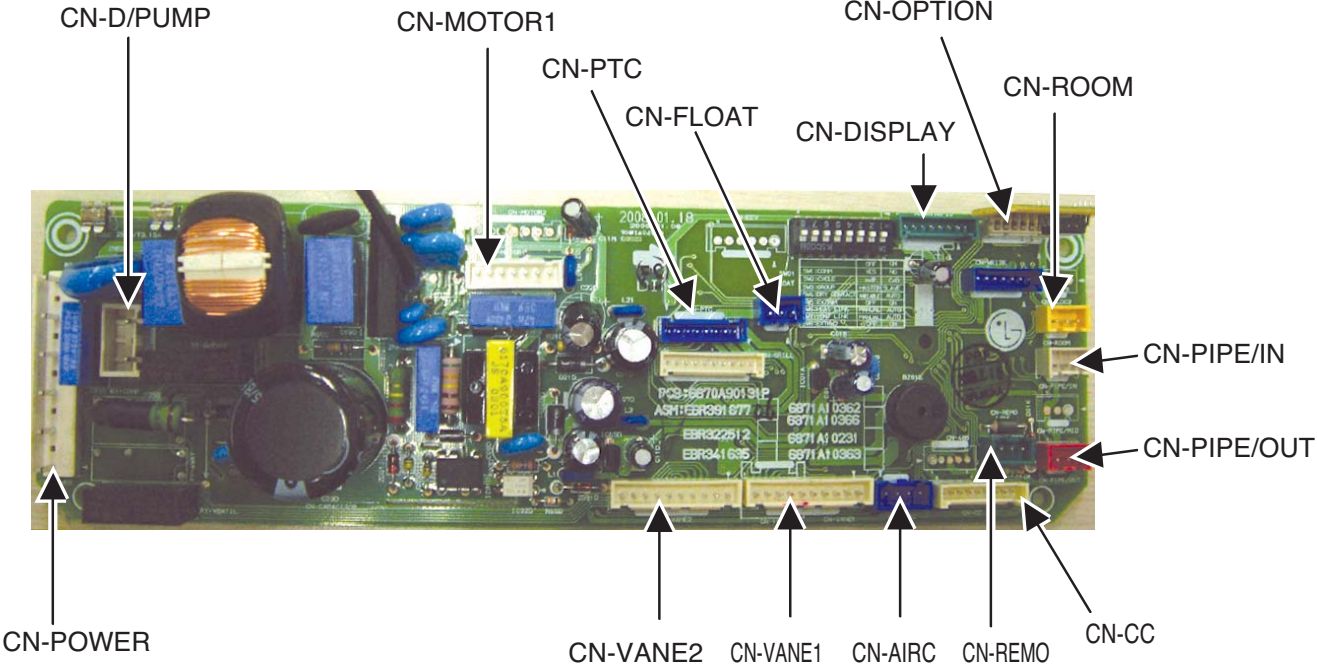
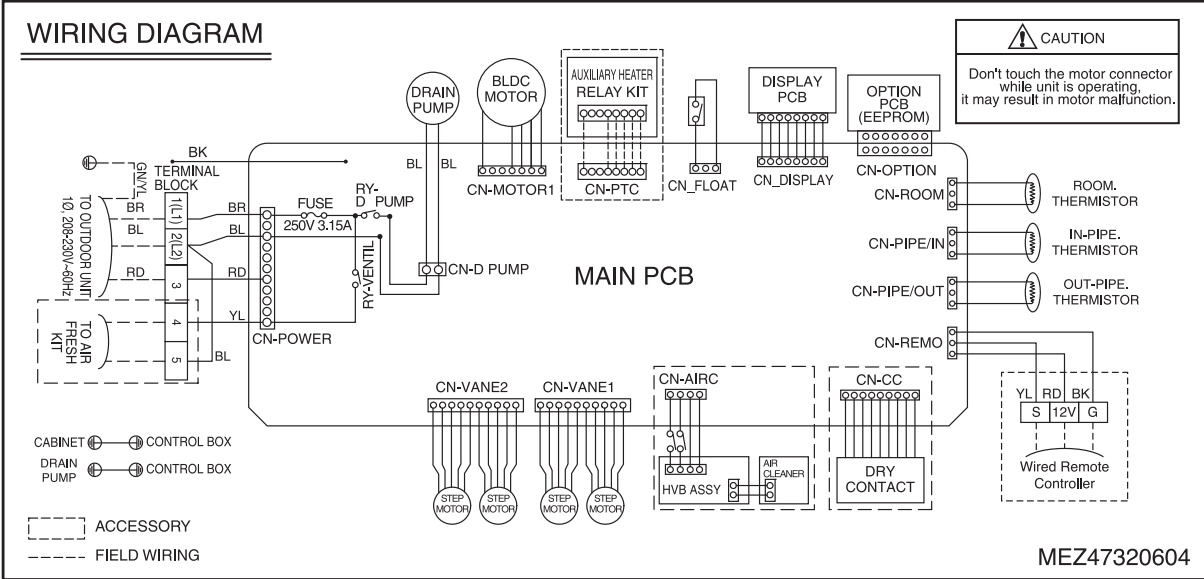
| Conversion Formula |
|------------------------------|
| kW = Btu/h class X 0.0002931 |
| cfm = CMM x 35.3 |

2. Piping Diagrams



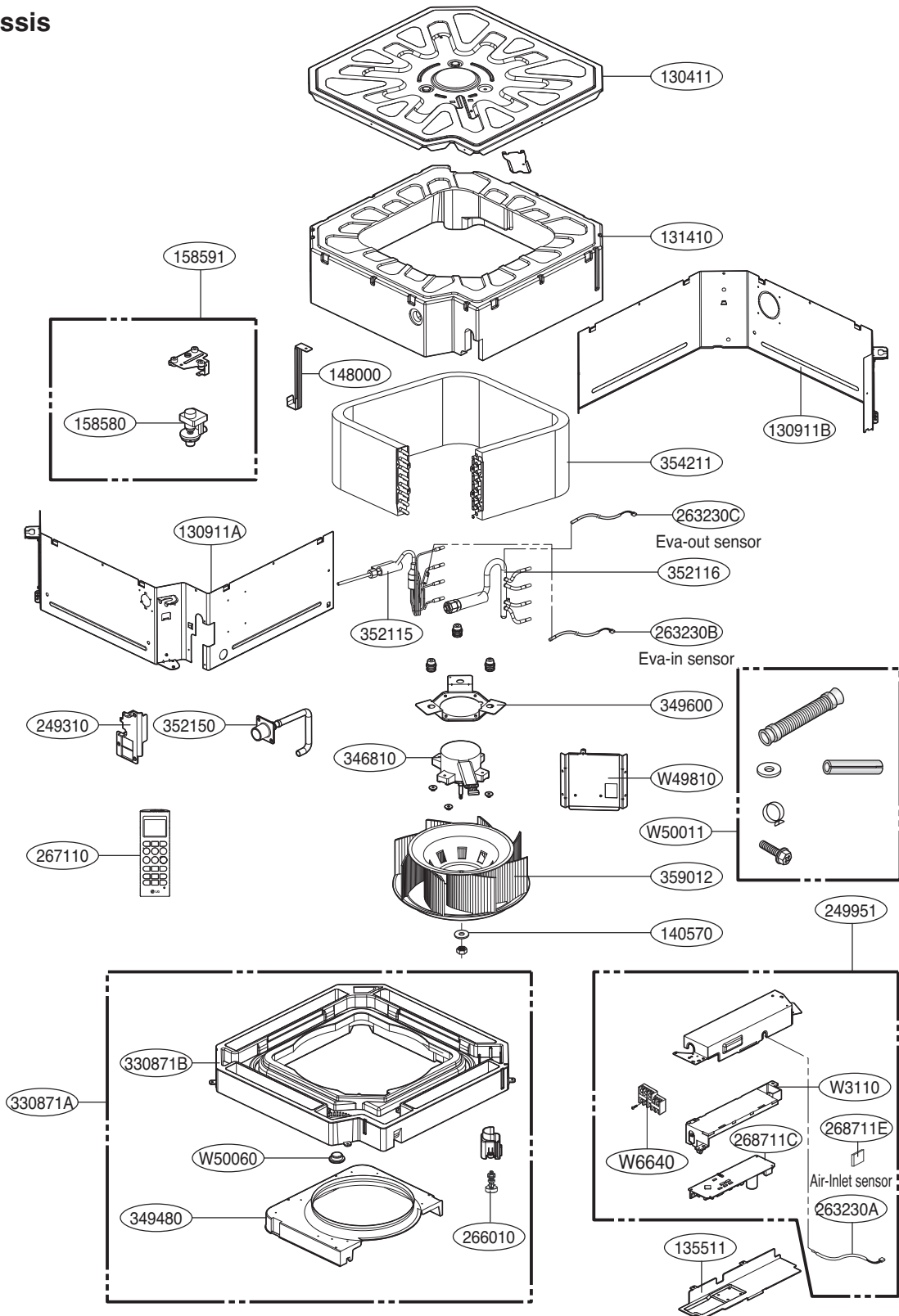
| LOC. | Description | PCB Connector |
|------|--|---------------|
| Th1 | Thermistor for suction air temperature | CN_ROOM |
| Th2 | Thermistor for evaporator inlet temperature | CN_PIPE/IN |
| Th3 | Thermistor for evaporator outlet temperature | CN_PIPE/OUT |

3. Wiring Diagrams



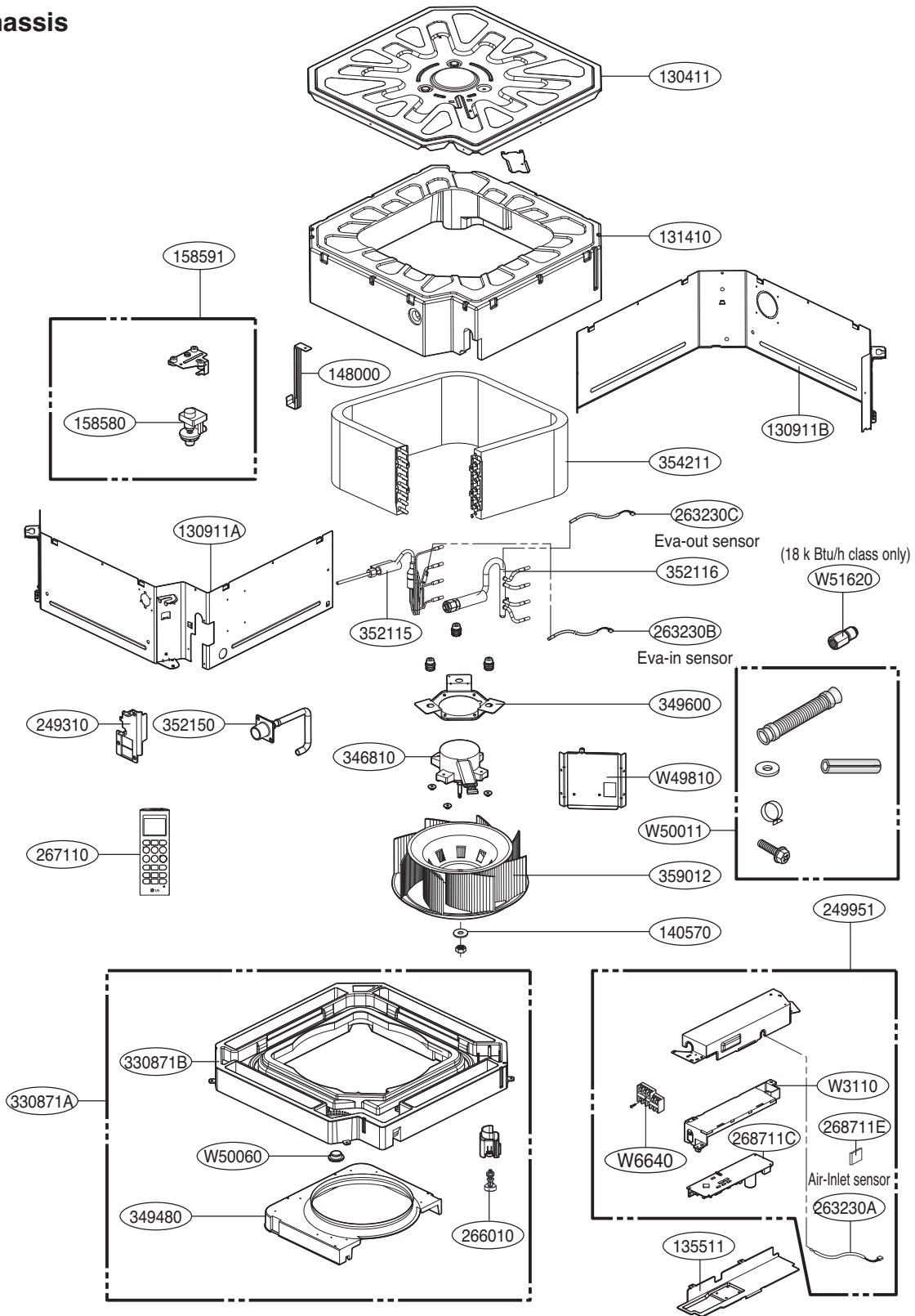
4. Exploded View

• TR Chassis



Note) * Please ensure GCSC since the replacement parts may be changed depending upon the buyer's request.
Please check the correct parts in View RPL(Replacement Part List) on GCSC.
(GCSC Website <http://biz.Lgservice.com>.)

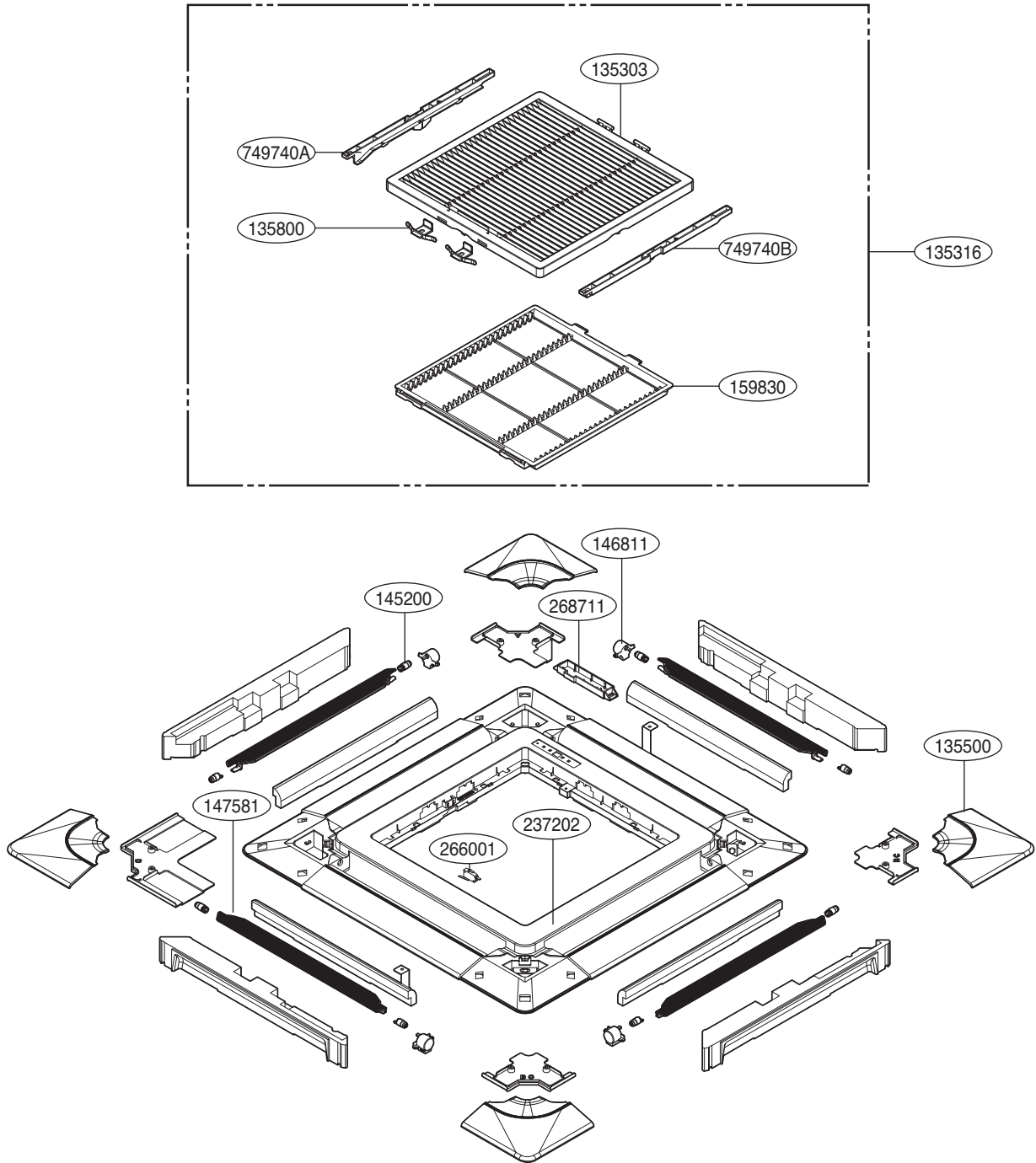
• TQ Chassis



Note) * Please ensure GCSC since the replacement parts may be changed depending upon the buyer's request.
 Please check the correct parts in View RPL(Replacement Part List) on GCSC.
 (GCSC Website <http://biz.Lgservice.com>.)

Front Panel (Accessory)

• Model : PT-UQC



Note) * Please ensure GCSC since the replacement parts may be changed depending upon the buyer's request.
Please check the correct parts in View RPL(Replacement Part List) on GCSC.
(GCSC Website <http://biz.Lgservice.com>.)



P/NO : MFL61777609

JANUARY, 2014