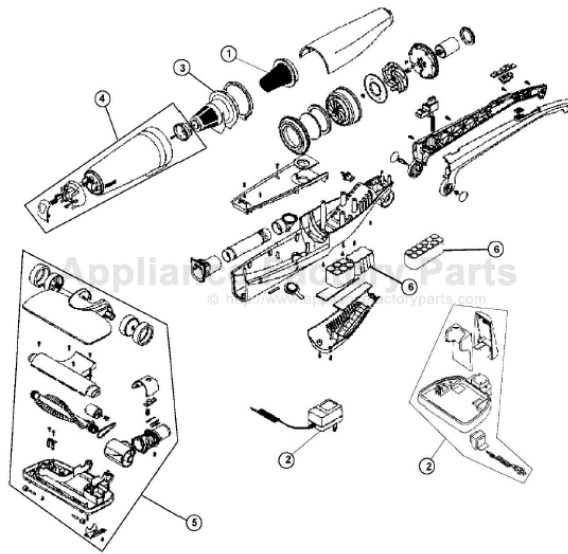


This Owner's Manual is provided and hosted by [Appliance Factory Parts](#).



Royal 083243 Owner's Manual

[Shop genuine replacement parts for Royal 083243](#)



[Find Your Royal Vacuum Cleaner Parts - Select From 772 Models](#)

----- Manual continues below -----



VIBE
Cordless Stick Vac

EXTREME
POWER

Quick
POWER
SPIN LUSK & HEAT

QUICK
POWER

PLATINUM
FORCE

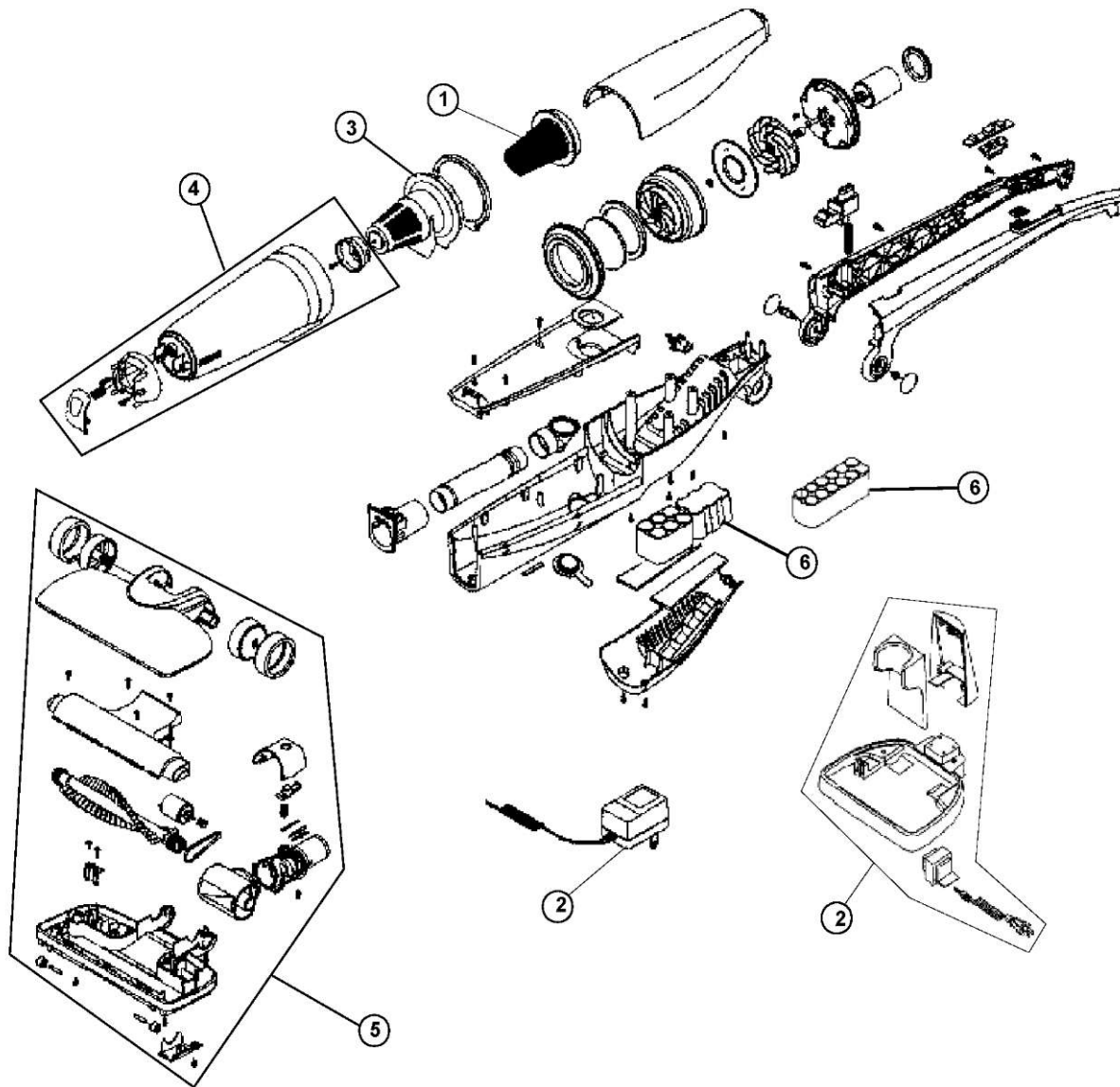
ACCU
CHARGE
TECHNOLOGY

DIRECT POWER
all surfaces

ASSEMBLY SCHEMATIC

MODEL NO.

083408
083414
083415VX
083423
083424
083472
083472F
BD20035^{RED}
BD20040^{RED}
HDS400





| Item | Part Number | Model's To Fit | Part Description |
|------|-------------|---|---|
| 1 | 3SI0880001 | ALL | F-18 FILTER ASSEMBLY |
| 2 | 2SI3990000 | 083408 | 10.2 CHARGER ASSEMBLY PRIOR TO MFG CODE E08 |
| | 2DS0990000 | 083408 | 10.2 CHARGER ASSEMBLY ENERGY STAR AFTER MFG CODE D09 |
| | | 083408 | 10.2 CHARGER ASSEMBLY bETwEE n MFG CODE E08 / D09 DETERMinED IF unIT Is sTATED wITh ENERGY STAR OR NOT |
| | 2SI0341000 | 083414, 083415VX, BD20040, HDS400 | 14.4 CHARGER ASSEMBLY |
| | 2SY5990000 | 083423, 083424, BD20035 | 15.6 CHARGER ASSEMBLY |
| | 2SI0347000 | 083472 | 7.2 CHARGER ASSEMBLY |
| | 2SI0992000 | 083472F - SEE NOTES | 7.2 CHARGER ASSEMBLY |
| 3 | 1SI0880000 | ALL | FILTER ADAPTOR |
| 4 | 2SI0200000 | 083414,083415VX WILL FIT ALL | DIRT CUP ASSEMBLY - CLEAR BLUE WITH SILVER ACCENT |
| | 2SY8452000 | 083423, 083424, BD20035 WILL FIT ALL | DIRT CUP ASSEMBLY - SMOKE WITH GLACIER BLUE ACCENT |
| 5 | | 083408 | NOZZLE ASSEMBLY - RED |
| | 2SI0034100 | 083414, BD20040, HDS400 | NOZZLE ASSEMBLY - SILVER 14.4 |
| | | 083415VX | NOZZLE ASSEMBLY - BLUE |
| | 2SY8342000 | 083423 | NOZZLE ASSEMBLY |
| | 2SY8423000 | 083424, BD20035 | NOZZLE ASSEMBLY-GLACIER BLUE |
| | 2SI0201000 | 083472 | NOZZLE ASSEMBLY - RED 7.2 |
| | | 083472F | NOZZLE ASSEMBLY - RED |
| 6 | | 083408 | BATTERY ASSEMBLY |
| | 2SI8341000 | 083414, 083415VX, BD20040, HDS400 | BATTERY ASSEMBLY |
| | | 083423, 083424, BD20035 | BATTERY ASSEMBLY |
| | 2SI8347000 | 083472, 083472F | BATTERY ASSEMBLY |

MODEL NO.

083408

083414

083415VX

083423

083424

083472

083472F

BD20035^{RED}

BD20040^{RED}

HDS400

***NOTE:** THE **083472F** WAS A SPECIAL MADE BONUS UNIT. THE CHARGER IS NOT AVAILABLE FOR THIS UNIT.

IF A CHARGER IS IN NEED OF A WARRANTY REPLACEMENT, YOU WILL NEED TO ORDER A COMPLETE REPLACEMENT UNIT OF **083472** AS THERE ARE NO SERVICE PARTS AVAILABLE FOR THE **083472F**.

THE **083472** CHARGER OF **2SI0347000** WILL NOT INTERCHANGE.