

This Owner's Manual is provided and hosted by [Appliance Factory Parts](#).



Royal 083408 Owner's Manual

[Shop genuine replacement parts for Royal 083408](#)



[Find Your Royal Vacuum Cleaner Parts - Select From 772 Models](#)

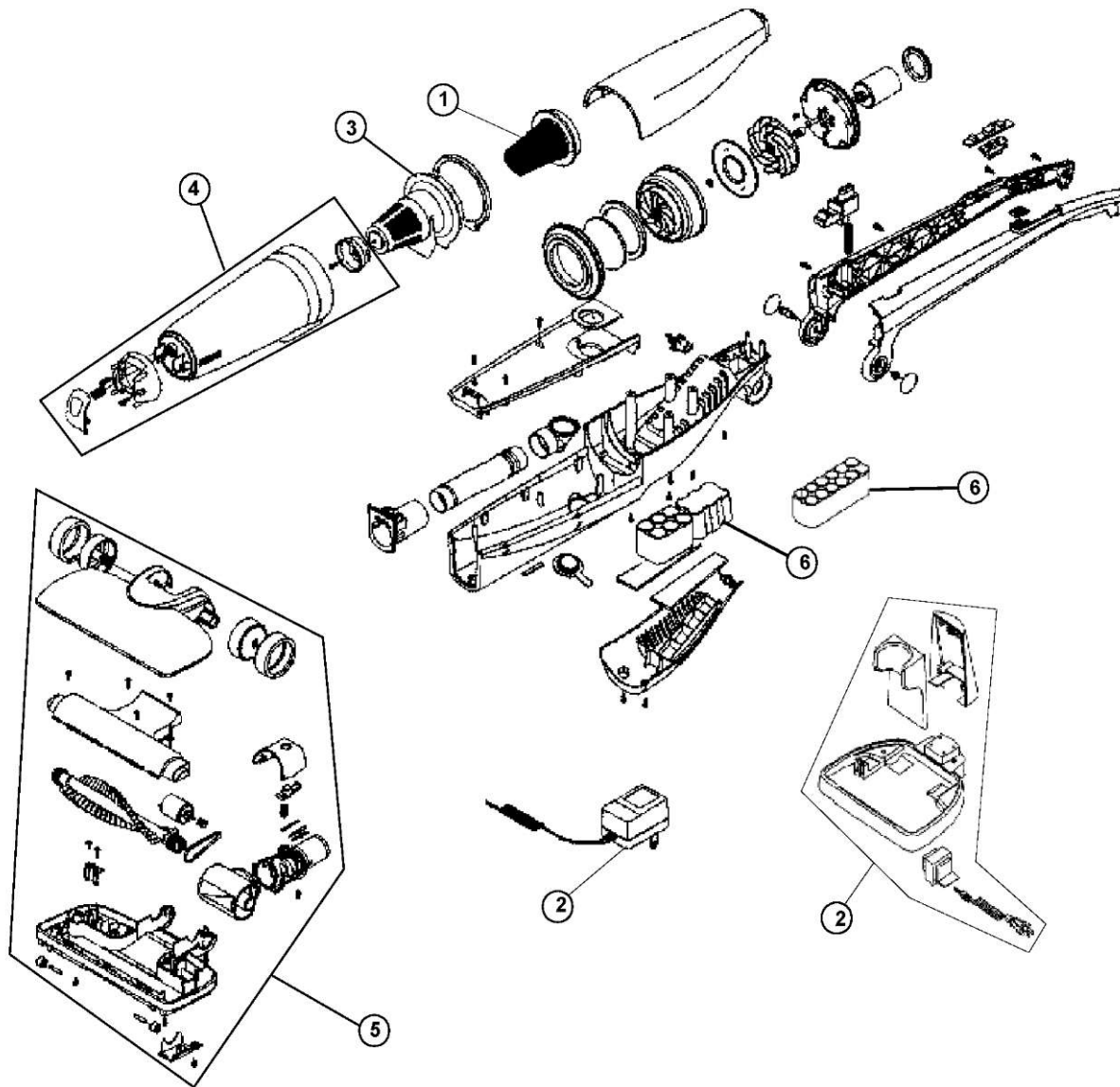
----- Manual continues below -----



ASSEMBLY SCHEMATIC

MODEL NO.

- 083408
- 083414
- 083415VX
- 083423
- 083424
- 083472
- 083472F
- BD20035_{RED}
- BD20040_{RED}
- HDS400





Item	Part Number	Model's To Fit	Part Description
1	3SI0880001	ALL	F-18 FILTER ASSEMBLY
2	2SI3990000	083408	10.2 CHARGER ASSEMBLY PRIOR TO MFG CODE E08
	2DS0990000	083408	10.2 CHARGER ASSEMBLY ENERGY STAR AFTER MFG CODE D09
		083408	10.2 CHARGER ASSEMBLY bETwEE n MFG CODE E08 / D09 DETERMInED IF unIT Is sTATED wITh ENERGY STAR OR NOT
	2SI0341000	083414, 083415VX, BD20040, HDS400	14.4 CHARGER ASSEMBLY
	2SY5990000	083423, 083424, BD20035	15.6 CHARGER ASSEMBLY
	2SI0347000	083472	7.2 CHARGER ASSEMBLY
	2SI0992000	083472F - SEE NOTES	7.2 CHARGER ASSEMBLY
3	1SI0880000	ALL	FILTER ADAPTOR
4	2SI0200000	083414,083415VX WILL FIT ALL	DIRT CUP ASSEMBLY - CLEAR BLUE WITH SILVER ACCENT
	2SY8452000	083423, 083424, BD20035 WILL FIT ALL	DIRT CUP ASSEMBLY - SMOKE WITH GLACIER BLUE ACCENT
5		083408	NOZZLE ASSEMBLY - RED
	2SI0034100	083414, BD20040, HDS400	NOZZLE ASSEMBLY - SILVER 14.4
		083415VX	NOZZLE ASSEMBLY - BLUE
	2SY8342000	083423	NOZZLE ASSEMBLY
	2SY8423000	083424, BD20035	NOZZLE ASSEMBLY-GLACIER BLUE
	2SI0201000	083472	NOZZLE ASSEMBLY - RED 7.2
		083472F	NOZZLE ASSEMBLY - RED
6		083408	BATTERY ASSEMBLY
	2SI8341000	083414, 083415VX, BD20040, HDS400	BATTERY ASSEMBLY
		083423, 083424, BD20035	BATTERY ASSEMBLY
	2SI8347000	083472, 083472F	BATTERY ASSEMBLY

MODEL NO.

083408

083414

083415VX

083423

083424

083472

083472F

BD20035_{RED}

BD20040_{RED}

HDS400

***NOTE:** THE **083472F** WAS A SPECIAL MADE BONUS UNIT. THE CHARGER IS NOT AVAILABLE FOR THIS UNIT.

IF A CHARGER IS IN NEED OF A WARRANTY REPLACEMENT, YOU WILL NEED TO ORDER A COMPLETE REPLACEMENT UNIT OF **083472** AS THERE ARE NO SERVICE PARTS AVAILABLE FOR THE **083472F**.

THE **083472** CHARGER OF **2SI0347000** WILL NOT INTERCHANGE.