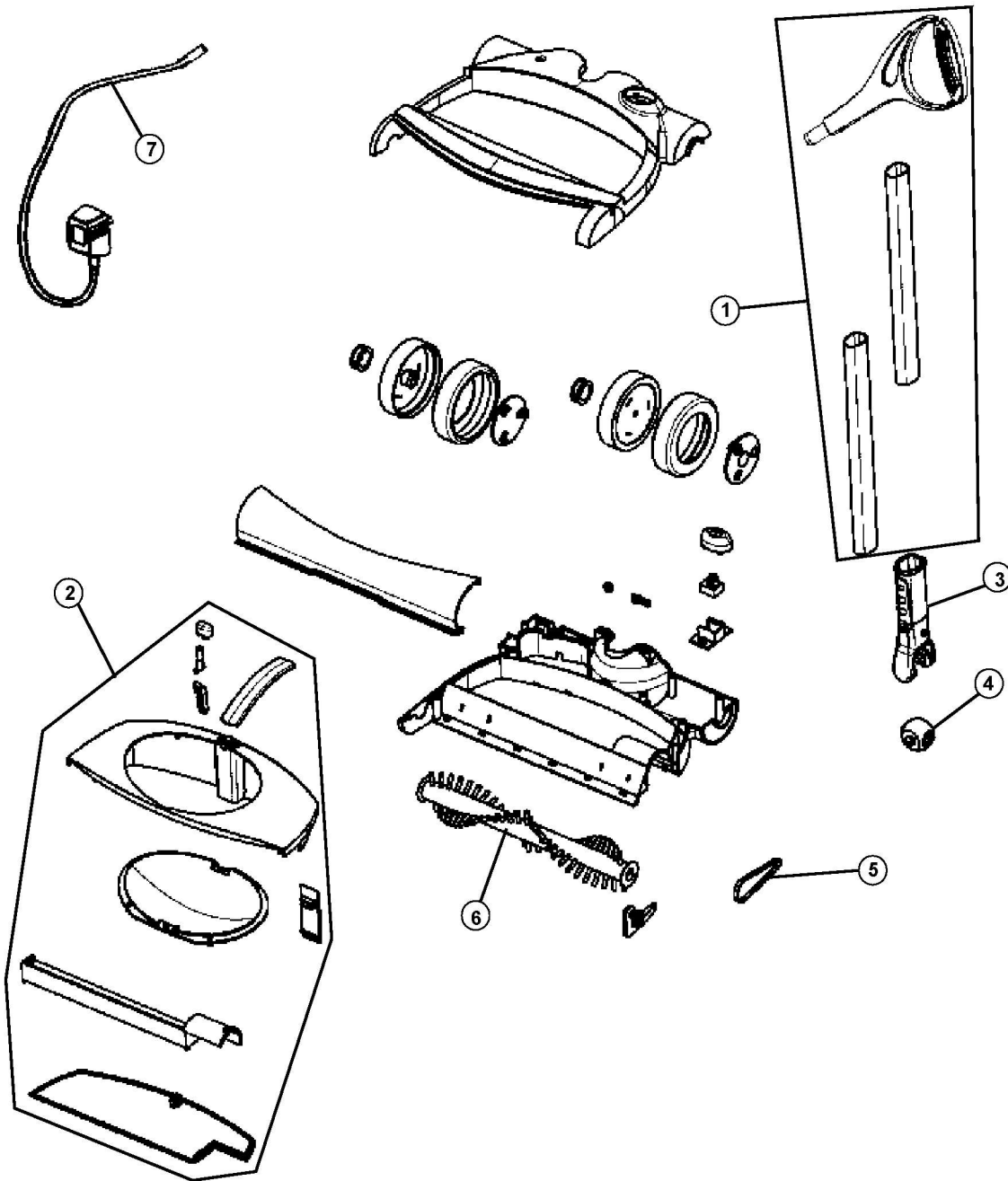




25

Model No.
084450





25

Model No.
084450

Item	Part Number	Models To Fit	Part Description	Net Cost	List Cost
1	2SO1505000	084450	HANDLE ASSEMBLY	7 96	
2	2SO1400000	084450	DUST CUP ASSEMBLY		
3	1SO1350000	084450	HANDLE GRIP PIVOT		
4	1SO1355000	084450	PIVOT		
5	1SO1130000	084450	BELT		
6	2SQ1150000	084450	BRUSH ROLL ASSEMBLY		
7	No Longer	084450	CHARGER ADAPTOR		