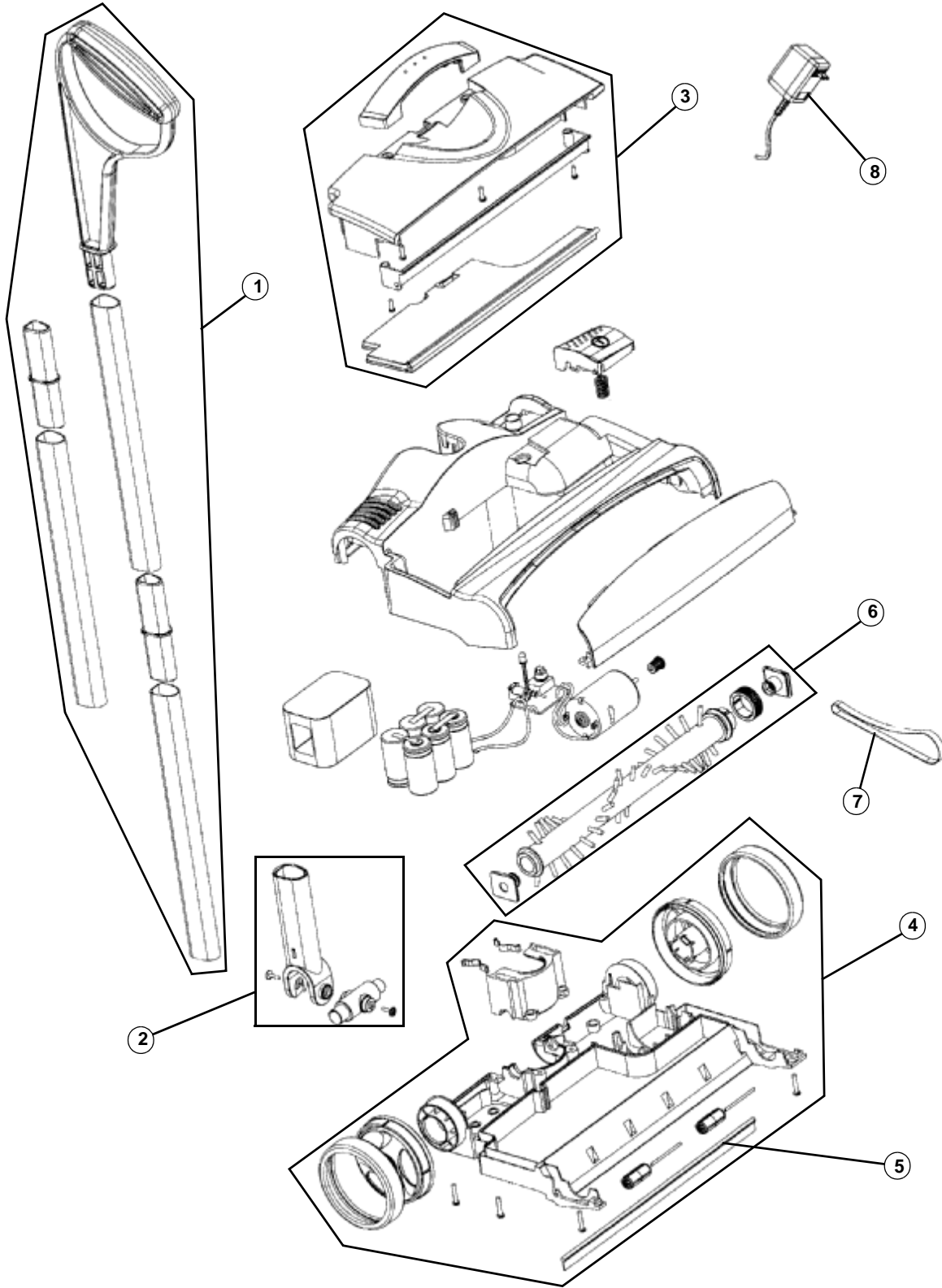


ASSEMBLY SCHEMATIC

MODEL NO.

084460X



PART LISTING

MODEL No.

084460X

Item	Part Number	Models To Fit	Part Description
1	2SU1102000	084460X	HANDLE ASSEMBLY
2	2SU1101000	084460X	PIVOT ASSEMBLY
3	2SU1104000	084460X	DIRT CUP ASSEMBLY
4	2SU1105000	084460X	NOZZLE BASE
5	1SU1101000	084460X	RUBBER STRIP
6	2SU1000000	084460X	BRUSH ROLL ASSEMBLY
7	1SU1000000	084460X	BELT
8	2SU0990000	084460X	CHARGER ASSEMBLY