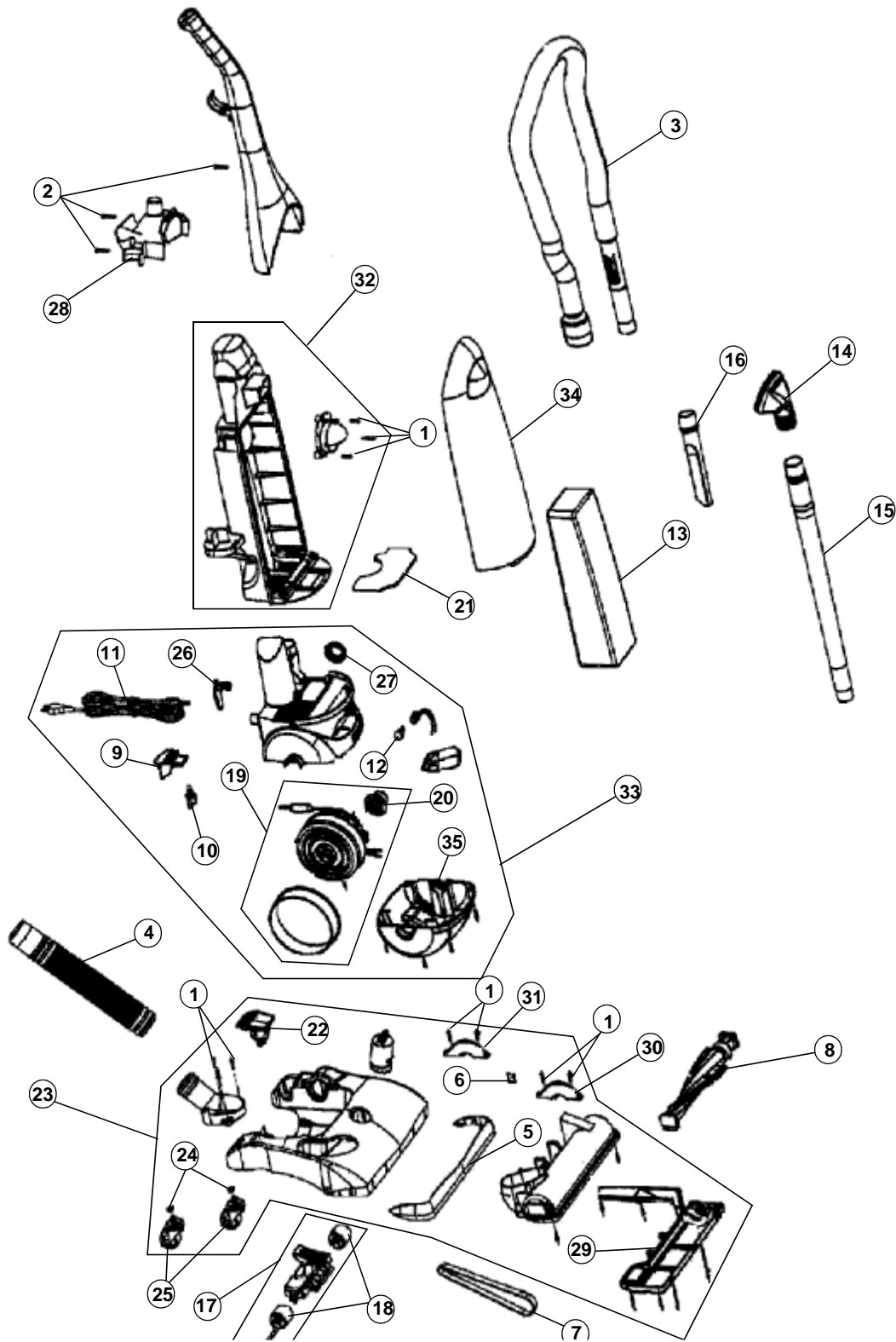


# ASSEMBLY SCHEMATIC

MODEL NO.

085700  
085750CAB



## PART LISTING

Item	Part Number	Model's to Fit	Part Description
1	1720430000	085700, 085750CAB	SCREW
2	2881250000	085700, 085750CAB	HANDLE SCREW ASSEMBLY
3	2881006600	085700, 085750CAB	HOSE ASSEMBLY
4	2JE1015600	085700, 085750CAB	LOWER HOSE ASSEMBLY
5	1881050B00	085700, 085750CAB	BUMPER
6	1720380000	085700, 085750CAB	BELT, GUIDE CLIP
7	1540310001	085700, 085750CAB	STYLE 5 BELT
8**	2881080000	085700	BRUSH ROLL ASSEMBLY SEE NOTES
	2881020000	085700, 085750CAB	BRUSH ROLL ASSEMBLY
9	1881135G00	085700, 085750CAB	SWITCH PEDAL
10	1860081000	085700, 085750CAB	SWITCH
11	1881140600	085700, 085750CAB	POWER CORD
12	1920906000	085700, 085750CAB	BULB
13	3920750001	085700, 085750CAB	TYPE U MICROFRESH BAG / 3 PACK
14	2JC0255600	085700, 085750CAB	2 IN 1 BRUSH ASSEMBLY
15	1402803600	085700, 085750CAB	EXTENSION WAND 1-1/4
16	1JE1200600	085700, 085750CAB	CREVICE TOOL
17	2JE1110600	085700, 085750CAB	ROLLER LIFTER ASSEMBLY
18	1881110600	085700, 085750CAB	FRONT ROLLER - ORDER #17
19	1JE1120000	085700, 085750CAB	MOTOR ASSEMBLY
20	1881130000	085700, 085750CAB	GROMMET
21	1JE1175000	085700, 085750CAB	BAG CHAMBER FILTER
22	1JE1044G00	085700, 085750CAB	HANDLE RELEASE PEDAL
23	2JE1045J00	085700	NOZZLE BASE & COVER ASSEMBLY
	2JE1045	085750CAB	NOZZLE BASE & COVER ASSEMBLY
24	1863054000	085700, 085750CAB	CASTER PAL NUT
25	2912370600	085700, 085750CAB	CASTER ASSEMBLY
26	1720120600	085700, 085750CAB	CORD HOOK
27	1881060600	085700, 085750CAB	PIVOT SEAL
28	1JE1205	085700, 085750CAB	TOOL CADDY
29	1JE1056600	085700, 085750CAB	NOZZLE GUARD
30	1JE1052000	085700, 085750CAB	PIVOT CLAMP RIGHT
31	1JE1051000	085700, 085750CAB	PIVOT CLAMP LEFT
32	1JE5060000	085700, 085750CAB	BAG CHAMBER / BACK PANEL
33	2JE1120000	085700, 085750CAB	COMPLETE MOTOR HOUSING ASSY
34	2JE1185J00	085700	FRONT PANEL ASSEMBLY
	2JE1185	085750CAB	FRONT PANEL ASSEMBLY
35	1881160000	085700, 085750CAB	LOWER MOTOR HOUSING

MODEL No.

085700  
085750CAB