



18

Model No.

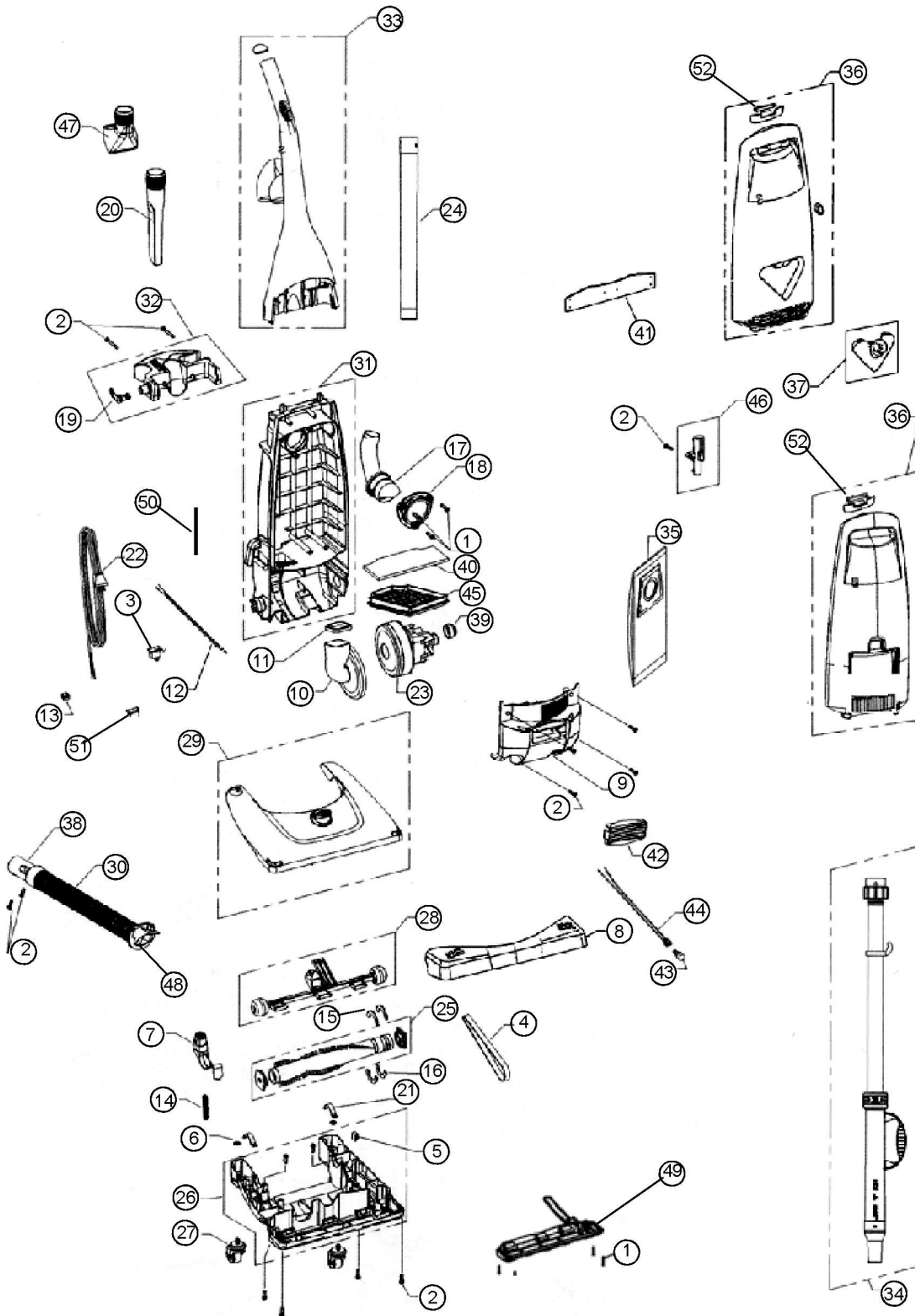
086335

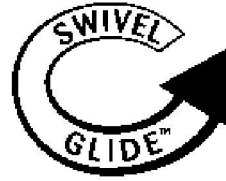
086355

086365

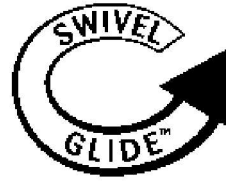
086320C

086325C

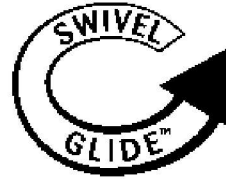




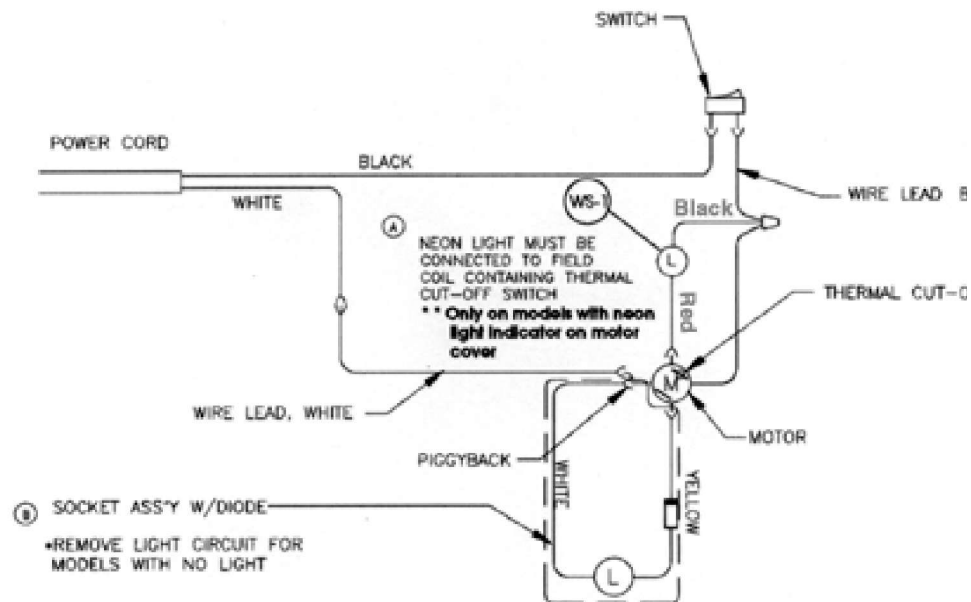
Item	Part Number	Model's To Fit	Part Description
1	1250100000	ALL	SCREW
2	1720430000	ALL	SCREW 811 x 5/8
3	1PA0155B00	ALL	SWITCH PEDAL
4	1863311600	ALL	STYLE 4 BELT
5	1720380000	ALL	BELT GUIDE CLIP
6	1863054000	ALL	CASTER PAL NUT
7	1PA0165B00	ALL	HANDLE RELEASE PEDAL
8	1PA0135B00	ALL	BUMPER, SCUFF GUARD
9	2PA0195600	ALL	MOTOR COVER ASSEMBLY
10	1863109600	ALL	MOTOR AIR DUCT
11	1863112600	ALL	MOTOR DUCT SEAL
12	1863168000	ALL	NEON LAMP
13	1863130600	ALL	STRAIN RELIEF
14	1690350000	ALL	HANDLE RELEASE PEDAL SPRING
15	1PA0116000	ALL	NOZZLE COVER FELT SHORT
16	1PA0115000	ALL	BELT COVER FELT
17	1PA0120600	ALL	HOSE INLET
18	1863337600	ALL	HOSE INLET RETAINER
19	1920015B00	ALL	CORD HOOK
20	1920035600	ALL	CREVICE TOOL
21	1820351600	ALL	PIVOT CLAMP
22	2997125600	ALL	POWERCORD 25 FT
	1088335600	086365	POWERCORD 30 FT
23*	2630172000	ALL	MOTOR 12 AMP see notes
	2630172000	086355,086365	MOTOR 12 AMP ALSO ORDER #10 & #39 *see notes
24	2863360600	086320C,086325C	TELESCOPIC WAND ASSEMBLY
	1402803600	086335, 086355, 086365	EXTENSION WAND
25	2863005000	086320C,086325C, 086335, 086355, 086365	BRUSH ROLL ASSEMBLY
	2863050000	086335, 086355, 086365	BRUSH ROLL ASSEMBLY DOMESTIC MODELS ONLY PLANT CODE: G OR Q
26	1PA0100600	ALL	NOZZLE BASE ASSEMBLY
27	2863038600	ALL	CASTER ASSEMBLY



Item	Part Number	Model's to Fit	Part Description
28	2PA0160B00	ALL	HEIGHT ADJUSTMENT ASSEMBLY
29	2PA0125K00	086320C	NOZZLE COVER ASSEMBLY
	2PA0125E00	086325C	NOZZLE COVER ASSEMBLY
	2PA0125J00	086335	NOZZLE COVER ASSEMBLY
	2PA0125W00	086355	NOZZLE COVER ASSEMBLY
	2PA0125300	086365	NOZZLE COVER ASSEMBLY
30	1PA0170Q00	ALL	LOWER HOSE ASSEMBLY
31	1PA0145600	ALL	BACK PANEL ASSEMBLY
	2PA0245600	086355 series B, 086365	BACK PANEL ASSEMBLY
32	2863175600	ALL	TOOL CADDY ASSEMBLY
33	2863235600	086320C,086325C, 086335,086355	HANDLE ASSEMBLY
		086365	METAL HANDLE ASSEMBLY
34	2PA0405600	ALL	HOSE ASSEMBLY
35	3920750001	ALL	TYPE U MICROFRESH BAGS 3 PACK
36	9864205K00	086320C	FRONT PANEL ASSEMBLY
	9863140E00	086325C	FRONT PANEL ASSEMBLY
	2863152J00	086335	FRONT PANEL ASSEMBLY
	9864205W00	086355	FRONT PANEL ASSEMBLY
	9864205300	086365	FRONT PANEL ASSEMBLY
37	2863320600	086320C,086325C	TRIANGLE TOOL COVER ASSY
38	1PA0140600	ALL	WAND ADAPTOR
39	1863105600	ALL	MOTOR GROMMET
40	1863118000	ALL	BAG CHAMBER FILTER MICROFRESH
	1863115000	ALL DATE CODE OF G04 & NEWER	BAG CHAMBER FILTER NO FILTER FRAME NEEDED
41	1863122000	ALL	FRONT PANEL EXH FILTERMICRO
42	1864225000	ALL	LENS
43	1920906000	ALL	BULB # 906
44	1863221000	ALL	SOCKET ASSY w/DIODE
45	1863420600	ALL DATE CODE OF F04 & OLDER	** FILTER FRAME
46	2864300000	ALL	MECHANICAL FBI
47	2920215600	ALL	2 IN 1 FLOOR TOOL ASSEMBLY
48	1PA0105600	ALL	HOSE CONNECTOR



Item	Part Number	Model's to Fit	Part Description
49	1PA0110600	ALL	NOZZEL GUARD
50	1PA0180600	ALL	BLACK LEAD
51	1860081000	ALL	SWITCH
52	1863147600	ALL	LATCH, FRONT PANEL



Notes

NOTE: When ordering a new motor; #2-630172-000; if an in line thermal protector is you must also order the Black Lead #1-863250-600. New motor has integral thermal two (2) thermal protectors in circuit.

** Models 086320C & 086325C use the Microfresh Filter in the bag chamber. This is when the Filter Support is installed. Failure to use this support can cause ingestion of motor causing damage. The Filter Support may be purchased separately if a consumer low end model to use a Microfresh filter.

***NOTE:** When ordering a new motor; #2-630172-000 for the **086355**; you must also order Duct #1-863109-600 (#10) and the Motor Grommet #1-863105-600 (#39).